
TECHNICAL SPECIFICATIONS

Q4RD Series

Single Packaged Heat Pump, Single Phase

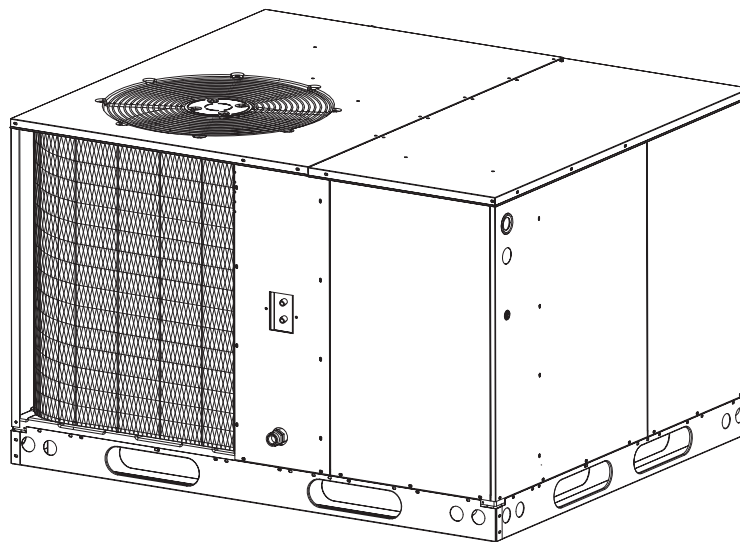
Q4RD-13 SEER

5 Ton Units

Cooling: 55,500 Btuh

Heating: 51,000 Btuh

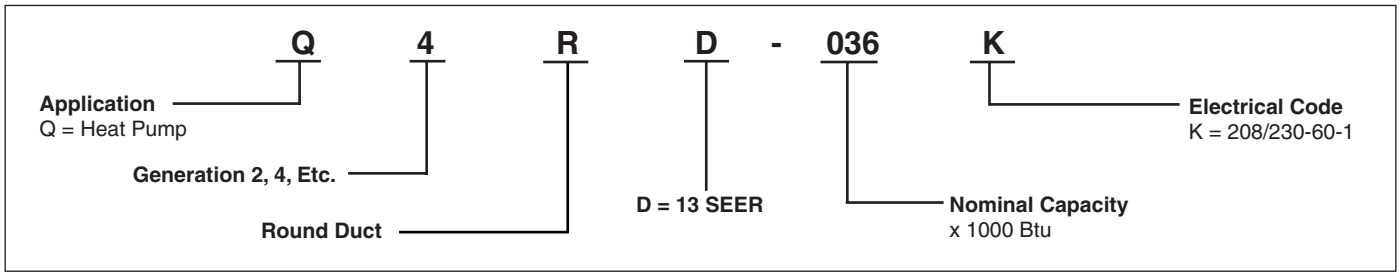
The Q4 Series single packaged heat pumps are high efficiency self contained cooling and heating units that can be installed on a slab. The convertible unit design makes installations simple in all applications. Units are ETL and ETLc listed.



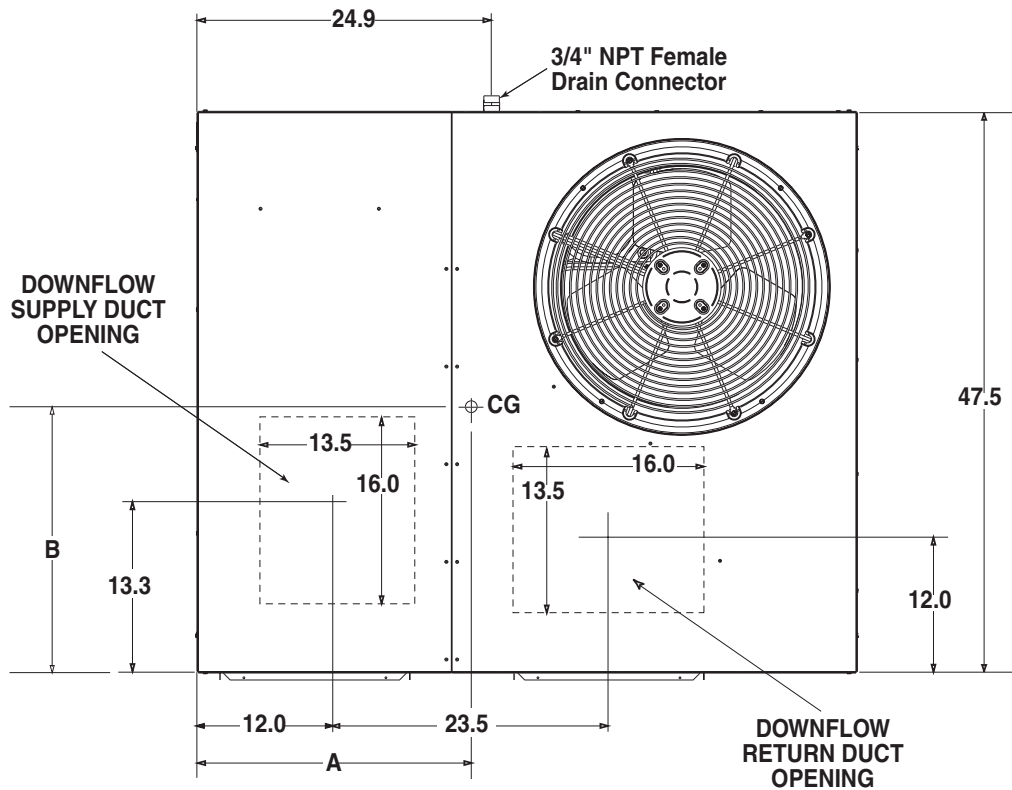
FEATURES AND BENEFITS

- **Compact Footprint/Low Profile**
Easy to handle and transport.
- **Heavy-Gauge, Full Perimeter Base Rails**
Facilitates forklift handling and curb mounting.
- **Convertible Air Delivery**
Horizontal or downflow to accommodate rooftop or horizontal application.
- **Galvanized Steel Cabinet**
with polyurethane finish provides 950 hour salt spray protection.
- **Plastic Coated Coil Guard and Mesh Hail Guard**
Will never rust and protect the coil from being damaged by balls, lawnmowers, hail etc.
- **Externally Accessible Service Ports**
Quick access to refrigerant system without disrupting operation.
- **Access to Controls and Major Components**
Easy in and out service.
- **Corrosion-Resistant Drain Pan**
Quickly drains away evaporator condensate.
- **Service Access Panels**
To all major components and the compressor. Designed to make servicing easier for the Contractor.
- **Easy to Install**
Electric heat strip provides up to 20 KW of heat output.
- **Proven, Industry Standard Components**
Easier service and availability.
- **Quiet Operation**
Low vibration. 20" fan blade combined with custom venturi condenser fan.
- **Adapter Kit**
Mates with 14" round duct connections.
- **Accessories**
Roof curbs, economizers, fresh air dampers and more.
- **1 Year Limited Parts Warranty**
- **1 Year Limited Labor Warranty**
- **5 Year Compressor Warranty**

MODEL IDENTIFICATION CODE



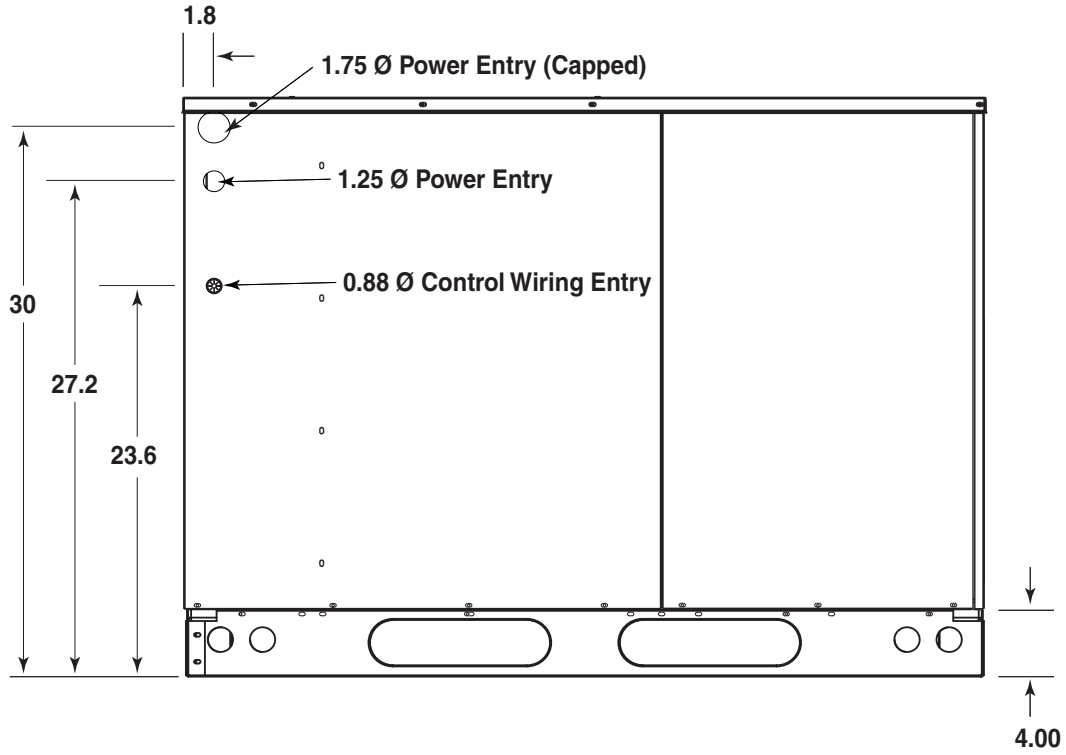
DIMENSIONS



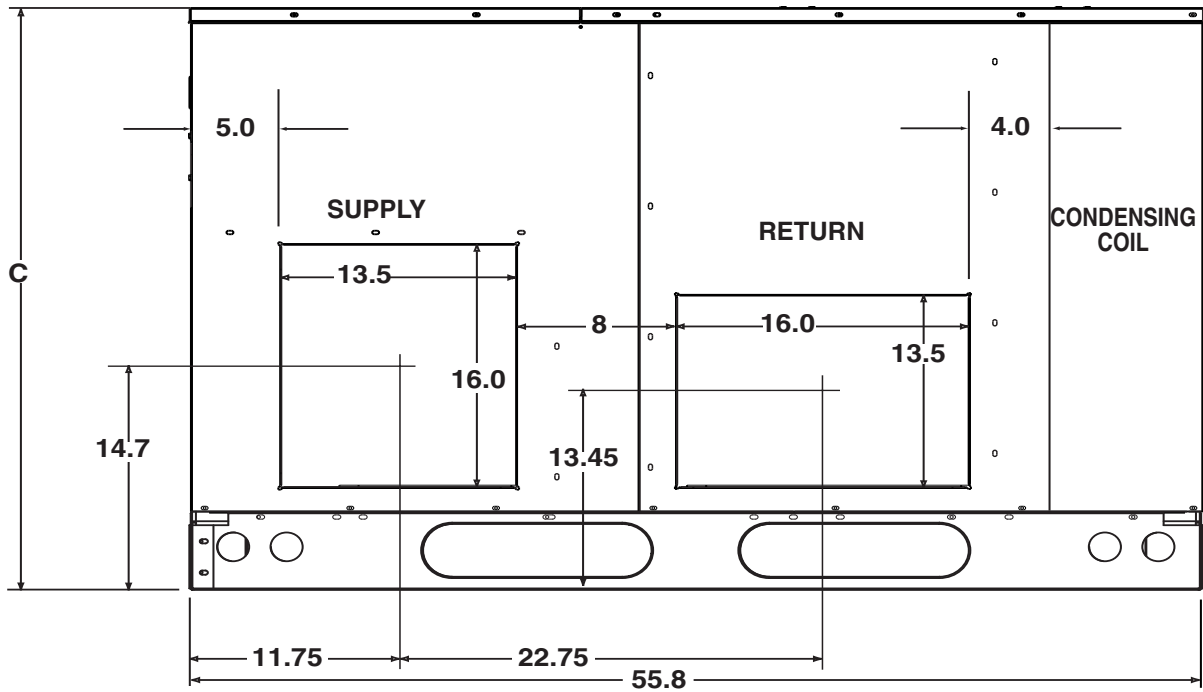
Top View

Model Number Q4RD	Unit Weight	Center of Gravity		Height (in inches)	
		A	B	C	
				with base rails	without base rails
060	580	29.5	26.0	43.0	39.3

DIMENSIONS Continued



Side View

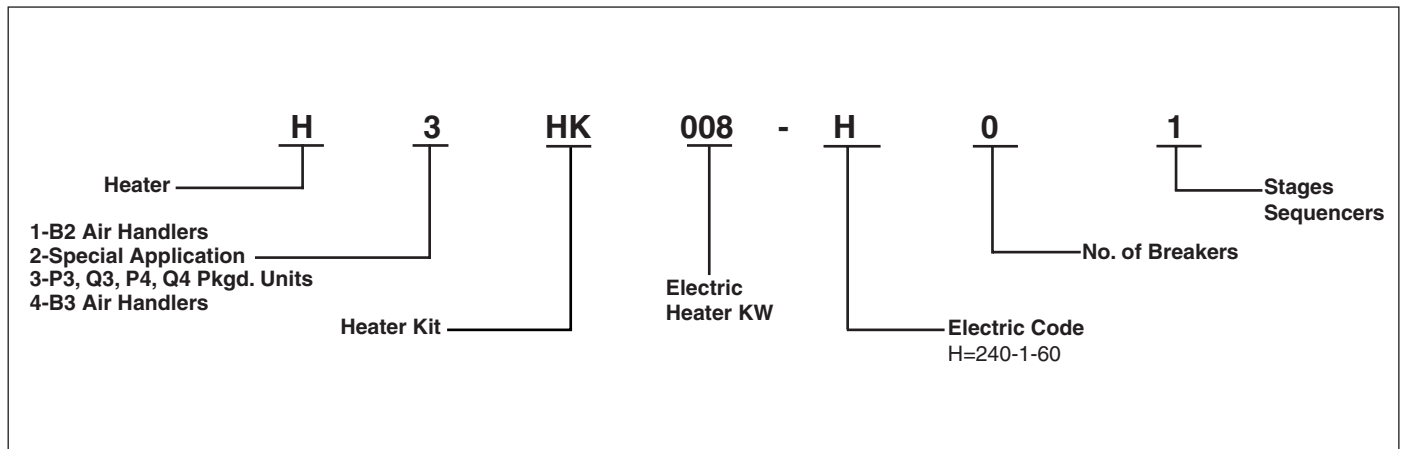


Back (Duct) View

SPECIFICATIONS

Model Number	Q4RD
	060
Performance	
Capacity - Heating BTUH	51,000
Efficiency - HSPF	7.7
Capacity - Cooling BTUH	55,500
Efficiency - SEER	13.00
EER (Btuh/watt)	11.0
Electric Rating - 60Hz (a)	
Phase	1
Operating Voltage Range	187-253
Min. Circuit Ampacity (a)	42.5
Field Wire Size - AWG (a)	6
Total Unit - Amps	35.5
Compressor Data	
Volts	208-230
Rated Load Amps	28.0
Lock Rotor Amps	169
Indoor Blower	
Type	Fixed Torque
Motor HP-RPM Range	3/4-1600
Motor - Amps	6.0
Outdoor Fan	
Motor - HP / RPM	1/3 - 1000
Motor - Amps	1.5
Fan Diameter / CFM	20 / 4000
Refrigerant Charge - Oz.	224
Net Weight lbs.	580
Shipping weight lbs.	590

MODEL IDENTIFICATION CODE



HEATER APPLICATION MATRIX

Model Number Q4R()-060K	H3HK-005H-01	H3HK-008H-01	H3HK-010H-01	H3HK-015H-01	H3HK-020H-01	H3HK-015H-21	H3HK-020H-21
		917166B X(2)	917167B X(2)	917168B X(2)	917169B X(3)	917170B X(3)	917172B X(1)

NA = Not Applicable.
() = Number of internal circuit breaker kits required.

ELECTRICAL DATA

Model Number Q4RD-X60K	Heater Installed Nom. KW	Single Supply Circuit Option						Multiple Supply Circuit Option											
		Circuit A (Compressor & Fan)			Circuit B (Blower & Heater)			Circuit A (60° C Cu)				Circuit B (75° C Cu)				Circuit C (Heater Only)			
		Minimum Circuit Amp.	Rec Wire Gauge (60° C Cu)	Rec Wire Gauge (90° C Cu)	Maximum Over- current Rating*	Minimum Circuit Amp.	Rec Wire Gauge (75° C Cu)	Rec Wire Gauge (90° C Cu)	Maximum Over- current Rating*	Minimum Circuit Amp.	Rec Wire Gauge (60° C Cu)	Rec Wire Gauge (75° C Cu)	Rec Wire Gauge (90° C Cu)	Maximum Over- current Rating*	Minimum Circuit Amp.	Rec Wire Gauge (60° C Cu)	Rec Wire Gauge (75° C Cu)	Rec Wire Gauge (90° C Cu)	Maximum Over- current Rating*
0	42.5	6	8	8	70	-	-	-	-	-	-	-	-	-	-	-	-	-	-
5	67.5	4	4	6	90	36.5	8	8	60	31.8	8	8	8	35	-	-	-	-	-
8	82.1	3	4	4	100	36.5	8	8	60	46.4	6	8	8	50	-	-	-	-	-
10	92.5	2	3	4	110	36.5	8	8	60	56.8	4	6	8	60	-	-	-	-	-
15	117.5	0	1	2	125	36.5	8	8	60	56.8	4	6	6	60	2.5	10	10	10	30
20	142.5	00	0	1	150	36.5	8	8	60	56.8	4	6	6	60	50	6	8	8	60

*When overcurrent rating exceeds 60, internal circuit breakers must be installed in addition to branch circuit protection at distribution panel.

BLOWER PERFORMANCE

Model Number Q4RD	Speed	External Static Pressure Drop-inches water column					
		0.1	0.2	0.3	0.4	0.5	0.6
060	Tap T1	1515	1450	1380	1350	1300	1250
	Tap T2	1580	1520	1460	1400	1360	1300
	Tap T3	1740	1690	1650	1600	1540	1500
	Tap T4	1960	1910	1840	1820	1780	1740
	Tap T5	2090	2050	2010	1975	1940	1900

* Denotes factory set cooling and heat pump speed

** Denotes factory set electric heating speed

Q4RD ACCESSORIES

Description	Part Number
Roof Curb (8")	547830
Roof Curb (14")	547831
Roof Curb (18")	547850
Roof Curb (24")	547851
Supply/return transition, 16"	547834
Supply/return transition, 18"	547835
Concentric diffuser, flush, 16"	547836
Concentric diffuser, flush, 18"	547837
Concentric diffuser, step down 16"	547838
Concentric diffuser, step down 18"	547839
Circuit Breaker, disconnect 3 phase	913740
Manual Fresh Air Damper	547832
Motorized Fresh Air Damper	547840
Economizer, downflow w/filter (does not require filter kit) modulating	547833
Economizer, horizontal modulating	547841
Economizer, horizontal 3-position w/filter	547896
Economizer, downflow 3-position w/filter	547897
Power Exhaust for use with downflow economizer (special order)	547842
Power Exhaust for use with horizontal economizer (special order)	547843
HOOD TYPE HAIL GUARD 34" X 76" P4SA060, P4SC048, 060, Q4SA048, 060, Q4SC036, R4GA048, 060, R4GC030, 036, 042, Q4RD 060	547846
HOOD TYPE HAIL GUARD 38" X 76" Q4SC048, 060, R4GC048, 060, Q4RD 060	547847
CO2 sensors (special order)	547848
DUCT SMOKE DETECTOR PHOTO ELEC	547892
MULTI SIGNAL CONTROL	547893
SAMPLING TUBE ST3	547894
SAMPLING TUBE ST5	547895
Filter Rack, All Downflow Applications (not required with economizer)	547885
Filter Kit (not required with economizer) for Horizontal Applications R4GA 048 - 060, R4GC 030 - 042, P4SA 060, P4SC 048 - 060, Q4SA 048 - 060, Q4SC 036, Q4RD 060	547888
Filter Kit (not required with economizer) R4GC 048 - 060, Q4SC 048 - 060, Q4RD 060	547889
Universal Hard Start Kit	912933
Low Pressure Switch Kit	913551
High Pressure Switch Kit	913550
Low Ambient Kit	913549A
P-Trap Kit	913810
U.S. LP Gas Conversion Kit (0 ft to 10,000 ft above sea level)	904090A
Canadian LP Gas Conversion Kit (0 to 4,500 ft above sea level)	904091A
Outdoor Thermostat Kit	913852



CERTIFICATION APPLIES ONLY WHEN THE COMPLETE SYSTEM IS LISTED WITH ARI

