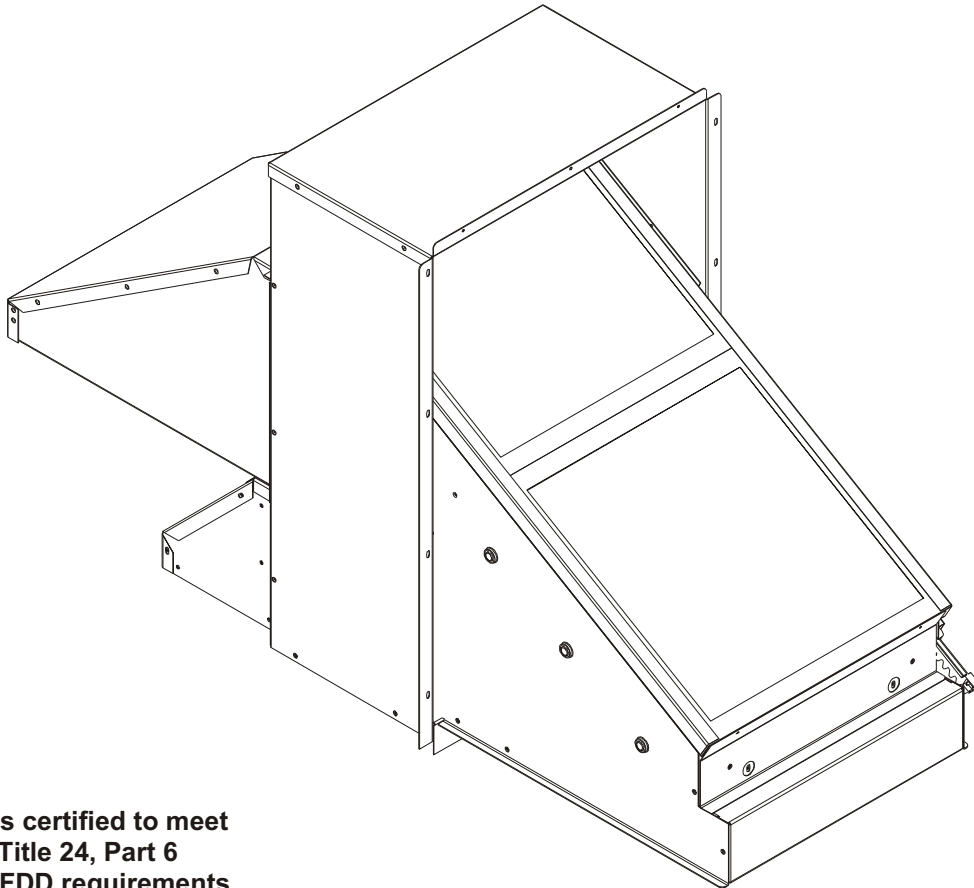


# 2-5 Ton Package Unit Low Leak Modulating Economizer w/ W7220A JADE Control

## Installation Instructions



This product is certified to meet  
California Title 24, Part 6  
Low Leak and FDD requirements

## Downflow Unit Application



### Warning:



Recognize this symbol as an indication of Important Safety Information!

- Read all instructions prior to installation.
- Disconnect electrical power to the unit before servicing.
- Failure to do so can cause electrical shock resulting in personal injury or death.
- Improper installation, adjustment, alteration, service or maintenance can cause injury or property damage. Refer to this manual. For assistance or additional information consult a qualified installer or service agency.

DO NOT DESTROY. PLEASE READ CAREFULLY AND KEEP IN A SAFE PLACE FOR FUTURE REFERENCE