

LP & HIGH ALTITUDE LP GAS CONVERSION KIT FOR INSTALLATIONS IN THE UNITED STATES

INSTALLATION INSTRUCTIONS

For Model Series *G6/PGF1 Furnaces, *L1/PGC1 Furnaces, and *R4/PPG1 Gas/Electric Appliances using Honeywell gas valve only.

IMPORTANT: Read all instructions before beginning the conversion of the appliance.

This conversion kit is only for United States installations to convert a natural gas furnace to an LP/Propane gas application between zero and 10,000 feet above sea level. For Canadian installations, the Canadian conversion kit must be used.

These instructions are primarily intended to assist qualified individuals experienced in the proper installation of this appliance. Some local codes require licensed installation/service personnel for this type of equipment.

WARNING:

This conversion kit should be installed by a qualified service technician in accordance with these instructions and all codes having jurisdiction. Failure to follow these instructions could result in serious injury, property damage, or death. The qualified service technician performing this work assumes responsibility for this conversion.

CAUTION:

All gas piping must conform with local building codes or, in the absence of local codes, with most recent edition of the National Fuel Gas Code ANSI Z223.1. All electrical wiring must comply with the latest edition of the National Electrical Code ANSI/NFPA 70.

WARNING:

DO NOT REMOVE OR DEFACE THE ORIGINAL RATING PLATE.

CAUTION:

The gas supply shall be shut off prior to disconnecting the electrical power, before proceeding with the conversion.

BEFORE STARTING THE CONVERSION

Table 1 is a detailed listing of the components in the LP gas conversion kit. Please check the contents of the conversion kit with that of the parts listing, and familiarize yourself with each component.

IMPORTANT NOTE: When converting a low NOx Furnace from Natural gas to LP/Propane gas, it is necessary to remove the NOx Baffles from the furnace.

Turning Off the Fuel Supply to the Appliance

1. Set the room thermostat to "OFF" or its lowest temperature setting.

DESCRIPTION	Nordyne P/N	QTY
Honeywell Conversion Kit 393691 (to convert VR8205A 2008)	624588	1
Honeywell Conversion Kit 396221 (to convert VR8205S 2288)	624642	1
#54 Drill Size Burner Orifice Kit (contains (6) 661054)	150601	1
#55 Drill Size Burner Orifice Kit (contains (6) 661055)	150602	1
#56 Drill Size Burner Orifice Kit (contains (7) 661056)	272221	1
#57 Drill Size Burner Orifice Kit (contains (7) 661057)	151750	1
#58 Drill Size Burner Orifice Kit (contains (5) 661058)	152221	1
#61 Drill Size Burner Orifice Kit (contains (3) 661061)	270531	1
Conversion Warning Label	703935	1
Conversion Information Label	703942	1
Installation Instructions		1

Table 1. LP Gas Conversion Kit

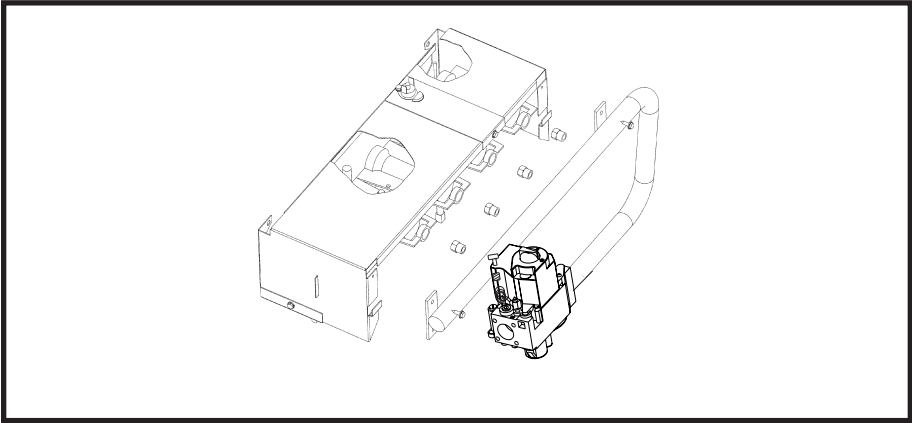


Figure 1. Typical Non-Sealed Burner Box

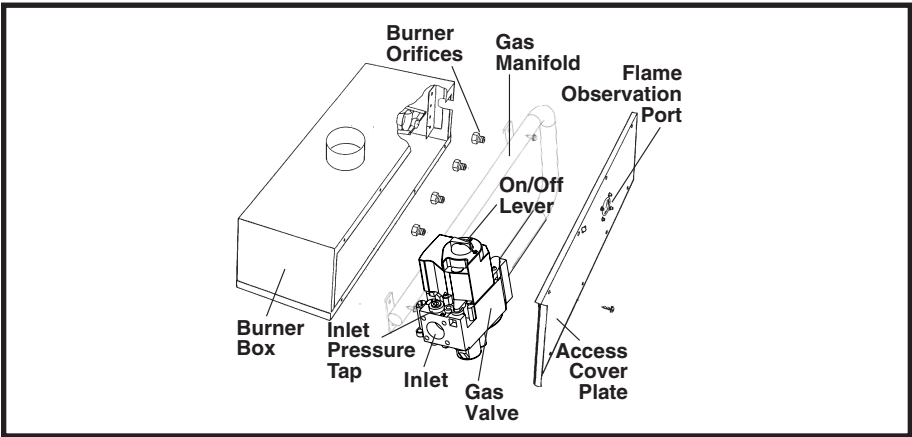


Figure 2. Typical Sealed Burner Box With Access Cover Plate

2. Turn OFF the main gas supply to the unit at the manual valve, outside of the unit casing.
3. Remove the control access panel / louvered door.
4. Move the appliance gas valve lever/knob to the “OFF” position.
5. Turn OFF the electrical power to the appliance.

Removing the Burner Assembly

1. Follow the instructions “To Turn Off the Fuel Supply to the Appliance”.
2. Disconnect the flame sensor wire from the burner box.
3. Disconnect the ignitor wires at the 2 pin plug. This is a locking quick connect and both sides of the lower section must be depressed in order to be separated.

4. Remove the wires from the terminals of the gas valve.
5. If present, disconnect the rubber pressure tubes from the gas valve and the burner box. **NOTE:** Pressure tubes are present only in units with a sealed burner box as shown in Figure 2.
6. If present, remove the burner access cover plate from the burner box. **NOTE:** the burner access cover plate is present only in units with a sealed burner box as shown in Figure 2.
7. Remove supply gas piping from the gas valve.

- Carefully remove the burner assembly fasteners and remove the burner assembly from the appliance. Keep the fasteners that were removed. **NOTE:** The burner box may have hooks near the top and on the right and left hand sides. To remove this type of burner box, lift the burner box upwards and then remove the box from the unit.

Removing the Burner Orifices

- Remove the fasteners that secure the gas manifold to the burner box, as shown in Figures 1 and 2. Carefully remove the gas manifold assembly from the burner box. **NOTE:** The gas manifold assembly consists of the gas valve, the gas manifold, and the orifices.
- Carefully remove the burner orifices from the gas manifold, as shown in Figures 1 and 2.



CAUTION:

Do not re-drill the burner orifices. If the orifice size must be changed, use only new orifices.

Converting the Unit to LP/Propane Gas (For Altitudes Between Zero and 10,000 Feet)

- Examine the rating plate of the unit to determine the rated input (Btu/hr).
- Count the number of burners in the burner box. **NOTE:** Determine the appropriate LP/Propane gas orifice size for your conversion at your altitude using Table 2.
- Install the appropriate LP/Propane gas burner orifices into the gas manifold. When installing the new orifices, **DO NOT** use pipe joint

compound on the orifice threads. Screw the orifices into the manifold by hand until snug to eliminate cross threading, then tighten with a wrench. Before installing an orifice, check the face or side of the orifice for the drill number to ensure that it is the appropriate size.



WARNING:

Do NOT convert an appliance with a Robertshaw Gas Valve using this kit. Robertshaw Gas Valves require different kits that must be ordered through your local factory authorized distributor. Contact your local distributor for the appropriate LP/Propane conversion kit.

- For the conversion to LP/Propane gas from natural gas, the spring in the gas valve must be replaced. The gas valve conversion kit #624588 is used to convert the Honeywell VR8205 series gas valve only, and Conversion Kit #624642 is used with Honeywell Valve Part No. VR8205S 2288 only. Inspect the gas valve that was removed from the unit being converted to determine the manufacturer and series. Install the appropriate gas valve conversion kit using the instructions supplied with the kit.

FURNACE MODEL	INPUT	ALTITUDE ABOVE SEA LEVEL											
		0 to 1,999 FT		2,000 to 2,999 FT		3,000 to 4,999 FT		5,000 to 5,999 FT		6,000 to 7,999 FT		8,000 to 10,000 FT	
		ORIFICE SIZE	MANIFOLD PRESSURE	ORIFICE SIZE	MANIFOLD PRESSURE	ORIFICE SIZE	MANIFOLD PRESSURE	ORIFICE SIZE	MANIFOLD PRESSURE	ORIFICE SIZE	MANIFOLD PRESSURE	ORIFICE SIZE	MANIFOLD PRESSURE
*G6RA/PGF1RA *G6RK/PGF1RK *R4/PPG1	45,000	54	10.0	54	9.0	54	8.5	55	10.0	55	9.0	55	8.5
	60,000	55	10.0	55	9.0	55	8.5	56	10.0	56	9.0	56	8.5
	72,000	54	10.0	54	9.0	54	8.5	55	10.0	55	9.0	55	8.5
	96,000	54	10.0	54	9.0	54	8.5	55	10.0	55	9.0	55	8.5
	120,000	54	10.0	54	9.0	54	8.5	55	10.0	55	9.0	55	8.5
	135,000	53	10.0	53	9.0	53	8.5	54	10.0	54	9.0	54	8.5
*G6RC/PGF1RC *G6RL/PGF1R	44,000	54	10.0	54	9.0	54	8.5	55	10.0	55	9.0	55	8.5
	40,000	55	10.0	55	9.0	55	8.5	56	10.0	56	9.0	56	8.5
	60,000	55	10.0	55	9.0	55	8.5	56	10.0	56	9.0	56	8.5
	80,000	55	10.0	55	9.0	55	8.5	56	10.0	56	9.0	56	8.5
	100,000	55	10.0	55	9.0	55	8.5	56	10.0	56	9.0	56	8.5
	120,000	55	10.0	55	9.0	55	8.5	56	10.0	56	9.0	56	8.5
*G6T/PGF1T R4GD/PPG1GD	60,000	55	10.0	55	9.0	55	8.5	56	10.0	56	9.0	56	8.5
	72,000	54	10.0	54	9.0	54	8.5	55	10.0	55	9.0	55	8.5
	80,000	57	10.0	57	9.0	57	8.5	58	10.0	58	9.0	58	8.5
	92,000	56	10.0	56	9.0	56	8.5	57	10.0	57	9.0	57	8.5
	100,000	55	10.0	55	9.0	55	8.5	56	10.0	56	9.0	56	8.5
	110,000	56	10.0	56	9.0	56	8.5	57	10.0	57	9.0	57	8.5
*L1RA/PGC1RA	120,000	54	10.0	54	9.0	54	8.5	55	10.0	55	9.0	55	8.5
	45,000	57	10.0	57	9.0	57	8.5	61	10.0	61	9.0	61	8.5
	54,000	56	10.0	56	9.0	56	8.5	57	10.0	57	9.0	57	8.5
	72,000	56	10.0	56	9.0	56	8.5	57	10.0	57	9.0	57	8.5
	90,000	56	10.0	56	9.0	56	8.5	57	10.0	57	9.0	57	8.5
	108,000	56	10.0	56	9.0	56	8.5	57	10.0	57	9.0	57	8.5
*L1RC/PGC1RC	128,000	56	10.0	56	9.0	56	8.5	57	10.0	57	9.0	57	8.5
	38,000	55	9.5	55	9.0	55	9.0	55	8.5	56	10.0	56	8.5
	60,000	55	9.5	55	9.0	55	9.0	55	8.5	56	10.0	56	8.5
	80,000	55	9.5	55	9.0	55	9.0	55	8.5	56	10.0	56	8.5
	100,000	55	9.5	55	9.0	55	9.0	55	8.5	56	10.0	56	8.5
	120,000	55	9.5	55	9.0	55	9.0	55	8.5	56	10.0	56	8.5

Table 2. Burner Orifice & Manifold Pressures

Instructions for Converting Honeywell Valve Part No. VR8205S 2288 to LP/Propane Gas

1. Turn off gas supply at the appliance service valve.
2. When converting this valve, use conversion kit part number 624642 ONLY.
3. Remove the pressure regulator adjustment screw (located underneath the cap screw). For condensing furnaces, the Pressure Regulator Adjustment is located underneath the brass fitting (see Figure 3).
4. Remove the existing spring.
5. Insert the replacement spring.
6. Reinstall the plastic pressure regulator adjustment screw.
7. Check and adjust the regulator setting using a manometer.
8. Continue conversion per manufacturers instructions.

Reinstalling the Burner Assembly

1. Reinstall the gas manifold assembly to the burner box with the fasteners, which were removed earlier.
2. Carefully reinstall the burner box into the unit. After installing the burner box, inspect the alignment of the burners with the heat exchanger tubes. The center of the burners should be aligned with the center of the tubes.
3. Reconnect the gas piping to the gas valve.
4. Reconnect the wires to the gas valve terminals.
5. Reconnect the rubber pressure tubes to the gas valve and the burner box. Reinstall the burner access cover plate. Note that this step is only for the sealed burner box, shown in Figure 2.
6. Reconnect the ignitor at the 2 position plug.
7. Reconnect the flame sensor wire to the burner box.

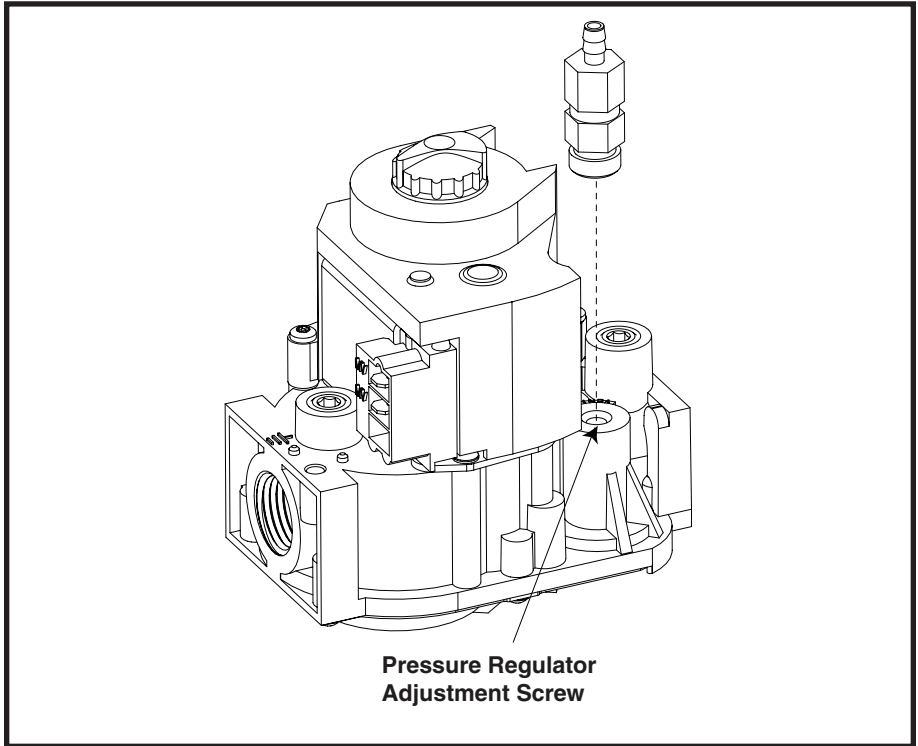


Figure 3. Pressure Regulator Adjustment Screw Location (VR8205S 2288)

GAS PRESSURE ADJUSTMENT

Checking the Supply Gas Pressure

1. Turn OFF the gas supply to the unit at the manual valve located outside of the unit.
2. With a 3/16 inch Allen wrench, remove the INLET pressure tap plug located on the INLET side of the gas valve, refer to Figure 4 for more details.
3. Connect a U-tube manometer to the INLET pressure tap.
4. Turn ON the main gas supply at the manual valve.
5. Check and adjust the incoming gas line pressure to 11.0-14.0 inches WC for LP/ Propane gas.
6. Turn OFF the gas supply to the unit at the manual valve located outside of the unit.
7. Disconnect the U-tube manometer and replace the INLET pressure tap plug. Be sure that the plug is tight and not cross-threaded.

Lighting & Adjustment of the Appliance

1. Turn ON the gas at the manual valve, outside of the unit.
2. Check all gas connections for leaks with a soap and water solution. If the solution bubbles there is a gas leak which must be corrected. DO NOT use an open flame to check for gas leaks.
3. Turn ON the electrical power to the appliance.
4. Move the gas valve lever/knob to the "ON" position. The lever/knob must be moved to the end of its range of motion to insure the valve is completely open. Use only your hand to push in or turn the gas control valve. Never use tools.
5. Set the room thermostat above room temperature to begin the heating cycle of the unit.
6. Check that the unit ignites and operates properly. Refer to the installation instructions provided with your unit for the normal operating sequence.
7. After the flame ignites, visually inspect the burner assembly to ensure that the flame is drawn directly into the center of the heat exchanger tube as shown in Figure 5. The end of the flame will be out of sight around

the bend of the heat exchanger tube. In a properly adjusted burner assembly, the flame color should be blue with some light yellow streaks near the outer portions of the flame.

NOTE: Until all of the air is bled out of the gas line, the hot surface ignitor may not ignite the gas. If the ignition control locks out, turn the thermostat to its lowest setting and wait one minute then turn the thermostat to a point above room temperature and the ignitor will try again to ignite the main burners. This process may have to be repeated several times before the burners will ignite. After the burners light, check all gas connections for leaks again with the soap and water solution. If the solution bubbles there is a gas leak which must be corrected. Do not use an open flame to check for gas leaks.

Checking the Manifold Pressure

The manifold pressure must be measured by installing a pressure gauge or U-tube manometer to the outlet end of the gas valve as follows:

1. With a 3/16 inch Allen wrench, remove the manifold pressure tap plug located on the outlet side of the gas valve. Refer to Figure 4.
2. A fitting, which has a 1/8 inch NPT pipe thread that is compatible with the pressure gauge or U-tube manometer, must be installed at this point.
3. Install the pressure gauge or U-tube manometer according to the manufacturer's supplied instructions.
4. Set the room thermostat above room temperature to start the furnace.
5. Allow the furnace to operate for three (3) minutes and then check the manifold pressure. Compare the measured value with the value shown in Table 2. If the manifold pressure is not set to the appropriate pressure, then it must be adjusted.

Adjusting the Manifold Pressure

1. If the manifold pressure must be adjusted, remove the protective cap or fitting from the top of the gas valve regulator, as shown in Figures 3 and 4.
2. Using a short screwdriver, turn the adjustment screw to obtain the manifold pressure appropriate for your installation.

NOTE: Turning the screw clockwise increases the pressure, turning the screw counter-clockwise decreases the pressure.

3. Replace and tighten the protective cap over the adjustment screw, or replace the fitting and hose.

Removing the Pressure Gauge or U-tube Manometer

After the manifold pressure has been properly adjusted, the pressure gauge or U-tube manometer must be removed from the gas valve.

1. Turn the thermostat to its lowest setting.
2. Turn OFF all of the electrical power supplies to the unit.
3. Turn OFF the main gas supply to the unit at the manual shut-off valve, which is located outside of the unit.
4. Remove the manometer adapter from the gas valve and replace it with the 1/8 inch NPT manifold pressure plug that had been removed earlier. Ensure that the plug is tight and not cross-threaded.
5. Turn ON the electrical power to the unit.
6. Turn ON the main gas supply to the unit at the manual shut-off valve.

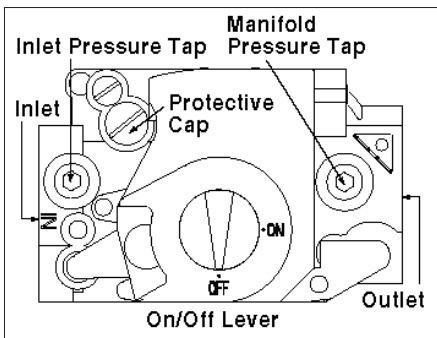


Figure 4. Gas Valve (Honeywell shown)

COMPLETING THE CONVERSION

1. Affix the conversion warning label (#703935) provided in the kit to the outside of the unit door. Next, affix the conversion information label (#703942) near the rating plate on the inside of the control area. Finally, affix the gas valve conversion label found in the Gas Valve Conversion Kit on the gas valve. Each label should be prominent and visible after installation.
2. Reinstall the appliance control panel/door.
3. Run the appliance through three complete cycles to assure proper operation.

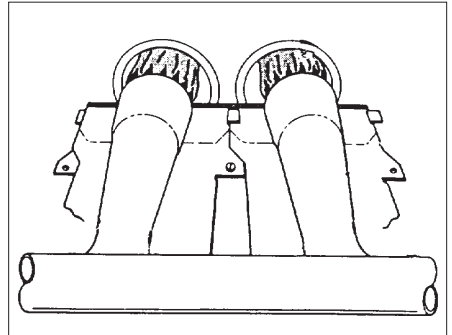


Figure 5. Burner Inspection

INSTALLER: Do Not Discard These Instructions. After completing the installation, return these instructions to the Homeowner's Package for owner-user's future reference.

Specifications & illustrations subject to change without notice or incurring obligations (07/23).
O'Fallon, MO, © Nortek Global HVAC LLC 2023.
All Rights Reserved.



10459760
(Replaces 708339B)