

# WIRING DIAGRAM

## Two Stage Split Air Conditioner (Outdoor Section) With Two Speed Outdoor Fan Motor

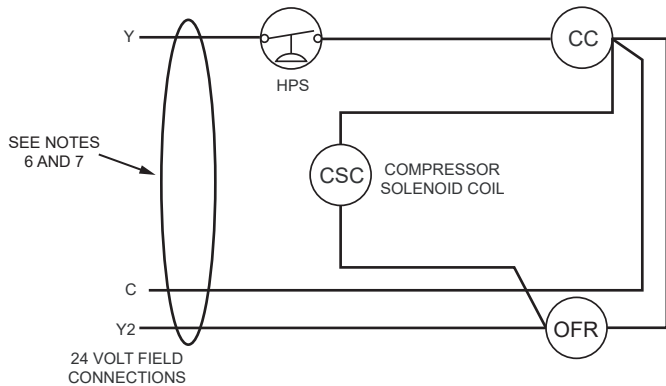
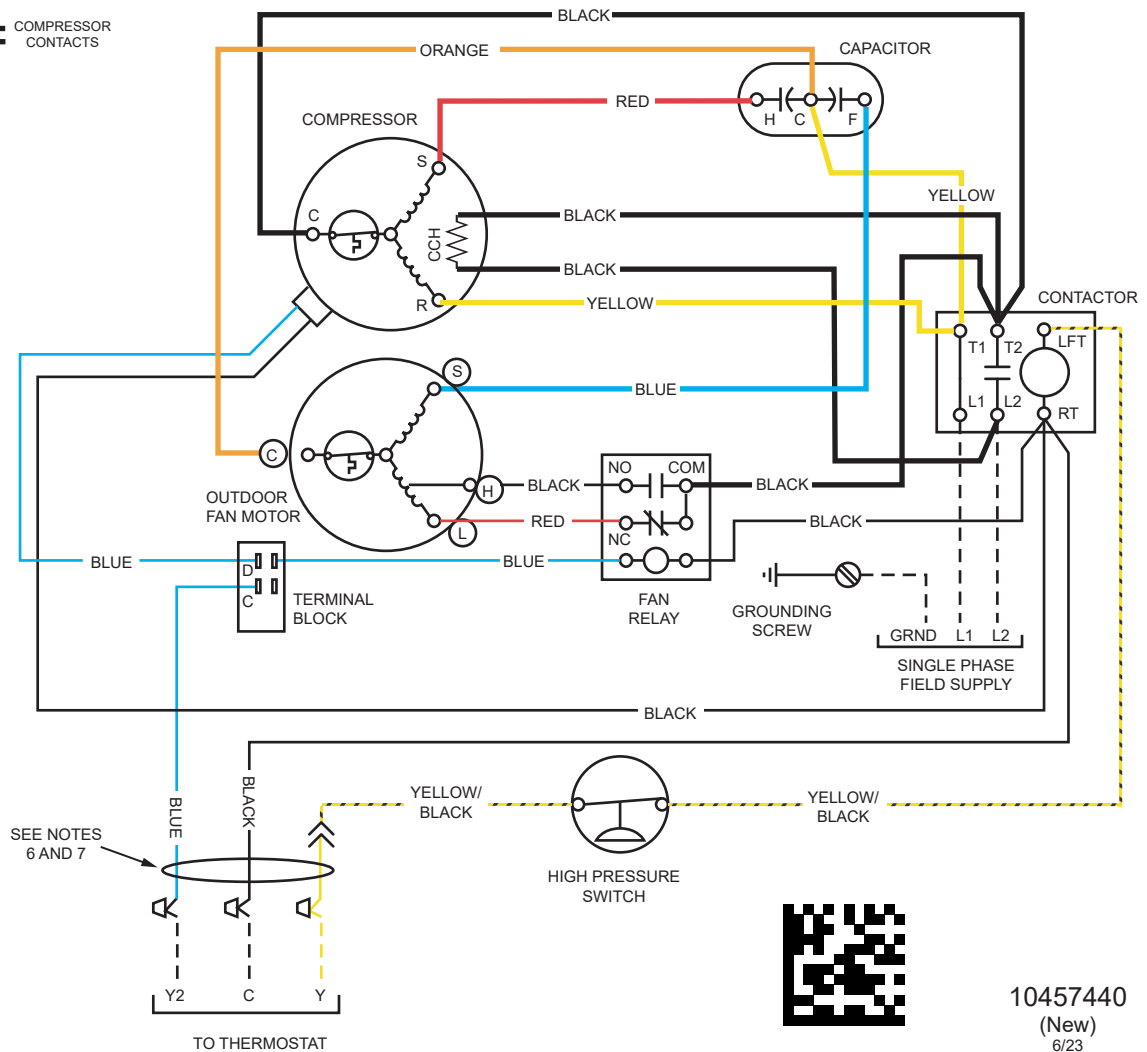
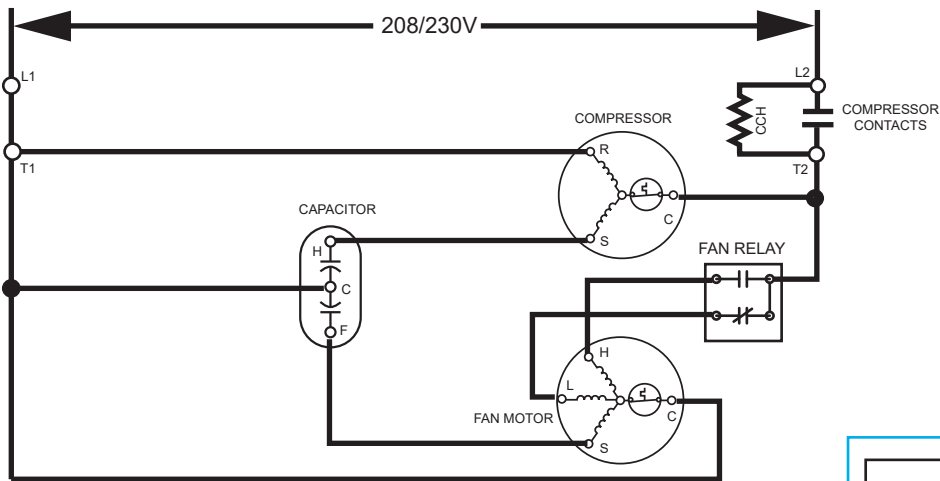
208/230V

Single Phase / 60 Hz.

### NOTES:

1. Disconnect all power before servicing.
2. For supply connections use copper conductors only.
3. Not suitable on systems that exceed 150 volts to ground.
4. For replacement wires use conductors suitable for 105
5. For ampacities and overcurrent protection, see unit rating plate.
6. Connect to 24 vac/40va/class 2 circuit. See furnace/airhandler installation instructions for control circuit and optional relay/transformer kits.
7. Caution: The Low Voltage wiring shall NOT be grounded to this unit.

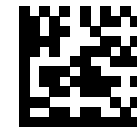
1. Couper le courant avant de faire leretien.
2. Employez uniquement des conducteurs en cuivre.
3. Ne convient pas aux installations de plus de 150 volt a la terre.



### LEGEND:

FIELD WIRING - - - -  
LOW VOLTAGE ————  
HIGH VOLTAGE ————

CC - Contactor Coil  
CCH - Crankcase Heater  
HPS - High Pressure Switch  
CSC - Compressor Solenoid Coil  
OFR - Outdoor Fan Relay Coil



10457440  
(New)  
6/23