

# INSTALLATION INSTRUCTIONS

## Instructions For The Mounting of Replacement Samsung Compressors

### IMPORTANT SAFETY INFORMATION

Please read all instructions before servicing this equipment. Pay attention to all safety warnings and any other special notes highlighted in the manual. Safety markings are used frequently throughout this manual to designate a degree or level of seriousness and should not be ignored. **WARNING** indicates a potentially hazardous situation that if not avoided, could result in personal injury or death. **CAUTION** indicates a potentially hazardous situation that if not avoided, may result in minor or moderate injury or property damage.

- These instructions are primarily intended to assist qualified individuals experienced in the proper installation of this appliance. Some local codes require licensed installation/service personnel for this type of equipment.
- Please read all instructions carefully before starting the installation. If a problem occurs, check the instructions and follow recommendations given.
- The information shown in these instructions must be followed during the installation of this kit. Unqualified individuals should not attempt to interpret these instructions or install this equipment. If you do not possess mechanical skills or tools, call your local dealer for assistance.

### ABOUT THE INSTALLATION

Depending on the date of manufacture, the unit whose compressor is being replaced may either have hole patterns in the base pan for both 3 legged and 4 legged compressors OR may only have hole patterns for 4 legged compressors. If the unit only has hole patterns for 4 legged compressors then a few extra steps are necessary when replacing a 4 legged compressor with a 3 legged one. Those additional steps are outlined on the next page.

### ⚠ WARNING

**Installing and servicing HVAC equipment can be hazardous due to gas, electrical, or refrigerant components. Observe all precautions in the literature, and on tags and labels attached to the unit. Follow all safety codes. Failure to follow safety recommendations could result in possible damage to the equipment, serious personal injury or death.**

### ⚠ WARNING

#### ELECTRICAL SHOCK, FIRE OR EXPLOSION HAZARD

**Failure to follow safety warnings exactly could result in serious injury, death or property damage.**

**Improper servicing could result in dangerous operation, serious injury, death or property damage.**

- Before servicing, disconnect all electrical power to the equipment.
- When servicing controls, label all wires prior to disconnecting. Reconnect wires correctly.
- Verify proper operation after servicing.

**DO NOT DESTROY. PLEASE READ CAREFULLY & KEEP IN A SAFE PLACE FOR FUTURE REFERENCE.**

### ⚠ AVERTISSEMENT

#### RISQUE DE CHOC ÉLECTRIQUE, D'INCENDIE OU D'EXPLOSION

**Le non-respect des avertissements de sécurité pourrait entraîner un fonctionnement dangereux de l'appareil, des blessures graves, la mort ou des dommages matériels.**

**Un entreteïn incorrect pourrait entraîner un fonctionnement dangereux de l'appareil, des blessures graves, la mort ou des dommages matériels**

- Couper toute alimentation électrique à l'équipement et avant de prodéder aux travaux d'entreteïn.
- Au moment de l'entreteïn des commandes, étiquetez tous les fils avant de les débrancher. S'assurer de les raccorder correctement.
- S'assurer que l'appareil fonctionne adéquatement après l'entreteïn.

**NE PAS DÉTRUIRE. VEUILLEZ LIRE ATTENTIVEMENT ET CONSERVER EN UN LIEU SÛR POUR RÉFÉRENCE ULTÉRIEURE.**

**PACKAGE UNITS**  
(sheet metal base pan)

**Case 1:** Unit has hole pattern for both 3 legged compressors and 4 legged compressors. See [Figure 1](#).

**⚠ WARNING:**

**To avoid electric shock, personal injury, or death, turn off the electric power at the disconnect or the main service panel before making any electrical connections.**

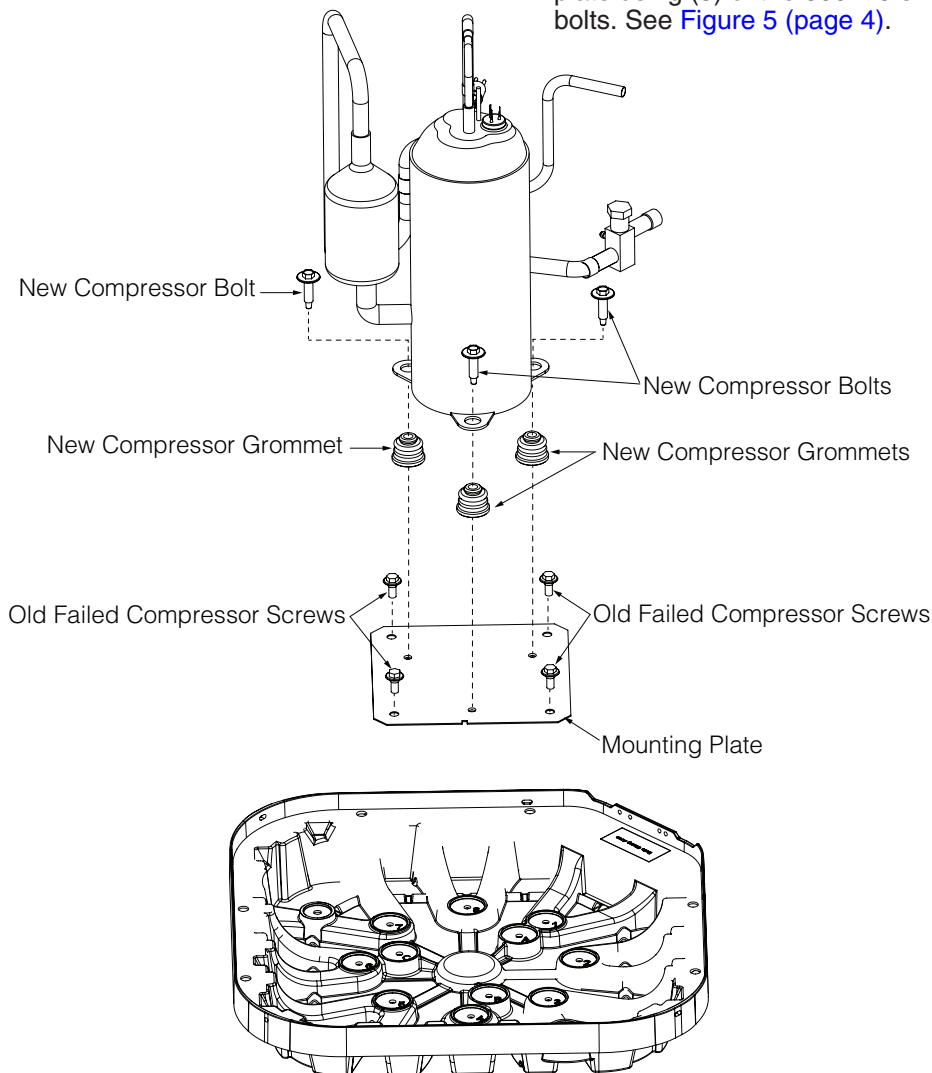
1. Turn off all electrical power to the appliance.
2. Remove old compressor.
3. Install new 3 legged compressor using the appropriate holes in the sheet metal base pan and using (3) of the 600419 compressor bolts. See [Figure 5 \(page 4\)](#).

**Case 2:** Unit only has hole patterns for 4 legged compressors.

**⚠ WARNING:**

**To avoid electric shock, personal injury, or death, turn off the electric power at the disconnect or the main service panel before making any electrical connections.**

1. Turn off all electrical power to the appliance.
2. Remove old compressor.  
*If replacing a 4-leg compressor with a 3-leg compressor, and the base pan does not have raised bosses for the 3-leg compressor, reuse the compressor mounting bolts from the failed compressor to attach the mounting plate to the base pan.*
3. Install the supplied sheet metal compressor mounting plate to the composite base pan, using the appropriate holes in the base pan (4 legged compressor hole pattern) and (4) 600469 mounting plate bolts. See [Figure 3 \(page 4\)](#).
4. Install the new 3 legged compressor to the mounting plate using (3) of the 600419 sheet metal compressor bolts. See [Figure 5 \(page 4\)](#).



**Figure 1. Compressor Mounting For Split Systems**

## SPLIT SYSTEMS (composite base pan)

**Case 1:** Unit has hole pattern for both 3 legged compressors and 4 legged compressors. See [Figure 2](#).

### **WARNING:**

**To avoid electric shock, personal injury, or death, turn off the electric power at the disconnect or the main service panel before making any electrical connections.**

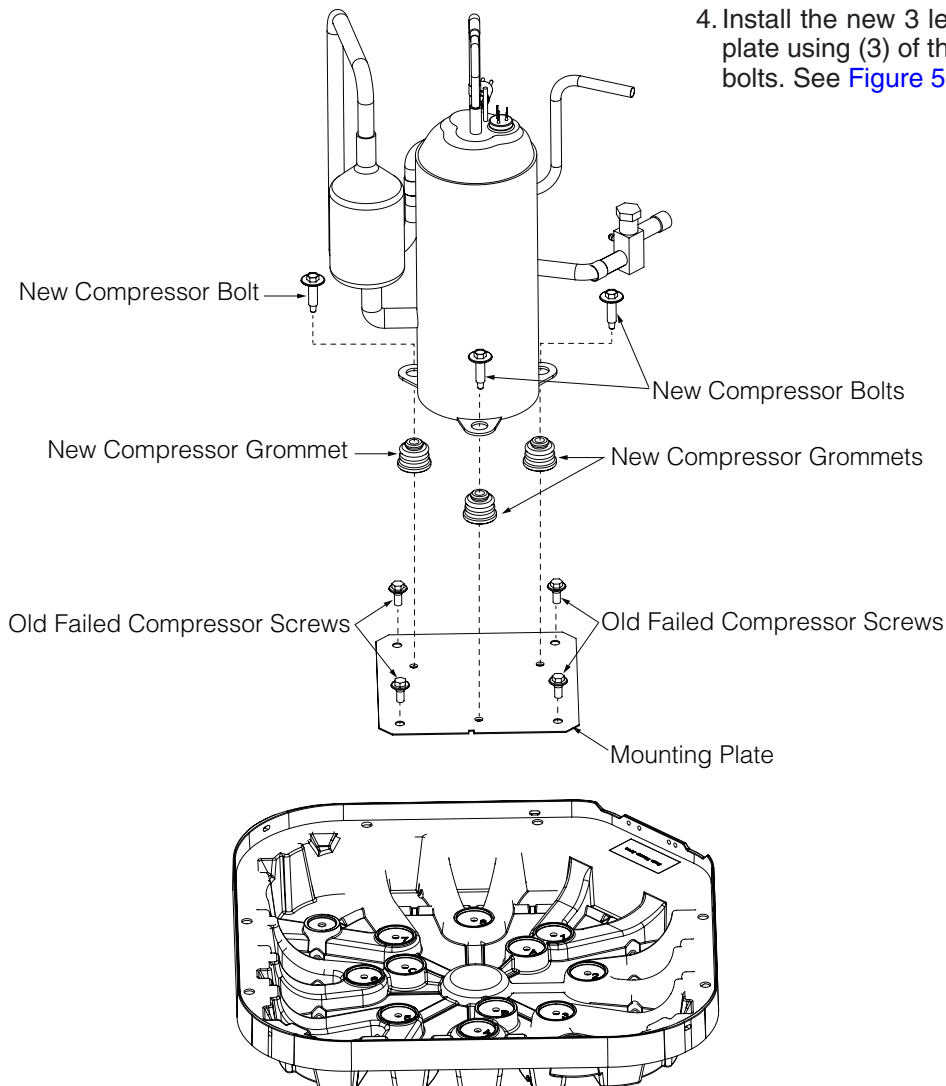
1. Turn off all electrical power to the appliance.
2. Remove old compressor.
3. Install new 3 legged compressor using the appropriate holes in the composite base pan and using (3) of the 600428 composite base pan compressor bolts. See [Figure 4 \(page 4\)](#).

**Case 2:** Unit only has hole patterns for 4 legged compressors

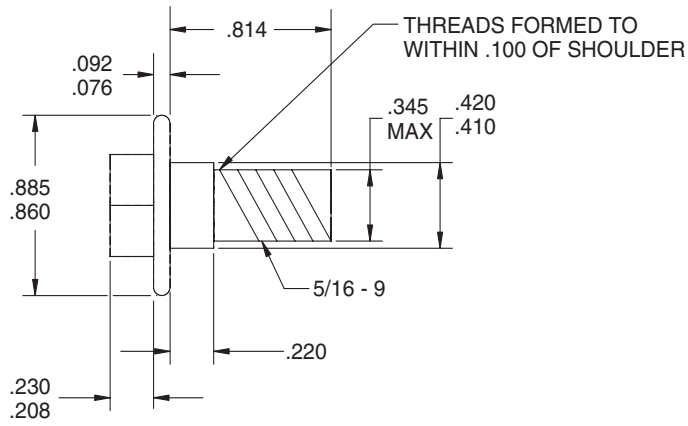
### **WARNING:**

**To avoid electric shock, personal injury, or death, turn off the electric power at the disconnect or the main service panel before making any electrical connections.**

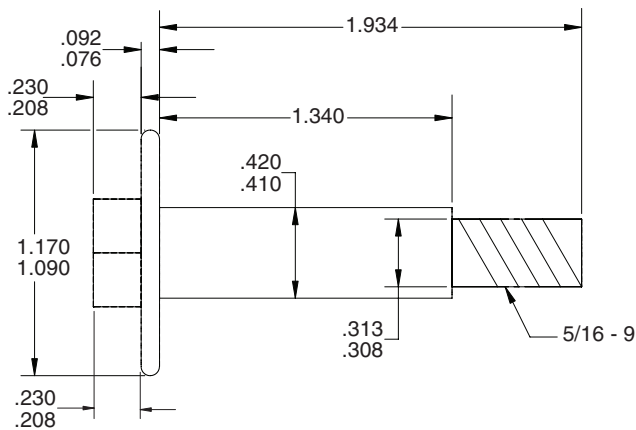
1. Turn off all electrical power to the appliance.
2. Remove old compressor.  
*If replacing a 4-leg compressor with a 3-leg compressor, and the base pan does not have raised bosses for the 3-leg compressor, reuse the compressor mounting bolts from the failed compressor to attach the mounting plate to the base pan.*
3. Install the supplied sheet metal compressor mounting plate to the composite base pan, using the appropriate holes in the base pan (4 legged compressor hole pattern) and (4) 600469 mounting plate bolts. See [Figure 3 \(page 4\)](#).
4. Install the new 3 legged compressor to the mounting plate using (3) of the 600419 sheet metal compressor bolts. See [Figure 5 \(page 4\)](#).



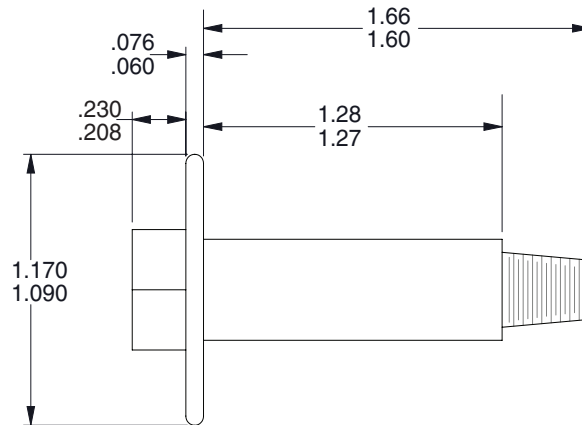
**Figure 2. Compressor Mounting For Split Systems**



**Figure 3. Mounting Plate Bolt (P/N 600469)**



**Figure 4. Composite Base Pan Compressor Bolt (P/N 600428)**



**Figure 5. Sheet Metal Compressor Bolt (P/N 600419)**

