

Offset Coupling Replacement Kit For G6RC Series Furnaces

INSTALLATION INSTRUCTIONS

KIT CONTENTS	
QUANTITY	DESCRIPTION
2	22.5° Street Elbows
1	Straight Rubber Coupling
2	Hose Clamps

Read these installation instructions thoroughly before proceeding with the inducer replacement. These instructions are primarily intended to assist qualified individuals experienced in the proper vent pipe installations of this appliance.

WARNING:

FIRE OR EXPLOSION HAZARD

- Failure to follow safety warnings exactly could result in serious injury or property damage.
- Replacement of the offset coupling must be performed by a qualified installer, service agency or the gas supplier. Improper installation, alteration, service or maintenance can cause injury or property damage.

WHAT TO DO IF YOU SMELL GAS

- Do not try to light any appliance.
- Do not touch any electrical switch; do not use any phone in your building.
- Leave the building immediately.
- Immediately call your gas supplier from a neighbor's phone. Follow the gas supplier's instructions.
- If you cannot reach your gas supplier, call the fire department.

REPLACING THE OFFSET COUPLING

WARNING:

Upon completion of the furnace installation, carefully inspect the entire flue system both inside and outside the furnace to assure it is properly sealed. Leaks in the flue system can result in serious personal injury or death due to exposure of flue products, including carbon monoxide.

1. Set the thermostat to the OFF position or to its lowest setting.
2. Turn off all electrical power to the furnace.
3. Loosen the hose clamps holding the offset coupling to the inducer and to the inline drain assembly and remove the coupling. See Figure 1.
4. Slide the rubber coupling supplied with the kit over the end of the inducer and secure it with one of the hose clamps ensuring a leak free connection.
5. Slide one of the 22.5° PVC elbows into the other end of the rubber coupling.

IMPORTANT NOTE:

Before permanently installing the components in steps 6 & 7, it is recommended you dry-fit them first to ensure proper fit and alignment with other vent pipes.

6. Dry fit the other PVC elbow to the installed elbow so that the opening of the second elbow lines up with the inline drain.
7. Dry fit second elbow to the inline drain assembly and make sure that everything is properly aligned.
8. Permanently bond the elbows and the inline drain assembly together using appropriate primer and cement.
NOTE: The cement must conform to ASTM Standard D2564 for PVC. PVC primer must meet standard ASTM F656. In Canada, cement, cleaners, or primers must be certified as a system to ULC S636.
9. Secure the bottom elbow to the rubber coupling using the remaining hose clamp ensuring a leak free connection.
10. Verify proper furnace operation by following the startup procedures in the furnace installation instructions, user's manual and/or operating instruction label.

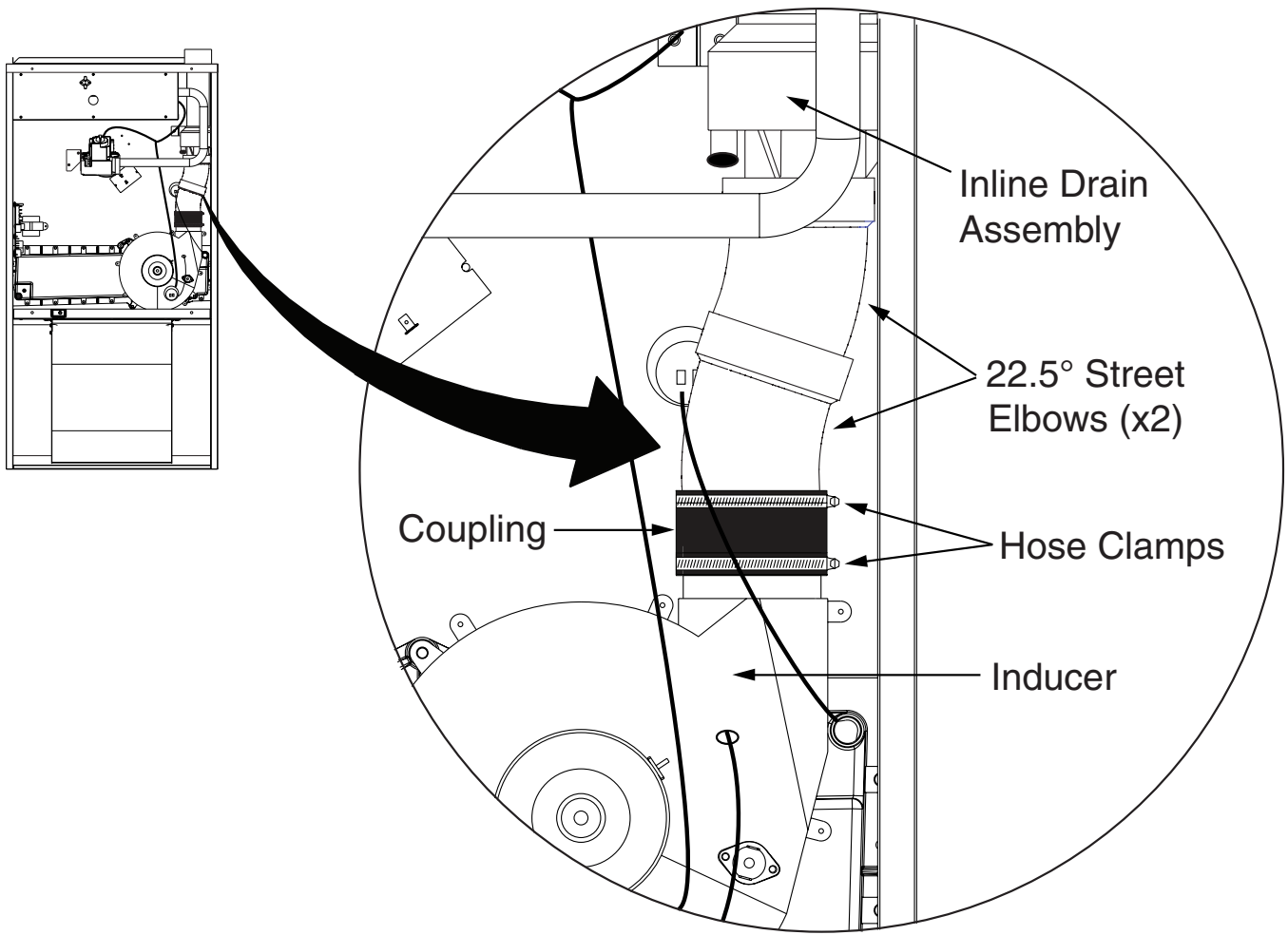


Figure 1. Coupling Installation

