

# WIRING DIAGRAM

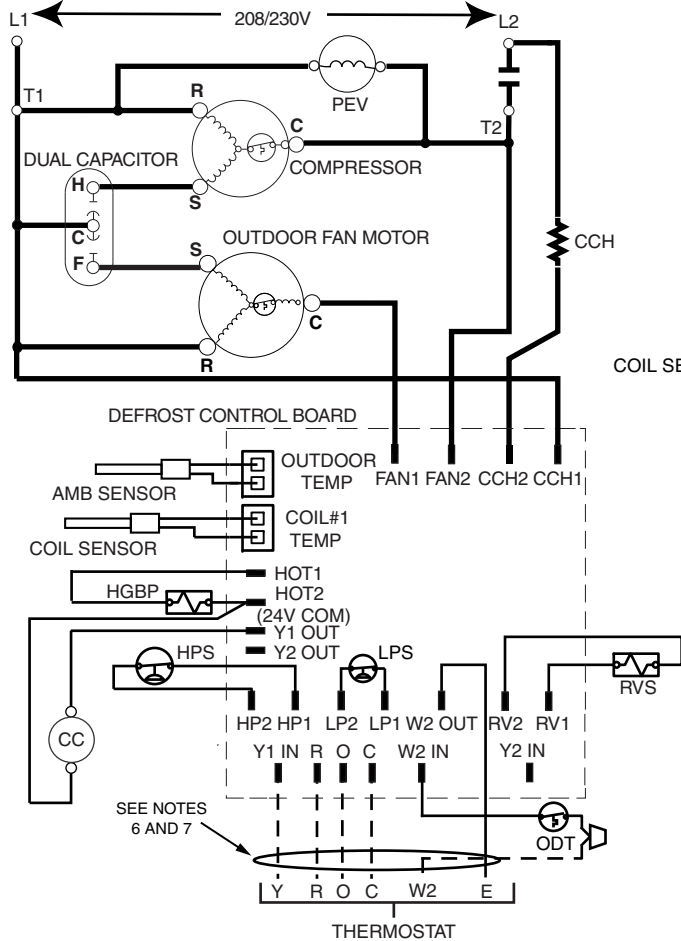
## Split System Heat Pump (Outdoor Section)

Single Phase

**NOTES:**

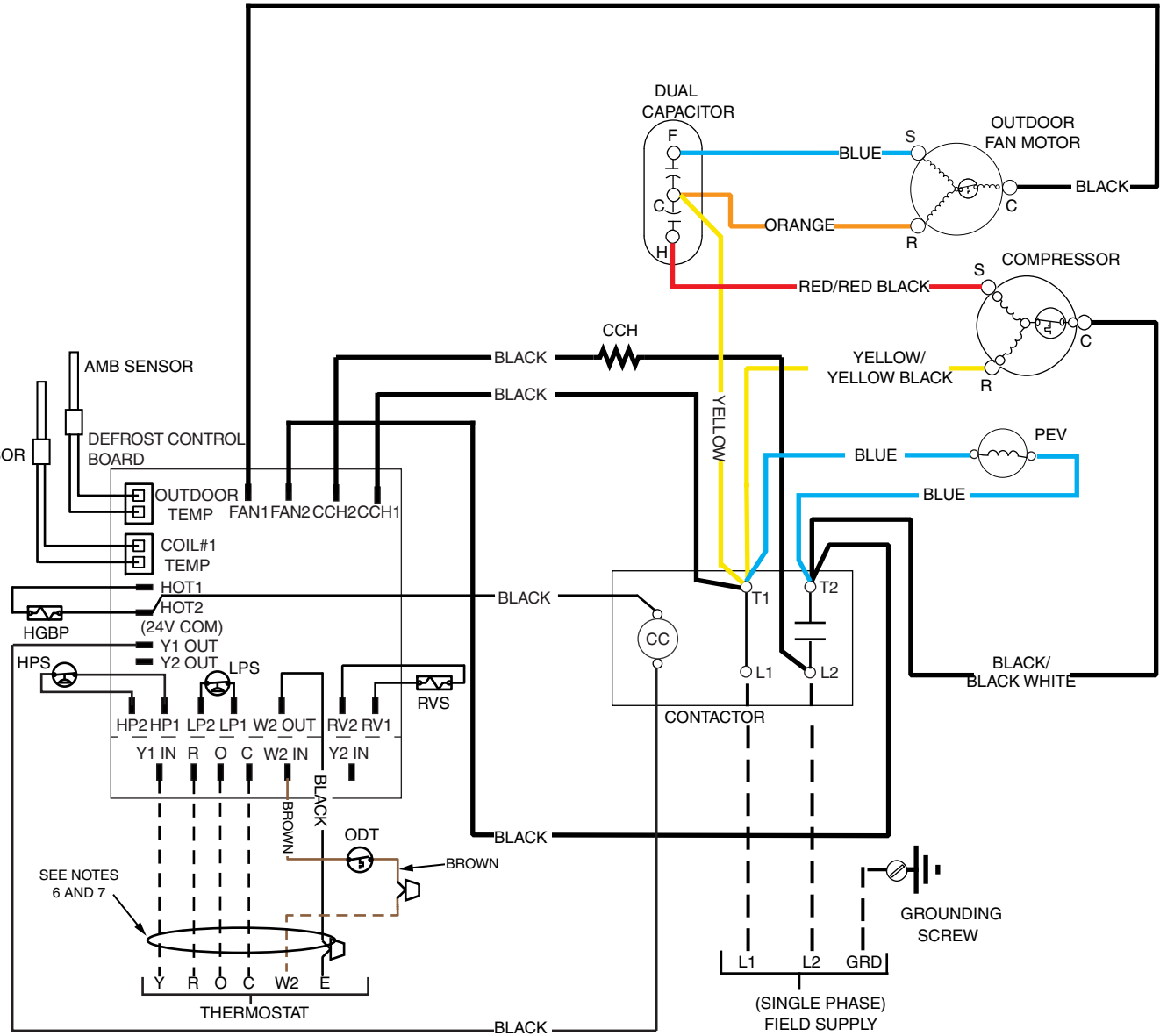
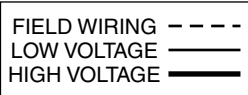
1. Disconnect all power before servicing.
2. For supply connections use copper conductors only.
3. Not suitable on systems that exceed 150 volts to ground.
4. For replacement wires use conductors suitable for 105° C.
5. For ampacities and overcurrent protection, see unit rating plate.
6. Connect to 24 vac/40va/class 2 circuit. See furnace/air handler installation instructions for control circuit and optional relay/transformer kits.
7. Caution: The Low Voltage wiring shall NOT be grounded to this unit.

1. Couper le courant avant de faire letretien.
2. Employez uniquement des conducteurs en cuivre.
3. Ne convient pas aux installations de plus de 150 volt a la terre.



AMB - Ambient  
 CC - Contactor Coil  
 CCH - Crankcase Heater  
 HGBP - Hot Gas By Pass Valve  
 HPS - High Pressure Switch  
 LPS - Low Pressure Switch  
 ODT - Outdoor Thermostat  
 PEV - Pressure Equalization Valve  
 RVS - Reversing Valve Solenoid

**LEGEND:**



10414090