

# WIRING DIAGRAM

## Split System Heat Pump (Outdoor Section) - Low Speed ECM Motor

Single Phase

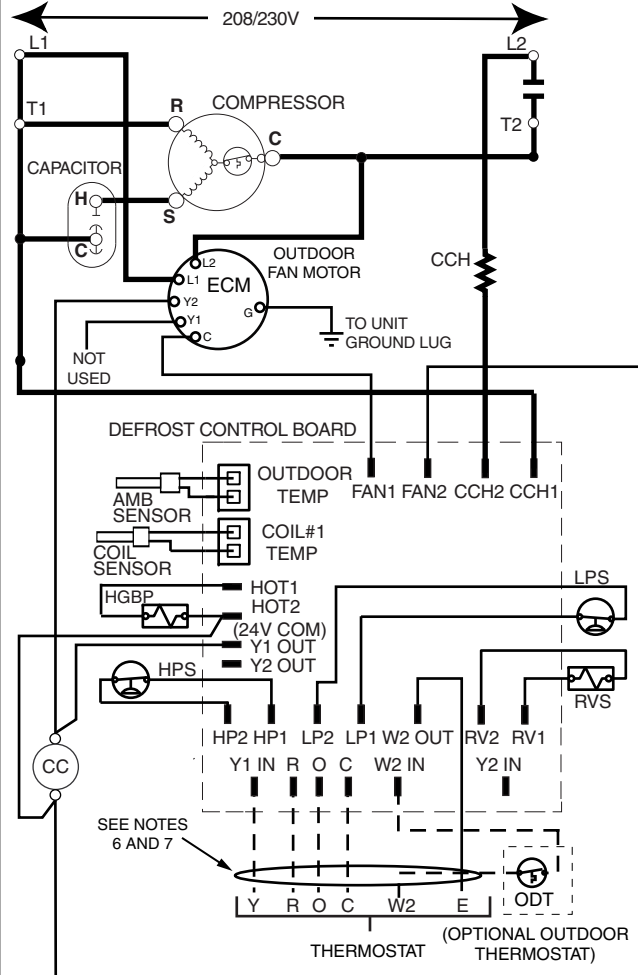
**NOTES:**

1. Disconnect all power before servicing.
2. For supply connections use copper conductors only.
3. Not suitable on systems that exceed 150 volts to ground
4. For replacement wires use conductors suitable for 105° C.
5. For ampacities and overcurrent protection, see unit rating plate.
6. Connect to 24 vac/40va/class 2 circuit. See furnace/air handler installation instructions for control circuit and optional relay/transformer kits.
7. Caution: The Low Voltage wiring shall NOT be grounded to this unit.

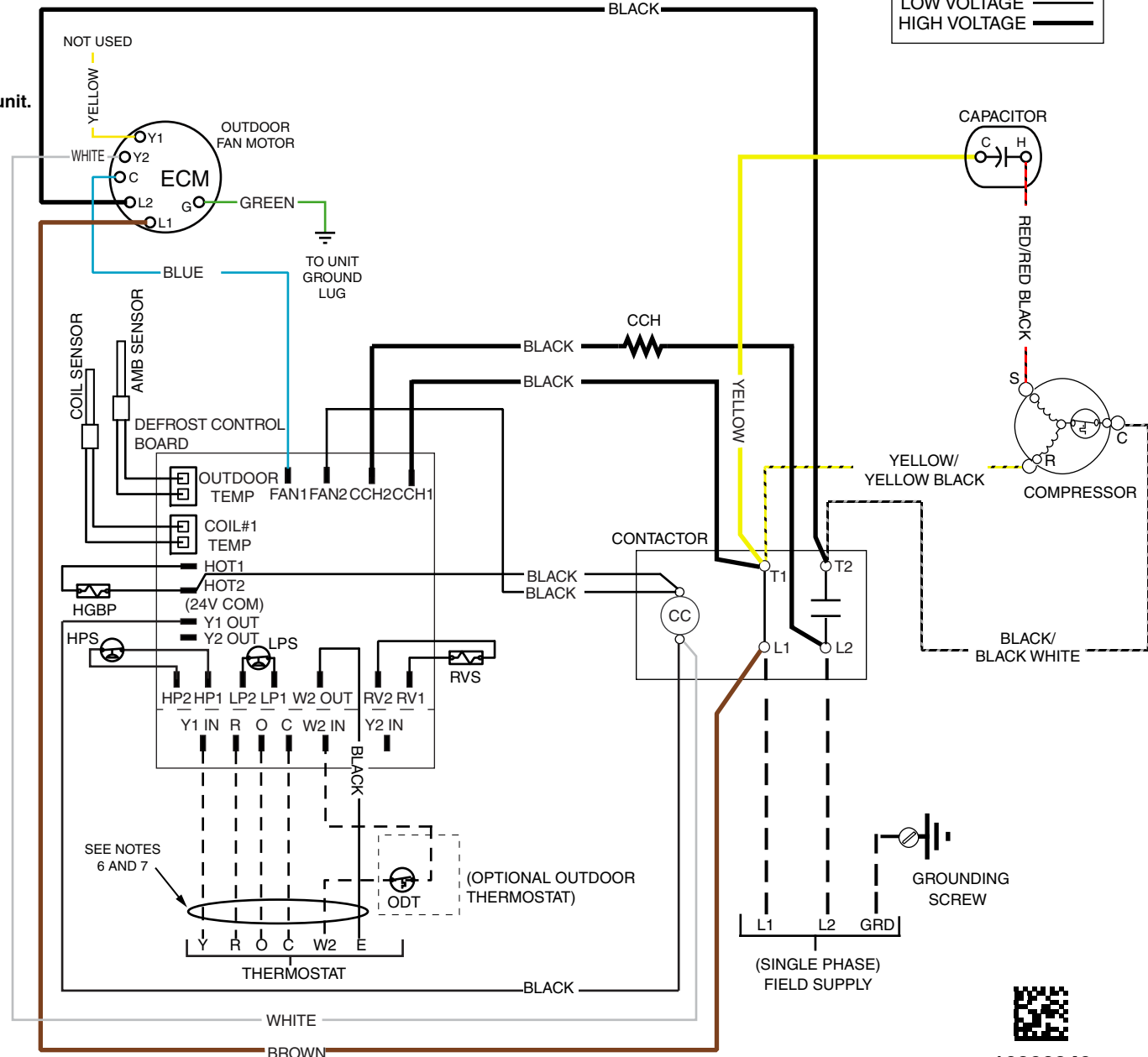
1. Couper le courant avant de faire letretien.
2. Employez uniquement des conducteurs en cuivre.
3. Ne convient pas aux installations de plus de 150 volt a la terre.

**LEGEND:**

FIELD WIRING	---
LOW VOLTAGE	—
HIGH VOLTAGE	—



- AMB Sensor - Ambient Sensor
- CC - Contactor Coil
- CCH - Crankcase Heater
- HPS - High Pressure Switch
- HGBP - Hot Gas By Pass Valve
- RVS - Reversing Valve Solenoid
- \* HARD START KIT (OPTIONAL)
- LPS - Low Pressure Switch



10398340  
(Replaces 10252940A)