

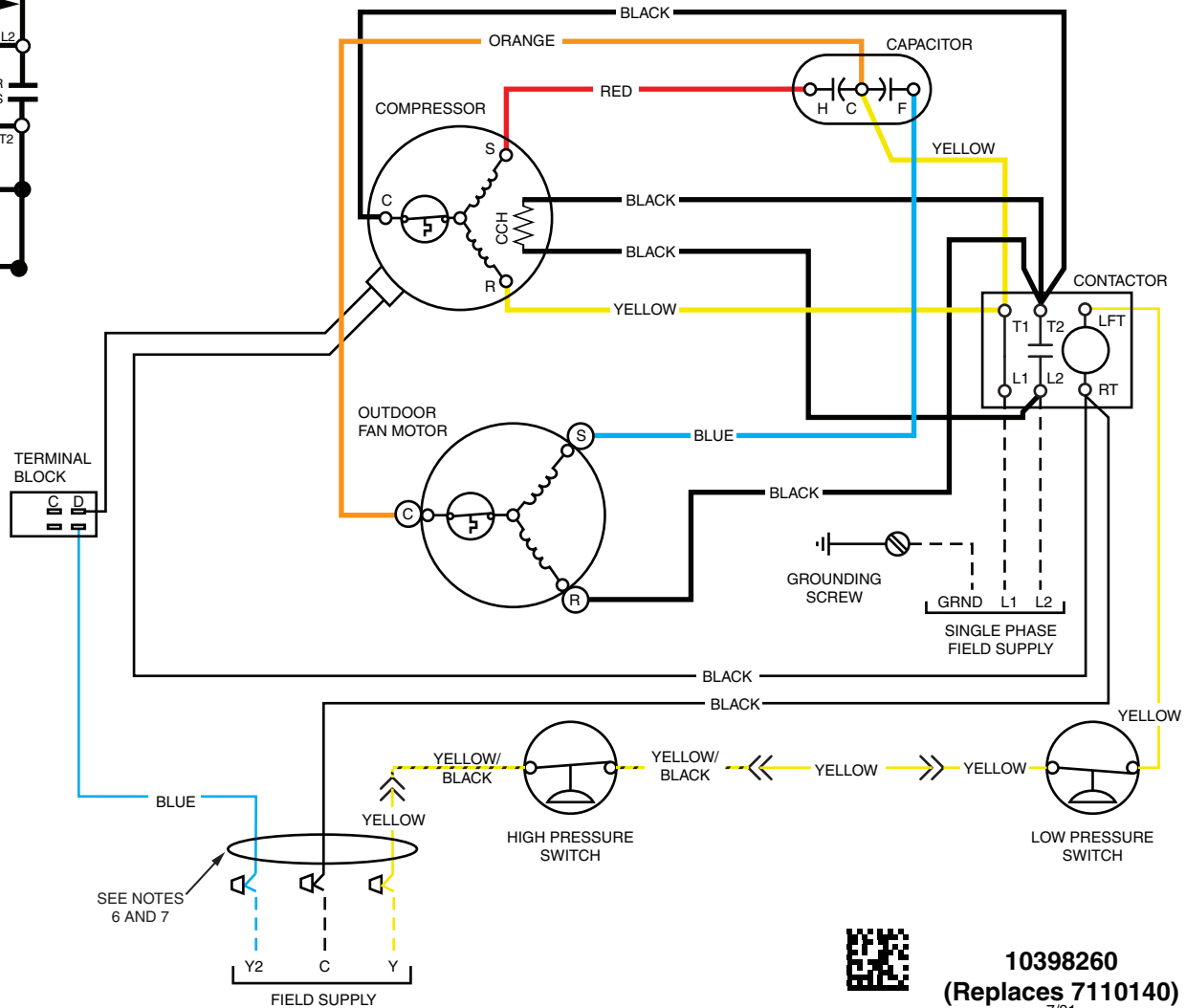
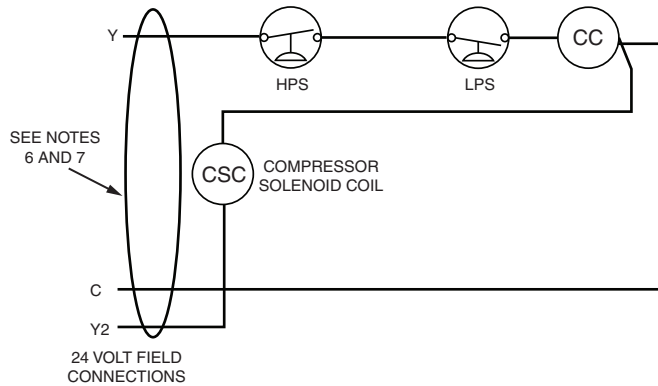
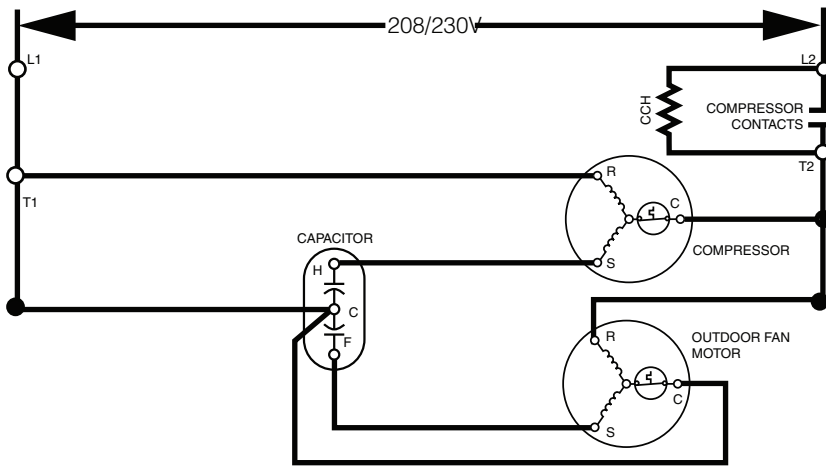
WIRING DIAGRAM

Two Stage Split System Air Conditioner (Outdoor Section) With Single Speed Fan Motor

208/230V

Single Phase / 60 Hz.

- NOTES:**
1. Disconnect all power before servicing.
 2. For supply connections use copper conductors only.
 3. Not suitable on systems that exceed 150 volts to ground.
 4. For replacement wires use conductors suitable for 105 °C
 5. For ampacities and overcurrent protection, see unit rating plate.
 6. Connect to 24 vac/40va/class 2 circuit. See furnace/airhandler installation instructions for control circuit and optional relay/transformer kits.
 7. Caution: The low voltage wiring should not be grounded to this unit.
1. Couper le courant avant de faire letretien.
 2. Employez uniquement des conducteurs en cuivre.
 3. Ne convient pas aux installations de plus de 150 volt a la terre.



LEGEND:

- FIELD WIRING - - - - -
- LOW VOLTAGE ———
- HIGH VOLTAGE ———

- CC - Contactor Coil
- CCH - Crankcase Heater
- LPS - Low Pressure Switch
- HPS - High Pressure Switch
- CSC - Compressor Solenoid Coil



10398260
(Replaces 7110140)
7/21