

INSTALLATION INSTRUCTIONS

Inducer Motor Replacement Kit For G8SA 80% ULN 55,000 BTU Single Stage Ultra-Low NOx Furnace

IMPORTANT SAFETY INFORMATION

Please read all instructions before servicing this equipment. Pay attention to all safety warnings and any other special notes highlighted in the manual. Safety markings are used frequently throughout this manual to designate a degree or level of seriousness and should not be ignored. **WARNING** indicates a potentially hazardous situation that if not avoided, could result in personal injury or death. **CAUTION** indicates a potentially hazardous situation that if not avoided, may result in minor or moderate injury or property damage.

- These instructions are primarily intended to assist qualified individuals experienced in the proper installation of this appliance. Some local codes require licensed installation/service personnel for this type of equipment.
- Please read all instructions carefully before starting the installation. If a problem occurs, check the instructions and follow recommendations given.

- The information shown in these instructions must be followed during the installation of this kit. Unqualified individuals should not attempt to interpret these instructions or install this equipment. If you do not possess mechanical skills or tools, call your local dealer for assistance.

ABOUT THE INSTALLATION

Read these installation instructions in their entirety before proceeding with the inducer motor and combustion air orifice plate replacement.

⚠ WARNING

Installing and servicing HVAC equipment can be hazardous due to gas, electrical, or refrigerant components. Observe all precautions in the literature, and on tags and labels attached to the unit. Follow all safety codes. Failure to follow safety recommendations could result in possible damage to the equipment, serious personal injury or death.

⚠ WARNING

ELECTRICAL SHOCK, FIRE OR EXPLOSION HAZARD

Failure to follow safety warnings exactly could result in serious injury, death or property damage.

Improper servicing could result in dangerous operation, serious injury, death or property damage.

- **Before servicing, disconnect all electrical power to the equipment.**
- **When servicing controls, label all wires prior to disconnecting. Reconnect wires correctly.**
- **Verify proper operation after servicing.**

⚠ AVERTISSEMENT

RISQUE DE CHOC ÉLECTRIQUE, D'INCENDIE OU D'EXPLOSION

Le non-respect des avertissements de sécurité pourrait entraîner un fonctionnement dangereux de l'appareil, des blessures graves, la mort ou des dommages matériels.

Un entreteïn incorrect pourrait entraîner un fonctionnement dangereux de l'appareil, des blessures graves, la mort ou des dommages matériels

- **Couper toute alimentation électrique à l'équipement et avant de prodéder aux travaux d'entreteïn.**
- **Au moment de l'entreteïn des commandes, étiquetez tous les fils avant de les débrancher. S'assurer de les raccorder correctement.**
- **S'assurer que l'appareil fonctionne adéquatement après l'entreteïn.**

**DO NOT DESTROY. PLEASE READ CAREFULLY & KEEP
IN A SAFE PLACE FOR FUTURE REFERENCE.**

**NE PAS DÉTRUIRE. VEUILLEZ LIRE ATTENTIVEMENT ET
CONSERVER EN UN LIEU SÛR POUR RÉFÉRENCE ULTÉRIEURE.**

BEFORE STARTING THE REPLACEMENT

When replacing the inducer motor assembly on 80% Ultra-Low NOx models, the following steps should be followed:

1. Set the thermostat to the OFF position or to its lowest setting.

WARNING:

To avoid electric shock, personal injury, or death, turn off the electric power at the disconnect or the main service panel before making any electrical connections.

2. Turn off all electrical power to the appliance.
3. Turn OFF gas supply to furnace.

REPLACING INDUCER MOTOR ASSEMBLY

1. Loosen the flue pipe from the inducer outlet connector.
2. Disconnect the inducer wiring at its quick connect plug assembly and chassis ground.
3. Remove the five screws holding the inducer motor assembly to the collector box. See Figure 1.
4. Remove the inducer and gasket. Ensure collector pan is free of any old gasket material.
5. Mount replacement inducer motor assembly 1039441- on the furnace ensuring alignment of the new gasket. The bolts should be tight with inducer not capable of moving. **DO NOT OVERTIGHTEN**, this could result in stripped out mounting holes.

6. Reconnect inducer wiring at quick connect plug and reattach chassis ground.
7. Reconnect flue to inducer outlet collar and secure with screws

REPLACING COMBUSTION AIR ORIFICE ON REV. 1 MODELS PRODUCED BEFORE AUGUST 1, 2021.

The new 101874006- 0.94" combustion air orifice plate supplied in this kit must be used with inducer motor 1039941- (on motor NP), in place of current 1.04" diameter plate (101874005-) on older models.

1. Remove the two screws attaching the combustion air orifice plate and gasket to the fuel/air mixing tube.
2. Replace w/ new gasket when mounting 0.94" orifice plate to mixing tube and secure with two screws.

CHECK THE OPERATION OF THE APPLIANCE

1. Turn ON gas supply to furnace. Check for leaks.
2. Turn ON all electrical power to the appliance.
3. Set the thermostat to the ON position and set 1-2F higher than room to initiate call for heat.
4. Follow the Start-Up Procedure as outlined in the G8SA Series installation instructions. Start the furnace to ensure correct pressure switch operation. If the furnace does not fire and a fault code is given by the control board, the inducer bolts may require further tightening. Carefully tighten the bolts slightly more and restart the furnace.

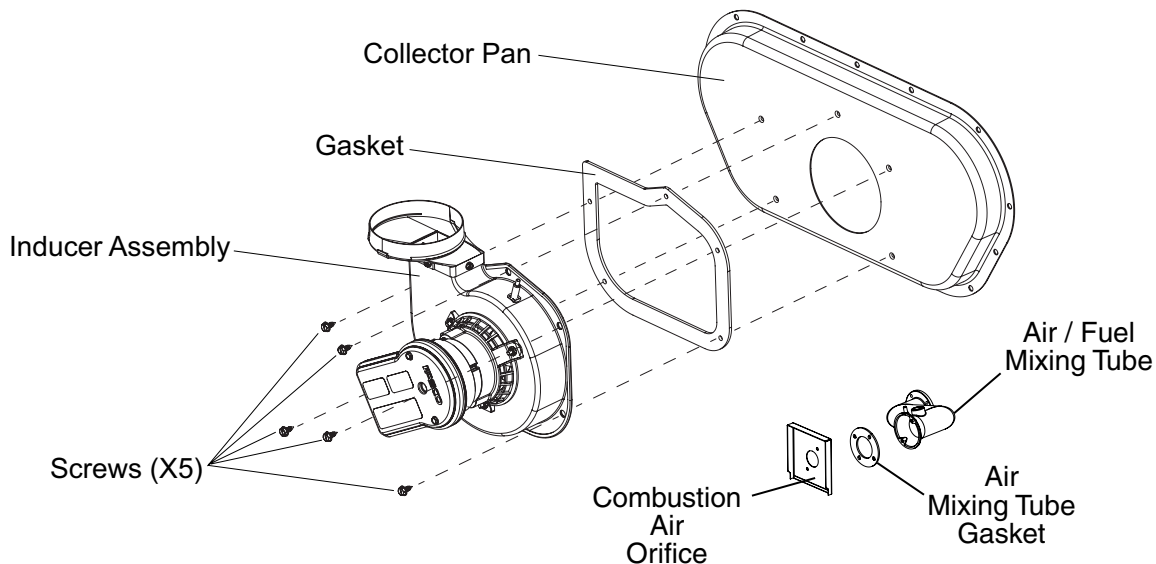


Figure 1. Removal of Inducer Assembly

