

# INSTALLATION INSTRUCTIONS

Single Package Gas Heating / Electric Cooling



Premium Model Shown

## ⚠ WARNING

### FIRE OR EXPLOSION HAZARD

Failure to follow safety warnings exactly could result in serious injury or property damage.

– Do not store or use gasoline or other flammable vapors and liquids in the vicinity of this or any other appliance.

### WHAT TO DO IF YOU SMELL GAS

- Do not try to light any appliance.
- Do not touch any electrical switch; do not use any phone in your building.
- Leave the building immediately.
- Immediately call your gas supplier from a neighbors phone. Follow the gas suppliers instructions.
- If you cannot reach your gas supplier, call the fire department.

– Installation and service must be performed by a qualified installer, service agency or the gas supplier.

## ⚠ AVERTISSEMENT

### RISQUE D'INCENDIE OU D'EXPLOSION

Si les consignes de sécurité ne sont pas suivies à la lettre, cela peut entraîner la mort, de graves blessures ou des dommages matériels.

– Ne pas entreposer ni utiliser de l'essence ni d'autres vapeurs ou liquides inflammables dans le voisinage de cet appareil, ni de tout autre appareil.

### QUE FAIRE SI UNE ODEUR DE GAZ EST DÉTECTÉE

- Ne mettre en marche aucun appareil.
- Ne toucher aucun interrupteur électrique; ne pas utiliser de téléphone dans le bâtiment.
- Quitter le bâtiment immédiatement.
- Appeler immédiatement le fournisseur de gaz en utilisant le téléphone d'un voisin. Suivre les instructions du fournisseur de gaz.
- Si le fournisseur de gaz n'est pas accessible, appeler le service d'incendie.

– L'installation et l'entretien doivent être effectués par un installateur ou une entreprise d'entretien qualifié, ou le fournisseur de gaz.

## TABLE OF CONTENTS

<b>IMPORTANT SAFETY INFORMATION.....</b>	<b>3</b>	<b>START UP &amp; ADJUSTMENTS.....</b>	<b>17</b>
<b>REQUIREMENTS &amp; CODES .....</b>	<b>4</b>	Pre-Start Check List .....	17
<b>GENERAL INFORMATION.....</b>	<b>5</b>	Start-Up Procedure.....	17
Before you install this unit.....	5	Air Circulation.....	17
Locating the Equipment.....	5	System Cooling.....	17
Heating Load .....	5	System Heating.....	17
<b>COMBUSTION AIR &amp; VENTING REQUIREMENTS .....</b>	<b>6</b>	Verifying & Adjusting Temperature Rise.....	17
General Information.....	7	Verifying & Adjusting Firing Rate.....	18
Vent Termination .....	7	Verifying Over-Temperature Limit Control Operation .....	18
<b>CIRCULATING AIR SUPPLY .....</b>	<b>8</b>	Verifying Burner Operation .....	18
Air Ducts .....	8	Manifold Pressure Adjustment.....	18
Air Filter Requirements.....	8	<b>OPERATING SEQUENCE .....</b>	<b>19</b>
Unconditioned Spaces.....	8	Heating Mode .....	19
Acoustical Duct Work .....	8	Cooling Mode .....	19
<b>UNIT INSTALLATION.....</b>	<b>9</b>	Fan Mode .....	20
Packaging Removal.....	9	<b>EQUIPMENT MAINTENANCE.....</b>	<b>20</b>
Rigging & Hoisting .....	9	Cleaning of Heat Exchanger.....	20
Clearances to Combustible Materials.....	9	Cleaning of Burners.....	21
Ground Level .....	9	<b>REPLACEMENT PARTS .....</b>	<b>21</b>
Rooftop .....	9	<b>COMPONENT FUNCTIONS .....</b>	<b>21</b>
Horizontal to Downflow Conversion.....	9	<b>TROUBLESHOOTING .....</b>	<b>22</b>
Condensate Drain.....	9	<b>FIGURES &amp; TABLES.....</b>	<b>23</b>
<b>ELECTRICAL WIRING .....</b>	<b>10</b>	Figure 9. Unit Dimensions.....	23
Pre-Electrical Checklist.....	10	Table 8. Center of Gravity & Unit Shipping Weights ....	23
Line Voltage.....	11	Airflow Data .....	24
Thermostat / Low Voltage Connections.....	11	Table 9. Nominal Airflow Rates & Temperature	24
Heat / Cool Thermostat.....	11	Rises (° F).....	24
Checking Heat Anticipator Settings .....	12	Table 10. Airflow Settings for Cooling.....	24
Heating Configurations .....	12	Table 11. Airflow Settings (CFM) & Rise (° F) for	24
Configuring the Variable Speed Blower.....	12	Heating .....	24
Selecting Cooling Airflow .....	12	Gas Information .....	25
Selecting Gas Heating Airflow .....	12	Table 12. Gas Pipe Capacities .....	25
Optional Humidistat .....	12	Table 13. Gas Flow Rates .....	25
Optional Comfort Alert™ Diagnostics Module.....	13	Figure 10. Gas Valve Label .....	26
24 VAC Power Wiring .....	13	Electrical Information .....	27
Thermostat Demand Wiring .....	13	Figure 11. Two Stage Heating / Two Stage	27
L Terminal Wiring.....	13	Cooling Configuration.....	27
DC SOL Connection .....	13	Figure 12. Two-Stage, Hot Surface Ignition & Blower	27
Interpreting the Diagnostic LED's .....	13	Control Board .....	27
LED Description .....	13	Figure 13. Two Stage Cool, Two Stage Heat .....	28
Installation Verification .....	14	Figure 14. Two Stage Cool, Two Stage Heat with	29
Troubleshooting the Installation .....	14	Optional Comfort Alert.....	29
Resetting Alert Codes.....	14	Comfort Alert Troubleshooting Tables.....	30
Grounding.....	14	Table 14. LED Diagnostics .....	30
<b>GAS SUPPLY &amp; PIPING.....</b>	<b>14</b>	Table 15. Module Wiring Troubleshooting .....	31
Leak Check.....	15	<b>REFRIGERANT CHARGING .....</b>	<b>32</b>
High Altitude Conversion .....	15	Charging an R-410A unit in AC mode at outdoor	32
LP/Propane Gas Conversion.....	16	temperatures above 65F.....	32
		Charging Charts & Application Notes .....	32
		Figure 15. Charging Chart for 2 Ton Units.....	33
		Figure 16. Charging Chart for 3 Ton Units.....	33
		Figure 17. Charging Chart for 4 Ton Units.....	34
		Figure 18. Charging Chart for 5 Ton Units.....	34
		<b>INSTALLATION CHECKLIST.....</b>	<b>36</b>

## IMPORTANT SAFETY INFORMATION

Please read all instructions before servicing this equipment. Pay attention to all safety warnings and any other special notes highlighted in the manual. Safety markings are used frequently throughout this manual to designate a degree or level of seriousness and should not be ignored. **WARNING** indicates a potentially hazardous situation that if not avoided, could result in personal injury or death. **CAUTION** indicates a potentially hazardous situation that if not avoided, may result in minor or moderate injury or property damage.

### **WARNING:**

#### **ELECTRICAL SHOCK, FIRE OR EXPLOSION HAZARD**

Failure to follow safety warnings exactly could result in serious injury or property damage.

Improper servicing could result in dangerous operation, serious injury, death or property damage.

- Before servicing, disconnect all electrical power to furnace.
- When servicing controls, label all wires prior to disconnecting. Reconnect wires correctly.
- Verify proper operation after servicing.

### **AVERTISSEMENT:**

#### **RISQUE DE CHOC ÉLECTRIQUE, D'INCENDIE OU D'EXPLOSION**

Le non-respect des avertissements de sécurité pourrait entraîner un fonctionnement dangereux de l'appareil, des blessures graves, la mort ou des dommages matériels.

Un entreteïn incorrect pourrait entraîner un fonctionnement dangereux de l'appareil, des blessures graves, la mort ou des dommages matériels

- Couper toute alimentation électrique au générateur d'air chaud avant de prodéder aux travaux d'entreteïn.
- Au moment de l'entreteïn des commandes, étiquetez tous les fils avant de les débrancher. S'assurer de les raccorder correctement.
- S'assurer que l'appareil fonctionne adéquatement après l'entreteïn.

### **WARNING:**

These units are fully charged with R-410A refrigerant and ready for installation. When a system is installed according to these instructions, no refrigerant charging is required. If repairs make it necessary for evacuation and charging, it should only be attempted by qualified, trained personnel thoroughly familiar with this equipment. Some local codes require licensed installation service personnel to service this type of equipment. Under no circumstances should the homeowner attempt to install and/or service this equipment. Failure to comply with this warning could result in equipment damage, personal injury, or death.

### **WARNING:**

Do not place combustible material on or against the unit cabinet. Do not place combustible materials, including gasoline and any other flammable vapors and liquids, in the vicinity of the unit.

### **WARNING:**

**PROPOSITION 65 WARNING:** This product contains fiberglass wool, a product known to the state of California to cause cancer. Disturbing the insulation of this product during installation, maintenance, or repair will expose you to fiberglass wool.

- Breathing this material may cause respiratory irritations or may cause lung cancer.
- Fiberglass wool may also cause eye irritation, skin sensitization, or other allergic responses in susceptible individuals.
- Always wear goggles, disposable gloves, long sleeved shirt, and appropriate breathing protection when working near this insulation. If contact with skin occurs, wash immediately with soap and water. In case of contact with eyes, flush immediately with water for at least 15 minutes. Contact a physician if needed.

### **WARNING:**

The information listed below and on the next page must be followed during the installation, service, and operation of this unit. Unqualified individuals should not attempt to interpret these instructions or install this equipment. Failure to follow safety recommendations could result in possible damage to the equipment, serious personal injury or death.

- Before beginning the installation, verify that the unit model is correct for the job. The unit model number is printed on the data label. Follow all precautions in the literature, on tags, and on labels provided with the equipment. Read and

thoroughly understand the instructions provided with the equipment prior to performing the installation and operational checkout of the equipment.

- Never test for gas leaks with an open flame. Use a commercially available soap solution to check all connections. See [page 15](#).
- Installation of equipment may require brazing operations. Installer must comply with safety codes and wear appropriate safety equipment (safety glasses, work gloves, fire extinguisher, etc.) when performing brazing operations.
- This equipment is **NOT** to be used for temporary heating of buildings or structures under construction.
- Use caution when handling this appliance or removing components. Personal injury can occur from sharp metal edges present in all sheet metal constructed equipment.
- Follow all precautions in the literature, on tags, and on labels provided with the equipment. Read and thoroughly understand the instructions provided with the equipment prior to performing the installation and operational checkout of the equipment.
- The installer should become familiar with the units wiring diagram before making any electrical connections to the unit. See [Figure 13 \(page 28\)](#), [Figure 14 \(page 29\)](#), or the unit wiring label.

## REQUIREMENTS & CODES

- **This equipment must be installed in accordance with instructions outlined in this manual, all applicable local building codes, and the current revision of the National Fuel Gas Code (NFPA54/ANSI Z223.1) or the Natural Gas and Propane Installation Code, CAN/CGA B149.1.**
- All electrical wiring must be completed in accordance with local, state and national codes and regulations and with the National Electric Code (ANSI/NFPA 70) or in Canada the Canadian Electric Code Part 1 CSA C.22.1.
- The installer must comply with all local codes and regulations which govern the installation of this type of equipment. Local codes and regulations take precedence over any recommendations contained in these instructions. Consult local building codes and the National Electrical Code (ANSI CI) for special installation requirements.
- This equipment contains liquid and gaseous refrigerant under high pressure. Installation or servicing should only be performed by qualified trained personnel thoroughly familiar with this type equipment.
- Air Ducts must be installed in accordance with the standards of the National Fire Protection Association “Standards for Installation of Air Conditioning and Ventilation Systems” (NFPA 90A), “Standard for Installation of Residence Type Warm Air Heating and Air Conditioning Systems” (NFPA 90B), these instructions, and all applicable local codes.
- Install this unit only in a location and position as specified on [page 7](#). This unit is designed only for outdoor installations and should be located with consideration of minimizing the length of the supply and return ducts. Consideration should also be given to the accessibility of fuel, electric power, service access, noise, and shade.
- Consult [Table 9 \(page 24\)](#), and the rating plate for the proper circulating air flow and temperature rise. It is important that the duct system be designed to provide the correct flow rates and external pressure rise. An improperly designed duct system can result in nuisance shutdowns, and comfort or noise issues.

- This unit is designed for outdoor installations only and should be located in a position as shown on [page 5](#).
- Use only with the type of gas approved for this unit. Refer to the unit rating plate.
- Provide adequate combustion and ventilation air to the unit. See [page 6](#) and [page 7](#).
- Provide adequate clearances around the combustion air intake louvers. See [Figure 1 \(page 5\)](#).
- Combustion products must be discharged outdoors. Connect this unit to an approved vent system only, as specified on [page 7](#).
- Additional codes listed below are for reference purposes only and do not necessarily have jurisdiction over local or state codes. Local codes and regulations take precedence over any recommendations contained in these instructions. Always consult with local authorities before installing any gas appliance.

### Combustion & Ventilation Air

- US: National Fuel Gas Code (NFGC), Air for Combustion and Ventilation
- CANADA: Natural Gas and Propane Installation Codes (NSCNGPIC), Venting Systems and Air Supply for Appliances

### Duct Systems

- US and CANADA: Air Conditioning Contractors Association (ACCA) Manual D, Sheet Metal and Air Conditioning Contractors National Association (SMACNA), or American Society of Heating, Refrigeration, and Air Conditioning Engineers (ASHRAE) Fundamentals Handbook

### Electrical Connections

- US: National Electrical Code (NEC) ANSI/NFPA 70
- CANADA: Canadian Electrical Code CSA C22.1

### Gas Piping & Gas Pipe Pressure Testing

- US: NFGC and National Plumbing Codes
- CANADA: NSCNGPIC

### General Installation

- US: Current edition of the NFGC and the NFPA 90B. For copies, contact the National Fire Protection Association Inc., Batterymarch Park, Quincy, MA 02269; or American Gas Association, 400 N. Capitol, N.W., Washington DC 20001 or [www.NFPA.org](#)
- CANADA: NSCNGPIC. For a copy, contact Standard Sales, CSA International, 178 Rexdale Boulevard, Etobicoke (Toronto), Ontario, M9W 1R3 Canada

### Safety

- US: (NFGC) NFPA 54–1999/ANSI Z223.1 and the Installation Standards, Warm Air Heating and Air Conditioning Systems ANSI/NFPA 90B.
- CANADA: CAN/CGA-B149.1 and .2–M00 National Standard of Canada. (NSCNGPIC)

## GENERAL INFORMATION

This single package gas heating / electric cooling unit is designed only for outdoor rooftop or ground level slab installations and can be readily connected to the high static duct system of a home. This unit has been tested for capacity and efficiency in accordance with AHRI standards and will provide many years of safe and dependable comfort, providing it is properly installed and maintained. With regular maintenance, this unit will operate satisfactorily year after year. Abuse, improper use, and/or improper maintenance can shorten the life of the appliance and create unsafe hazards.

To achieve optimum performance and minimize equipment failure, it is recommended that periodic maintenance be performed on this unit. The ability to properly perform maintenance on this equipment requires certain tools and mechanical skills.

### Before you install this unit

- ✓ The cooling load of the area to be conditioned must be calculated and a system of the proper capacity selected. It is recommended that the area to be conditioned be completely insulated and vapor sealed.
- ✓ Check the electrical supply and verify the power supply is adequate for unit operation. Consideration should be given to availability of electric power, service access, noise, and shade. If there is any question concerning the power supply, contact the local power company.
- ✓ All units are securely packed at the time of shipment and upon arrival should be carefully inspected for damage prior to installing the equipment at the job site. Verify coil fins are straight. If necessary, comb fins to remove flattened or bent fins. Claims for damage (apparent or concealed) should be filed immediately with the carrier.
- ✓ Please consult your dealer for maintenance information and availability of maintenance contracts. Read all instructions before installing the unit.

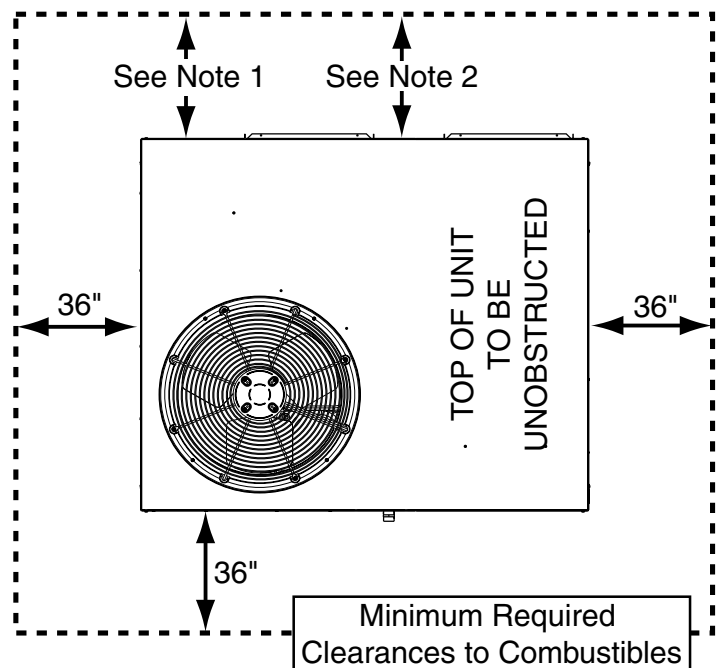
### Locating the Equipment

- Clearance in accordance with local installation codes, the requirements of the gas supplier and the manufacturer's installation instructions.
- Dégagement conforme aux codes d'installation locaux, aux exigences du fournisseur de gaz et aux instructions d'installation du fabricant.
- A clearance of at least 36 inches from the blower access panel and from the louvered control access panel is recommended for servicing and maintenance. **Where accessibility clearances are greater than clearances to combustibles, accessibility clearances must take preference.**
- Select a solid, level position, preferably on a concrete slab, slightly above the grade level, and parallel to the home. **DO NOT PLACE UNIT UNDER THE HOME.**
- Overhead obstructions, poorly ventilated areas, and areas subject to accumulation of debris should be avoided. Do not place the unit in a confined space or recessed area where discharge air from the unit could re-circulate back through the condenser coil.
- Survey the job site to determine the best location for the packaged unit. The unit should be located with consideration of minimizing the length of the supply and return ducts. Consideration should also be given to the accessibility of fuel, electric power, service access, noise, and shade.

- Sufficient clearance for unobstructed airflow through the louvered control access panel and outdoor coil must be maintained in order to achieve rated performance. See [Figure 1](#) for minimum clearance requirements.
- The hot condenser air must be discharged up and away from the home.
- If practical, place the air conditioner and its ducts in an area where they will be shaded from the afternoon sun, when the heat load is greatest.

### Heating Load

This unit should be sized to provide the design heating load requirement. Heating load estimates can be made using approved methods available from Air Conditioning Contractors of America (Manual J); American Society of Heating, Refrigerating, and Air Conditioning Engineers; or other approved engineering methods. For installations above 2,000 ft., the unit should have a sea level input rating large enough that it will meet the heating load after deration for altitude.



**NOTE 1:** 6" When coil is present on duct side.

**NOTE 2:** 1" When no coil is present on duct side.

**Figure 1. Clearance Requirements**

## COMBUSTION AIR & VENTING REQUIREMENTS

### **WARNING:**

#### **CARBON MONOXIDE POISONING HAZARD**

Failure to follow the steps outlined below for each appliance connected to the venting system being placed into operation could result in carbon monoxide poisoning or death.

The following steps shall be followed with each individual appliance connected to the venting system being placed in operation, while all other appliances connected to the venting system are not in operation:

1. Seal any unused openings in the venting system.
2. Inspect the venting system for proper size and horizontal pitch, as required in the National Fuel Gas Code, ANSI Z223.1/NFPA 54 or the CSA B149.1, Natural Gas and Propane Installation Codes and these instructions. Determine that there is no blockage or restriction, leakage, corrosion and other deficiencies which could cause an unsafe condition.
3. As far as practical, close all building doors and windows and all doors between the space in which the appliance(s) connected to the venting system are located and other spaces of the building.
4. Close fireplace dampers.
5. Turn on clothes dryers and any appliance not connected to the venting system. Turn on any exhaust fans, such as range hoods and bathroom exhausts, so they are operating at maximum speed. Do not operate a summer exhaust fan.
6. Follow the lighting instructions. Place the appliance being inspected into operation. Adjust the thermostat so appliance is operating continuously.
7. Test for spillage from draft hood equipped appliances at the draft hood relief opening after 5 minutes of main burner operation. Use the flame of a match or candle.
8. If improper venting is observed during any of the above tests, the venting system must be corrected in accordance with the National Fuel Gas Code, ANSI Z223.1/NFPA 54 and/or CSA B149.1, Natural Gas and Propane Installation Codes.
9. After it has been determined that each appliance connected to the venting system properly vents when tested as outlined above, return doors, windows, exhaust fans, fireplace dampers and any other gas-fired burning appliance to their previous conditions of use.

### **AVERTISSEMENT:**

#### **RISQUE D'INTOXICATION AU MONOXYDE DE CARBONE**

Si les étapes décrites ci-dessous ne sont pas suivies pour chacun des appareils raccordés au système de ventilation au moment de sa mise en marche, cela peut entraîner une intoxication au monoxyde de carbone ou la mort. Les étapes suivantes doivent être suivies pour chacun des appareils raccordés au système de ventilation au moment de sa mise en marche, alors que tous les autres appareils raccordés au système de ventilation ne sont pas en marche :

1. Sceller toutes les ouvertures inutilisées du système de ventilation.
2. Inspecter le système de ventilation afin de vérifier si la taille et l'inclinaison par rapport à l'horizontale sont conformes aux exigences du National Fuel Gas Code, ANSI Z223.1/NFPA 54 ou du Code d'installation du gaz naturel et du propane, CSA B149.1 et à ces instructions. Vérifier qu'il n'y a pas d'obstruction ou de restriction, de fuite, de corrosion et d'autres problèmes qui pourraient entraîner une situation dangereuse.
3. Si possible, fermer toutes les portes et fenêtres du bâtiment ainsi que toutes les portes séparant l'endroit où se trouvent les appareils raccordés au système de ventilation et les autres zones du bâtiment.
4. Fermer le registre des foyers.
5. Mettre les sècheuses en marche ainsi que tous les autres appareils qui ne sont pas raccordés au système de ventilation. Mettre en marche tous les ventilateurs de tirage, comme celui des hottes de cuisine et des salles de bains, et les régler à la puissance maximale. Ne pas mettre en marche les ventilateurs d'été.
6. Suivre les instructions d'allumage. Mettre en marche l'appareil soumis à l'inspection. Régler le thermostat de manière à ce que l'appareil fonctionne en continu.
7. Vérifier la présence de fuite au niveau de l'ouverture du coupe-tirage des appareils qui en sont dotés après 5 minutes de fonctionnement du brûleur principal. Utiliser la flamme d'une allumette ou d'une bougie.
8. Si un problème de ventilation est observé pendant l'un des essais décrits ci-dessus, des correctifs doivent être apportés au système de ventilation conformément au National Fuel Gas Code, ANSI Z223.1/NFPA 54 et (ou) au Code d'installation du gaz naturel et du propane, CSA B149.1.
9. Une fois qu'il a été déterminé que chaque appareil raccordé au système de ventilation fonctionne correctement au moyen des essais décrits ci-dessus, les portes, les fenêtres, les ventilateurs, les registres de foyer et tous les autres appareils de combustion alimentés au gaz doivent être remis dans leur état initial.

## General Information

### **⚠ WARNING:**

**Installation methods other than those described in the following sections must comply with the National Fuel Gas Code and all applicable local codes for providing sufficient combustion air to the unit.**

Provisions must be made during the installation of this unit that provide an adequate supply of air for combustion.

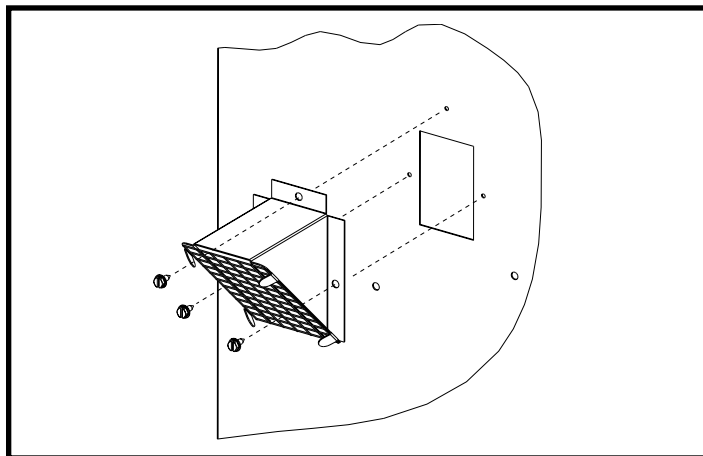
- Instructions for determining the adequacy of an installation can be found in the current revision of the NFGC (ANSI Z223.1/NFPA54). **Consult local codes for special requirements.** These requirements are for US installations as found in the NFGC.
- The requirements in Canada (B149.1) are structured differently. Consult with B149.1 and local code officials for Canadian installations.

### **⚠ WARNING:**

**Combustible air must not be drawn from a contaminated atmosphere. Excessive exposure to contaminated combustion air will result in safety and performance related problems.**

To maximize heat exchanger life, the combustion air must be free of chemicals that can form corrosive acidic compounds in the combustion gases. The recommended source of combustion air is to use clean air from outside. **DO NOT place any chemicals with flammable or caustic vapors or these other corrosive chemicals near the vent termination:**

- Gasoline/Kerosene
- Permanent wave solutions
- Chlorinated waxes and cleaners
- Chlorine based swimming pool chemicals
- Water softening chemicals
- De-icing salts or chemicals
- Carbon tetrachloride
- Halogen type refrigerants
- Cleaning solvents
- Cements, glues, paint removers, varnishes, etc.
- Hydrochloric acid
- Masonry acid washing materials
- Plumbing Stack



**Figure 2. Vent Assembly**

Air openings in the door of the unit, warm air registers, and return air grilles must never be restricted. If the unit does not receive an adequate supply of air for combustion, the flame roll-out control located above the burners will open, turning off the gas supply to the burners. This safety device is a manually reset switch.

### **IMPORTANT NOTE:**

**DO NOT install jumper wires across this control to defeat its function or reset the control without identifying and correcting the fault condition.**

If this control must be replaced, use only factory authorized replacement parts. See the list of Replacement Parts on [page 21](#).

### **Vent Termination**

This unit has been equipped with an integral venting system and designed to operate only with this venting system. No additional venting shall be used. This unit must be vented to the outdoors.

### **⚠ WARNING:**

**This unit is intended for outdoor installation only. Do not vent the unit through a conventional venting system.**

A vent cover assembly has been supplied with the unit and can be found secured to the gas controls within the control area of this unit. [Figure 2](#) shows the proper installation of the vent cover assembly over the vent outlet on the exterior of the corner panel. The fasteners used to secure the vent cover assembly have been included in the owner's package. **The vent cover assembly must be installed to assure proper operation of the unit.**

The following list summarizes the requirements for the location of the vent system termination:

- The location of the vent termination must be consistent with the National Fuel Gas Code (ANSI Z223.1) or CAN/CGA-B149 Installation Codes.
- The vent termination must be located at least 4 feet horizontally from any electric meters, gas meters, regulators, and relief equipment.
- The vent termination must be located at least 3 feet above any forced air inlet located within 10 feet.
- The vent termination must be located at least 4 feet below, 4 feet horizontally from, or 1 foot above any door, window, or gravity air inlet into any building.
- The vent termination must be located at least 1 foot above grade.
- The unit should be installed in a way that prevents any obstruction of the vent termination during accumulating snow.
- The unit installation shall avoid areas where condensate drainage may cause problems by dropping on planters or patios, etc. Also verify exhaust gases will not impinge on windows or building surfaces, which may be compromised or damaged by condensation.
- Do not install the unit such that exhaust from the vent termination is directed into window wells, stairwells, under decks, or in alcoves or similarly recessed areas. The vent termination must not be located above any public walkways.

## CIRCULATING AIR SUPPLY

### **WARNING:**

Products of combustion must not be allowed to enter the return air ductwork or the circulating air supply. Failure to prevent products of combustion from being circulated into the living space can create potentially hazardous conditions including carbon monoxide poisoning that could result in personal injury or death.

All return ductwork must be adequately sealed, all joints must be taped, and the ductwork must be secured to the unit with sheet metal screws. When return air is provided through the bottom of the unit, the joint between the unit and the return air plenum must be air tight.

The roof curb or cement pad on which the unit is mounted must provide sound physical support of the unit with no gaps, cracks, or sagging between the unit and the curb or pad.

Return air and circulating air ductwork must not be connected to any other heat producing device such as a fireplace insert, stove, etc. Doing so may result in fire, explosion, carbon monoxide poisoning, personal injury, or property damage.

### **Air Ducts**

This unit is designed only for use with a supply and return duct. Air ducts should be installed in accordance with the standards of the National Fire Protection Association "Standard for Installation of Air Conditioning Systems" (NFPA 90A), "Standard for Installation of Residence Type Warm Air Heating and Air Conditioning Systems" (NFPA 90B), and all applicable local codes. NFPA publications are available by writing to: National Fire Protection Association, Batterymarch Park, Quincy, ME 02269 or visit [www.NFPA.org](http://www.NFPA.org) on the web.

- Design the duct work according to Manual D by the Air Conditioning Contractors of America (ACCA).
- The ducts must be properly sized not to exceed the unit maximum ESP rating at 400 scfm per nominal ton of cooling capacity.
- Duct work should be attached directly to the unit flanges for horizontal applications.
- If roof curb is installed, the ducts must be attached to the curb hangers, not the unit.
- It is recommended that the outlet duct be provided with a removable access panel. The opening should be accessible when the unit is installed in service and shall be sized so that smoke or reflected light may be observed inside the casing to indicate the presence of leaks in the heat exchanger. The cover for the opening shall be attached in a way that will prevent leaks.
- If outside air is utilized as return air to the unit for ventilation or to improve indoor air quality, the system must be designed so that the return air to the unit is not less than 50° F (10° C) during heating operation.

NOMINAL COOLING (TONNAGE)	APPROXIMATE AIR FLOW RANGE (CFM)	APPROXIMATE FILTER AREA (SQ. IN.)*	RECOMMENDED FILTER SIZE (IN. X IN.)
2	700 - 900	450	20 x 25
3	1,000 - 1,300	625	25 x 25
4	1,500 - 1,900	915	18 x 25 (2 required)
5	1,600 - 2,000	975	20 x 25 (2 required)

\* Based on velocity of 300 ft/min for disposable filters.

**Table 1. Air Filter Requirements**

- If a combination of indoor and outdoor air is used, the ducts and damper system must be designed so that the return air supply to the furnace is equal to the return air supply under normal, indoor return air applications.

### **Air Filter Requirements**

### **WARNING:**

Never operate the unit without a filter in place. Dust and lint could accumulate on internal parts, resulting in loss of efficiency, equipment damage and possible fire.

- This unit is not supplied with air filter(s) and has no factory equipped means for accommodating internal filter(s). A suitable air filter must be installed upstream of the evaporator coil of the return air system. Refer to [Table 1](#) for recommended filter sizes.
- All return air must pass through the filters before entering the evaporator coil. It is important that all filters be kept clean and replaced frequently to ensure proper operation of unit. Dirty or clogged filters will reduce the efficiency of the unit and result in unit shutdowns.
- Air filter pressure drop must not exceed 0.08 inches WC.
- Horizontal and downflow installations require the air filter system be installed in the return air ductwork.

**NOTE TO INSTALLER:** After installing or replacing the filtration system for this unit, add the following statement on or adjacent to the filter service panel: **"Replace filter(s) installed in your system only with the same dimensional size filters that are being replaced."**

### **Unconditioned Spaces**

All duct work passing through unconditioned space must be properly insulated to minimize duct losses and prevent condensation. Use insulation with an outer vapor barrier. Refer to local codes for insulation material requirements.

### **Acoustical Duct Work**

Certain installations may require the use of acoustical lining inside the supply duct work.

- Acoustical insulation must be in accordance with the current revision of the Sheet Metal and Air Conditioning Contractors National Association (SMACNA) application standard for duct liners.
- Duct lining must be UL classified batts or blankets with a fire hazard classification of FHC-25/50 or less.
- Fiber duct work may be used in place of internal duct liners if the fiber duct work is in accordance with the current revision of the SMACNA construction standard on fibrous glass ducts.



Fibrous duct work and internal acoustical lining must be NFPA Class 1 air ducts when tested per UL Standard 181 for Class 1 ducts.

## UNIT INSTALLATION

### Packaging Removal

Remove the shipping carton and user's manual from the equipment. Take care not to damage the tubing connections when removing the carton. For rooftop installations, remove and discard the two supports attached beneath the unit.

### Rigging & Hoisting

#### **WARNING:**

To avoid the risk of property damage, personal injury, or death, it is the rigger's responsibility to ensure that whatever means are used to hoist the unit are safe and adequate:

- The lifting equipment must be adequate for the load. Refer to [Table 8 \(page 23\)](#) for unit weights.
- The unit must be lifted from the holes in the base rails using cables or chains.
- Spreader bars are required to protect the unit and ensure even loading.
- Keep the unit in an upright position at all times. The rigging must be located outside the unit's center of gravity. Refer to [Figure 9 \(page 23\)](#) for locating the center of gravity.
- All panels must be securely in place during rigging and hoisting.

### Clearances to Combustible Materials

These units are certified as combination heating and cooling equipment for outdoor rooftop or ground level installations. Units may be installed on combustible flooring or Class A, B, or C roofing material when used with bottom supply and return air ducts as long as the following requirements are met:

- If using bottom discharge with return air ducts a roof curb must be installed prior to unit installation. See Rigging & Hoisting section for setting of the unit.
- Sufficient clearance for unobstructed airflow through the outdoor coil must also be maintained in order to achieve rated performance. See [page 5](#) for information about locating the equipment.

### Ground Level

Ground level installations must be located according to local building codes or ordinances and these requirements:

- Clearances must be in accordance with those shown in [Figure 1 \(page 5\)](#).
- A suitable mounting pad must be provided and be separate from the building foundation. The pad must be level to ensure proper condensate disposal and strong enough to support the unit's weight. The slab height must be a minimum of 2" (5cm) above grade and with adequate drainage. See [Figure 3](#).
- Remove and discard the horizontal supply and return duct covers located on the rear of the unit. Form duct attachment flanges by bending the sheet metal outward 90 degrees along the perforated lines.

- Firmly attach ductwork directly to these flanges with screws or other approved mechanical connections and not to the supply/return air panels to avoid damage to internal components of the equipment. Afterwards, use approved duct sealing methods to ensure an air and watertight seal is achieved.

### Rooftop

Rooftop installations must be located according to local building codes or ordinances and these requirements:

- The roof must be capable of handling the weight of the unit. For unit weights, see [Table 8 \(page 23\)](#). Reinforce the roof if necessary.
- The appropriate accessory roof curb must be installed prior to unit installation. The roof curb must be square and level to ensure proper condensate drainage. See [Figure 4 \(page 10\)](#). Please follow all instructions provided with the kit.
- Secure roof curb or frame to roof using acceptable mechanical methods per local codes. **NOTE:** Make sure the two supports beneath the unit have been removed.

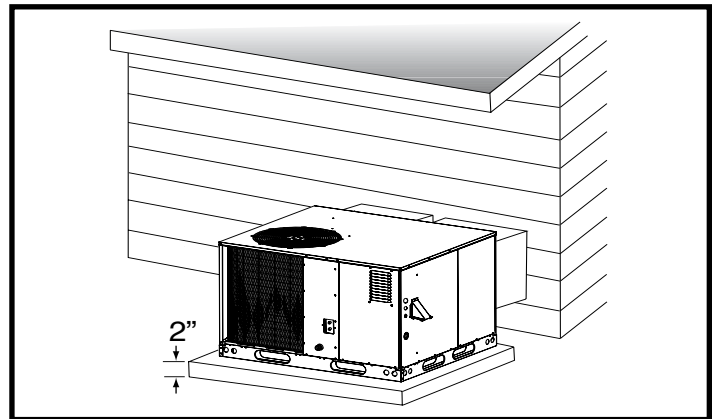
### Horizontal to Downflow Conversion

The unit is shipped ready for horizontal duct connections. If down flow ducts are required, the unit must be converted following the steps below for both the supply and return ducts.

1. Remove both horizontal duct caps.
2. Locate the duct cap inside the duct openings and remove the screw holding it in place.
3. Lift the cap out of the unit. (**Hint:** The cap can be pushed up from the bottom by reaching through the fork slot).
4. Cover the horizontal duct openings with the horizontal duct caps. The insulation will be on the indoor side.
5. Fasten the cover with screws to seal.

### Condensate Drain

Condensate is removed from the unit through the 3/4" female pipe fitting (Figure 5) located on the front side of the unit. Install a 2 inch condensate trap in the drain line of the same size and prime with water. When connecting rigid drain line, hold the female fitting with a wrench to prevent twisting. **Do not over tighten!** Refer to local codes and restrictions for proper condensate disposal requirements.



**Figure 3. Ground Level Installation**

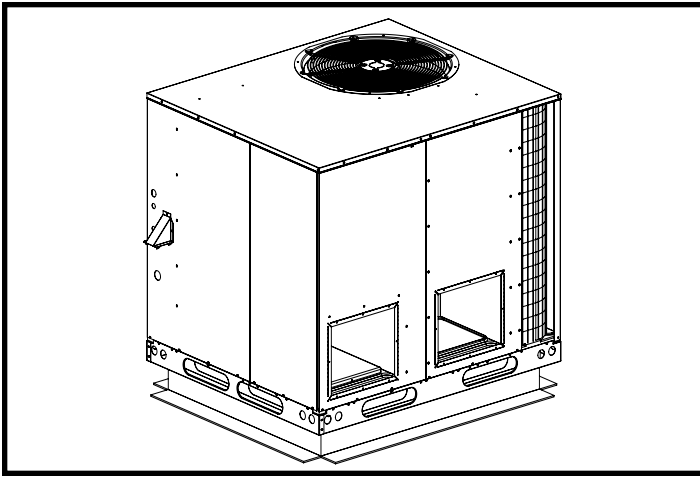


Figure 4. Roof Top Installation

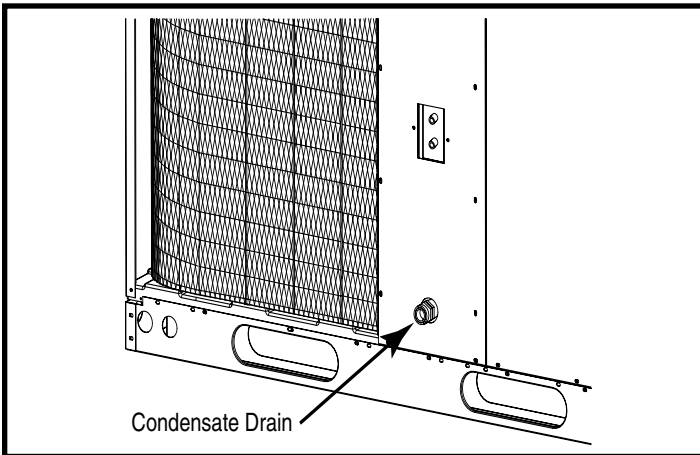


Figure 5. Condensate Drain Location

## ELECTRICAL WIRING

### **⚠ WARNING:**

#### **ELECTRICAL SHOCK, FIRE OR EXPLOSION HAZARD**

Failure to follow safety warnings exactly could result in serious injury or property damage.

Improper servicing could result in dangerous operation, serious injury, death or property damage.

- Before servicing, disconnect all electrical power to furnace.
- When servicing controls, label all wires prior to disconnecting. Reconnect wires correctly.
- Verify proper operation after servicing.

### **⚠ AVERTISSEMENT:**

#### **RISQUE DE CHOC ÉLECTRIQUE, D'INCENDIE OU D'EXPLOSION**

Le non-respect des avertissements de sécurité pourrait entraîner un fonctionnement dangereux de l'appareil, des blessures graves, la mort ou des dommages matériels.

Un entretien incorrect pourrait entraîner un fonctionnement dangereux de l'appareil, des blessures graves, la mort ou des dommages matériels

- Couper toute alimentation électrique au générateur d'air chaud avant de prodéder aux travaux d'entretien.
- Au moment de l'entretien des commandes, étiquetez tous les fils avant de les débrancher. S'assurer de les raccorder correctement.
- S'assurer que l'appareil fonctionne adéquatement après l'entretien.

- Electrical connections must be in compliance with all applicable local codes and ordinances, and with the current revision of the National Electric Code (ANSI/NFPA 70).
- For Canadian installations the electrical connections and grounding shall comply with the current Canadian Electrical Code (CSA C22.1 and/or local codes).

### **Pre-Electrical Checklist**

- ✓ Verify the voltage, frequency, and phase of the supply source match the specifications on the unit rating plate.
- ✓ Verify that the service provided by the utility is sufficient to handle the additional load imposed by this equipment. See [Table 2 \(page 11\)](#) or the unit wiring label for proper high and low voltage wiring.
- ✓ Verify factory wiring is in accordance with the units wiring diagram. See [Figure 13 \(page 28\)](#), [Figure 14 \(page 29\)](#), or the unit wiring label. Verify the connections didn't loosen during shipping or installation.

MODEL NUMBER	MAXIMUM HEATING INPUT	NOMINAL ELECTRICAL SUPPLY	VOLTAGE RANGE		COMPRESSOR		FAN MOTOR FLA	INDOOR BLOWER FLA	SINGLE CIRCUIT	
			MIN	MAX	RLA	LRA			MCA	MOP
X24K080XB	80,000	208-230/60/1	187	253	11.7	58.3	0.91	4.3	20.3	30.0
X36K100XB	100,000	208-230/60/1	187	253	15.3	83.0	1.46	4.3	25.4	40.0
X48K120XB	120,000	208-230/60/1	187	253	21.2	104.0	1.46	9.1	37.5	50.0
X60K120XB	120,000	208-230/60/1	187	253	28.8	152.9	1.46	9.1	47.0	70.0

**NOTE:** FLA = Full Load Amps; LRA = Lock Rotor amps; RLA = Rated Load Amps.

**Table 2. Electrical Data**

## Line Voltage

- The line voltage to the unit should be supplied from a dedicated branch circuit containing the correct fuse or circuit breaker for the unit.
- An electrical disconnect must be located within sight of and readily accessible to the unit.** This switch shall be capable of electrically de-energizing the outdoor unit. See unit data label for proper incoming field wiring. Any other wiring methods must be acceptable to authority having jurisdiction.
- Use only copper wire for the line voltage power supply to this unit ([Table 3 \(page 12\)](#)). Use proper code agency listed conduit and a conduit connector for connecting the supply wires to the unit. Use of rain tight conduit is recommended.
- Provide power supply for the unit in accordance with [Figure 13 \(page 28\)](#), [Figure 14 \(page 29\)](#), and the units rating plate.
- Overcurrent protection must be provided at the branch circuit distribution panel and sized as shown on the unit rating label and according to applicable local codes. See the unit rating plate for maximum circuit ampacity and maximum overcurrent protection limits.
- A wiring diagram is located on the inside cover of the control access panel of the outdoor unit. The installer should become familiar with the wiring diagram before making any electrical connections to the outdoor unit. See [Figure 13](#), [Figure 14](#), or the units rating plate.
- If any of the original wires supplied with the unit must be replaced, they must be replaced with material of the same gauge and temperature rating.
- Units are shipped from the factory wired for 240 volt transformer operation. For 208V operation, remove the lead from the transformer terminal marked 240V and connect it to the terminal marked 208V.
- Connect the line-voltage leads to the terminals on the contactor inside the control compartment.

## Thermostat / Low Voltage Connections

- These Gas / Electric units are designed to operate with a 24 VAC Class II control circuit. The control circuit wiring must comply with the current provisions of the NEC (ANSI/NFPA 70) and with applicable local codes having jurisdiction. Thermostat connections should be made in accordance with the instructions supplied with the thermostat and the indoor equipment.
- These units use a special 2 speed compressor to achieve a high level of efficiency in a compact frame. A 2 stage cooling / 2 stage heating 24V thermostat should be used with this unit. See [Figure 11 \(page 27\)](#).
- The low voltage wires must be properly connected to the units low voltage terminal block. Route 24V control wires through the gas furnace side of the unit. Recommended wire

gauge and wire lengths for typical thermostat connections are listed in [Table 4 \(page 12\)](#).

- The thermostat should be mounted about 5 feet above the floor on an inside wall. DO NOT install the thermostat on an outside wall or any other location where its operation may be adversely affected by radiant heat from fireplaces, sunlight, or lighting fixtures, and convective heat from warm air registers or electrical appliances. Refer to the thermostat manufacturer's instruction sheet for detailed mounting information.

### For 208Volt Operation Only:

- Units are shipped from the factory wired for 240 volt transformer operation. For 208V operation, remove the lead from the transformer terminal marked 240V and connect it to the terminal marked 208V.
- The inducer motor low speed resistor must be by-passed for 208 Volt operation. Remove the insulated quick connect from one side of the resistor block and connect to piggyback terminal on opposite side to complete motor circuit.

## Heat / Cool Thermostat

### **2 Stage Heat / 2 Stage Cool Thermostat (Recommended):**

For highest efficiency a 2 Stage Heating/Cooling thermostat is recommended for this product. A 2 Stage Cool thermostat is required for control of the special 2 speed compressor. A 2 Stage Heat thermostat will allow the gas heat to operate at a more efficient low heat condition until there is a demand for higher heat output to the conditioned space. See [Figure 11](#).

### **Single Stage Heat / 2 Stage Cool Thermostat (Optional):**

A 2 Stage Cool thermostat is required for control of the special 2 speed compressor. A single stage Heat thermostat can be used in conjunction with the automatic heat staging jumper on the ignition control board. The heat staging function will automatically move the unit into high heat operation at the time interval selected:

None = Low heat operation only, 5 = 5 minute delay from low to high heat mode, and 10 = 10 minute delay from low to high heat mode. See [Figure 12 \(page 27\)](#).

Connect the Red, Yellow, Green, Blue, White, and Brown (optional) low voltage thermostat wires to terminals **R**, **Y1** (1st Stage Cool), **G**, **Y2** (2nd Stage Cool), **W1** (1st Stage Heat), & **W2** (2nd Stage Heat-optional) on both the thermostat sub-base and unit low voltage terminal board. The **C** terminal (Black wire), is the 24V common wire required on some thermostat models. See [Figure 13](#), [Figure 14](#), or the units rating plate.

COPPER WIRE SIZE — AWG (1% VOLTAGE DROP)				
SUPPLY WIRE LENGTH-FEET				SUPPLY CIRCUIT AMPACITY
200	150	100	50	
6	8	10	14	15
4	6	8	12	20
4	6	8	10	25
4	4	6	10	30
3	4	6	8	35
3	4	6	8	40
2	3	4	6	45
2	3	4	6	50
2	3	4	6	55
1	2	3	4	60

**NOTE:** Wire Size based on N.E.C. for 60° type copper conductors.

**Table 3. Copper Wire Size**

WIRE GAUGE	RECOMMENDED MAXIMUM WIRE LENGTH (FT) FROM UNIT TO THERMOSTAT
22	45
20	70
18	115
16	180

**Table 4. Thermostat Wire Gauge**

### Checking Heat Anticipator Settings

- Add the current draw of the system components.  
OR
- Measure the current flow on the thermostat **R-W** circuit after the circulating blower motor has started. Set the heat anticipator according to the thermostat manufacturer's instructions for heat anticipator settings.

### Heating Configurations

This furnace is factory configured for two stage gas heating operation with a two stage heating thermostat. Connect the low voltage thermostat **White & Brown** wires to **W1 & W2**, between the unit low voltage terminal board and thermostat sub-base.

To operate with a single stage heat thermostat, only connect the low voltage thermostat **White** wire between **W1** on the unit low voltage terminal board and thermostat sub-base. Reposition the automatic heat staging jumper located on the ignition control module from **NONE** to 5 or 10 for the desired delay in minutes before the gas furnace will automatically move to high heat operation. See [Figure 12 \(page 27\)](#).

**NOTE:** When low fire on the gas valve is energized, the furnace operates in low fire mode at a lower blower speed and the timer begins its delay function. If the room thermostat is not satisfied before the timer activates, the furnace will stage to high fire. The inducer motor and blower will ramp to a higher speed until the thermostat is satisfied.

### Configuring the Variable Speed Blower

The variable speed blower has been designed to give the installer maximum flexibility for optimizing system performance, efficiency, and comfort. It is equipped with a microprocessor-controlled variable speed motor that is pre-programmed to deliver optimum airflow in a variety of conditions and system configurations. Because the blower can be configured in many ways, it is important to read and follow all instructions carefully.

## CAUTION:

**To avoid personal injury or property damage, make certain that the motor leads cannot come into contact with any uninsulated metal components of the unit.**

Before operation, the variable speed blower must be configured to match the unit with the system, climatic conditions, and other system options. With the blower installed and configured properly, the furnace will gradually change speed in response to changes in system variables such as thermostat settings, duct static, filters, etc. The variable speed blower is configured by setting the heat, cool, and adjust jumpers located on the ignition control board as described below. See [Figure 12](#).

### Selecting Cooling Airflow

The cooling airflow is selected by setting the Cool and Adjust jumpers on the ignition control board. [Table 10 \(page 24\)](#) lists the recommended airflow values (CFM) and selector tap settings for each nominal system capacity. All airflows for other modes of operation (except secondary gas heat) are determined by this basic setting. For maximum capacity, generally, a selection at or near the top of the CFM range for that nominal capacity is best.

#### NOTES:

- The CFM values listed in [Table 10](#) are not dependent on duct static pressure. The motor automatically compensates (within the limits of the motor) for changes in duct static pressure.
- If coil icing occurs, the basic cooling airflow selected may be too low. Verify the selected setting is within the range shown in [Table 10](#) and the system is properly charged. If icing continues, raise the selected airflow to the next higher tap.
- For maximum dehumidification and energy efficiency, select an airflow near the middle or bottom of the CFM range for that nominal capacity.
- The 2-stage cooling feature of the unit requires modulating the airflow. The unit will automatically adjust the airflow to the appropriate rate when the unit capacity changes.

### Selecting Gas Heating Airflow

The heating airflow is selected by setting the heat jumper to the desired tap (A,B,C, or D) located on the ignition control board. Refer to [Table 11 \(page 24\)](#) and select a nominal rise based on the furnace's nominal efficiency and firing input. Follow across the table row to find the tap setting and nominal air-flow. Verify the selected rise is within the specification shown on the furnace rating label.

### Optional Humidistat

An optional humidistat may be installed in the return air duct for humidity control (when needed), maximum system capacity and energy efficiency. The humidistat senses when humidity in the return air stream is above a preset level and sends a signal to the motor to reduce airflow. This allows more moisture to be removed until the humidity level drops. **NOTE:** The indoor blower motor of this packaged unit is pre-programmed for humidistat operation. Remove the **Red** jumper wire between the **R** and **DEHUM** terminals on the ignition control board.

If installing a humidistat, install it in the return air duct as directed in the installation instructions included with the kit.

Wire the humidistat through the low-voltage wire entrance in the packaged unit to the screw terminals marked **R & DEHUM**.  
**Wire the humidistat to open on rise in humidity.**

When the HI/LO Dehumidify **Green** LED status light is ON, it signals Low Humidity and keeps 24V supplied to the motor for normal airflow requirements. If the humidity level of the conditioned space increases the humidistat will open. Loss of the 24V signal to the indoor blower motor allows the motor to reduce to approximately 75% of normal airflow selected until the humidity level drops. The **Green** LED is OFF during high humidity conditions. See [Figure 12 \(page 27\)](#).

Check all factory wiring to the units wiring diagram. Inspect the factory wiring connections to be sure none loosened during shipping or installation.

### Optional Comfort Alert™ Diagnostics Module

The Comfort Alert™ Diagnostics Module is a breakthrough innovation for troubleshooting heat pump and air conditioning system failures. The module installs easily in the electrical box of the outdoor unit near the compressor contactor. By monitoring and analyzing data from the Copeland scroll compressor and the thermostat demand, the module can accurately detect the cause of electrical and system related failures without any sensors. A flashing LED indicator communicates the ALERT code and a diagnostic key is also imprinted on the side of the module to quickly direct the technician to the root cause of a problem. See [Figure 6](#).

**NOTE:** This module does not provide safety protection! The Comfort Alert™ Diagnostics Module is a monitoring device and cannot control or shut down other devices.

### 24 VAC Power Wiring

The Comfort Alert™ module requires a constant nominal 24 VAC power supply. The module should be powered by an **R & C** that doesn't have the potential for loss of power due to safety controls, defrost boards, or other control boards which could lead to nuisance alerts.

### Thermostat Demand Wiring

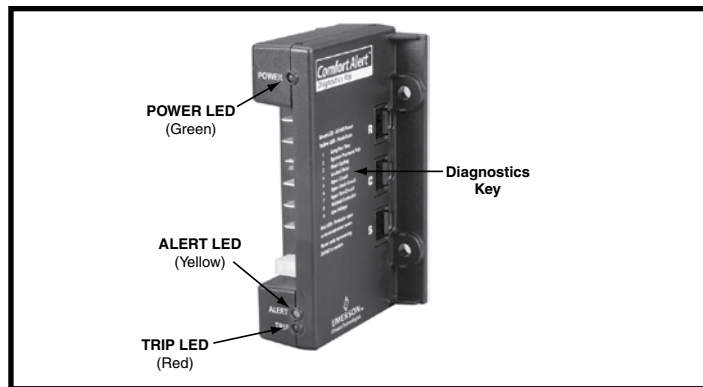
The Comfort Alert module requires a two stage thermostat to operate properly. The **Y2** thermostat wire entering the outdoor unit should be connected to the **Y2** input on the unit terminal strip.

While the compressor is running, Comfort Alert will provide power to the second stage cooling solenoid inside the compressor after **Y2** has been energized for 5 seconds. When the compressor is not running, Comfort Alert will not power the solenoid, regardless of the state of **Y2**. If Alert codes 1 or 9 appear while the compressor is running, Comfort Alert will turn off the solenoid to prevent solenoid damage from overheating conditions.

### L Terminal Wiring

**White-Rodgers Compatible Thermostats** - The **L** connection is used to communicate Comfort Alert codes to compatible White-Rodgers thermostats. The **L** terminal of these thermostats should be connected directly to the Comfort Alert **L** terminal. See [Figure 13](#), [Figure 14](#), or the units rating plate for correct field wiring connections.

**NOTE:** On some White-Rodgers compatible thermostats, an icon on the thermostat display will flash at the same rate as the Comfort Alert yellow Alert LED. An advanced option on these thermostats is to lock out the compressor when certain



**Figure 6. Comfort Alert™ Diagnostics Module**

Alert codes are detected in indicating impending compressor damage. Refer to White-Rodgers thermostat manuals for more information.

### DC SOL Connection

The two pin **DC SOL** connector provides a connection to the Copeland UltraTech second stage compressor solenoid. See [Figure 13 \(page 28\)](#). This 24VDC solenoid is internal to the compressor and will not operate properly if 24VAC is applied to the compressor solenoid terminals.

To reduce the VA load of the solenoid on the system, Comfort Alert uses a phase control method to reduce the DC voltage to the solenoid to the minimum level required to keep the solenoid pulled in. As the 24VAC supply voltage varies, Comfort Alert intelligently changes the solenoid DC voltage supply to minimize power consumption. A voltmeter attached to the **DC SOL** output will measure 4 - 18VDC, when solenoid should be energized, depending on the level of the 24 VAC supply.

### Interpreting the Diagnostic LED's

When an abnormal system condition occurs, the Comfort Alert™ module displays the appropriate ALERT and/or TRIP LED. The yellow ALERT LED will flash a number of times consecutively, pause and then repeat. To identify a Flash Code number, count the number of consecutive flashes. See [Table 14 \(page 30\)](#) for flash code identification or [Table 15 \(page 31\)](#) for module wiring troubleshooting.

Each time the module powers up, the last ALERT Flash Code that occurred prior to shut down is displayed for one minute. The module will continue to display the LED until the condition returns to normal or if 24 VAC power is removed from the module.

### LED Description

- **POWER LED (Green):** indicates voltage is present at the power connection of the module.
- **ALERT LED (Yellow):** communicates an abnormal system condition through a unique flash code. **NOTE:** The ALERT LED will flash consecutively, pause and then repeat the process. The number of consecutive flashes, referred to as the Flash Code, correlates to a particular abnormal condition. Detailed descriptions of these ALERT Flash Codes are listed in [Table 14](#).
- **TRIP LED (Red):** indicates a demand signal is received from the thermostat, but current to the compressor is not detected by the module. The TRIP LED typically indicates if the compressor protector is open or the compressor has no power.

The scroll compressor's **R** (run), **C** (common), and **S** (start) wires are routed through the holes in the Comfort Alert™ module marked **R**, **C**, & **S**. **NOTE:** The common wire does not need to be routed through the module for it to operate.

### Installation Verification

To verify the Comfort Alert is correctly installed, two functional tests can be performed.

1. Disconnect power from the compressor and force a thermostat call for cooling. **NOTE:** The Trip LED (red) should turn on indicating a compressor trip as long as 24VAC is measured at the **Y** terminal. If the Trip LED does not function as described, refer to [Figure 13 \(page 28\)](#), [Figure 14 \(page 29\)](#), or the units rating plate.
2. Disconnect power from the compressor and 24VAC from Comfort Alert.
3. Remove the wire from **Y** terminal of Comfort Alert, reapply 24VAC power to Comfort Alert and reconnect power to the compressor.
4. Set the thermostat's system mode to COOL. **NOTE:** When the compressor starts to run, the Alert LED (yellow) will begin flashing a Code 8 indicating a welded contactor.
5. Disconnect power from the compressor and 24VAC from Comfort Alert.
6. With Comfort Alert OFF, reattach the wire to the **Y** terminal. Reapply power to compressor and 24VAC to Comfort Alert. **NOTE:** The Alert LED (yellow) will flash the previous code 8 for 1 minute and then turn off. If the yellow LED does not function, refer to [Figure 13](#), [Figure 14](#), or the units rating plate.

### Troubleshooting the Installation

Depending on system configuration, some ALERT Flash codes may not be active. The presence of safety switches affects how the system alerts are displayed by this module.

### Resetting Alert Codes

Alert Codes can be reset manually and automatically. The manual method to reset an Alert code is to cycle the power to Comfort Alert off and on. For automatic reset, Comfort Alert continues to monitor the compressor and system after an Alert is detected. If conditions return to normal, the Alert code is turned off automatically.

### Grounding

#### **WARNING:**

**The unit cabinet must have an uninterrupted or unbroken electrical ground to minimize personal injury if an electrical fault should occur. Do not use gas piping as an electrical ground!**

This unit must be electrically grounded in accordance with local codes or, in the absence of local codes, with the National Electrical Code (ANSI/NFPA 70) or the CSA C22.1 Electrical Code. Use the grounding lug provided in the control box for grounding the unit.

## GAS SUPPLY & PIPING

### **WARNING:**

#### **FIRE OR EXPLOSION HAZARD**

- Failure to follow safety warnings exactly could result in serious injury or property damage.
- Installation and service must be performed by a qualified installer, service agency or the gas supplier.
- Do not store or use gasoline or other flammable vapors and liquids in the vicinity of this or any other appliance.

#### **WHAT TO DO IF YOU SMELL GAS**

- Do not try to light any appliance.
- Do not touch any electrical switch; do not use any phone in your building.
- Leave the building immediately.
- Immediately call your gas supplier from a neighbor's phone. Follow the gas supplier's instructions.
- If you cannot reach your gas supplier, call the fire department.

### **AVERTISSEMENT:**

#### **RISQUE D'INCENDIE OU D'EXPLOSION**

- Le non-respect des avertissements de sécurité pourrait entraîner des blessures graves, la mort ou des dommages matériels.
- L'installation et l'entretien doivent être effectués par un installateur qualifié, un organisme de service ou le fournisseur de gazstaller, service agency or the gas supplier.
- Ne pas entreposer ni utiliser de l'essence ni d'autres vapeurs ou liquides inflammables dans le voisinage de cet appareil, ni de tout autre appareil.

#### **QUE FAIRE S'IL Y A UNE ODEUR DE GAZ**

- Ne pas tenter d'allumer aucun appareil.
- Ne toucher à aucun interrupteur électrique; n'utiliser aucun téléphone dans le bâtiment.
- Évacuer l'immeuble immédiatement.
- Appeler immédiatement le fournisseur de gaz en employant le téléphone d'un voisin. Respecter à la lettre les instructions du fournisseur de gaz.
- Si personne ne répond, appeler le service des incendies.

- All gas piping must be installed in compliance with local codes and utility regulations. In the absence of local codes the gas line installation must comply with the latest edition of the National Fuel Gas Code ANSI Z223.1 or CAN/CGA B149 Installation Codes.
- Some local codes require the installation of a manual main shut-off valve and ground joint union external to the furnace. See [Figure 7 \(page 15\)](#). The shut-off valve should be readily accessible for service and/or emergency use. Consult the local utility or gas supplier for additional requirements regarding placement of the manual main gas shut-off.
- The manifold pressure must be set to the appropriate value for your installation. Refer to the Manifold

Pressure Adjustment section (page 18) for adjustment instructions.

- Gas piping must never run in or through air ducts, chimneys, gas vents, or elevator shafts.
- Compounds used to seal joints on gas piping must be resistant to the actions of LP propane gas.
- The main gas valve and main power disconnect to the furnace must be properly labeled by the installer in case emergency shutdown is required.
- An 1/8 inch NPT plugged tap must be installed in the gas line immediately upstream of the gas supply connection to the furnace for use when measuring the gas supply pressure. The plug should be readily accessible for service use.
- A drip leg should be installed in the vertical pipe run to the unit (Figure 7).

This unit only has right side gas entry. When connecting the gas, provide clearance between the gas supply line and the entry hole in the unit's casing to avoid unwanted noise and/or damage to the unit. A typical gas service hookup is shown in Figure 7.

Table 12 (page 25) lists gas pipe capacities for standard pipe sizes as a function of length in typical applications based on nominal pressure drop in the line.

### Leak Check

<b>⚠ WARNING:</b>
<b>FIRE OR EXPLOSION HAZARD</b>
<p>Failure to follow safety warnings exactly could result in serious injury or property damage.</p> <p>Never test for gas leaks with an open flame. Use a commercially available soap solution made specifically for the detection of leaks to check all connections. A fire or explosion may result causing property damage, personal injury or loss of life.</p>

<b>⚠ AVERTISSEMENT:</b>
<b>RISQUE D'INDENNIE OU D'EXPLOSION</b>
<p>Si les consignes de sécurité ne sont pas suivies à la lettre, cela peut entraîner la mort, de graves blessures ou des dommages matériels.</p> <p>Ne jamais vérifier la présence de fuites de gaz au moyen d'une flamme nue. Vérifier tous les raccords en utilisant une solution savonneuse commerciale conçue spécialement pour la détection de fuites. Un incendie ou une explosion risque de se produire, ce qui peut entraîner la mort, des blessures ou des dommages matériels.</p>

After the gas piping to the unit is complete, all connections must be tested for gas leaks. This includes pipe connections at the main gas valve, emergency shutoff valve and other gas connectors. A soap and water solution can be applied on each joint or union using a small paintbrush. If any bubbling is observed, the connection is not sealed adequately and must be retightened. Repeat the tightening and soap check process until bubbling ceases.

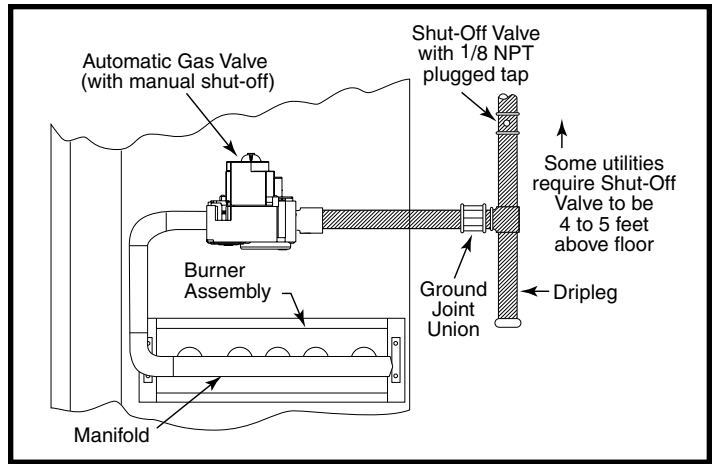


Figure 7. Typical Gas Hookup - Right Side Entry

- If pressure testing the gas supply lines at pressures greater than 1/2 psig (14 inches WC), the unit must be disconnected from the gas supply piping system to prevent damage to the gas valve.
- If the test pressure is less than or equal to 1/2 psig (14 inches WC), the unit must be isolated from the gas supply line by closing the manual shut-off valve.

### High Altitude Conversion

Conversion of this unit must be performed by qualified service personnel, using only approved parts. All installations must be made in accordance with the National Fuel Gas Code and/or local jurisdiction codes.

High altitude conversion can be field performed by a simple adjustment of manifold pressure or a change of the orifices (if necessary) as described on page 18. The changes required depend on the installation altitude and the heating value of the gas (based on sea level) which can be obtained from your local gas utility. The heating value of gas at high altitude is always lower than the sea level heating value. The heating values listed in Table 5 & Table 6 (page 16) are based on sea level values.

<b>⚠ WARNING:</b>
<p>The reduction of input rating necessary for high altitude installation may only be accomplished with factory supplied orifices. Do not attempt to drill out orifices in the field. Improperly drilled orifices may cause fire, explosion, carbon monoxide poisoning, personal injury or death.</p>

If installing this unit above 2,000 feet, the input rate must be reduced 4% per 1,000 feet of altitude (Example: 12% at 3,000 feet, 16% at 4,000 feet, etc). **NOTE:** Deration is necessary to compensate for low atmospheric pressure at high altitudes.

For altitudes between 5,000 and 10,000 feet above sea level, the unit can be converted by changing the orifice and adjusting the furnace manifold pressure. See Table 5 for the correct orifice and manifold pressure setting. **NOTE:** Each unit has specific orifices.

R6GF-X24K080XB & R6GF-X36K100XB MANIFOLD PRESSURE FOR NATURAL GAS INSTALLATIONS (IN W.C.)				
ALTITUDE ABOVE SEA LEVEL	HEATING VALUE BTU/CU. FT			ORIFICE SIZE
	800 TO 899 FT	900 TO 999 FT	1,000 TO 1,100 FT	
Zero to 1,999 Ft.	3.5	3.5	3.5	45
2,000 to 2,999 Ft.	3.2	3.2	3.2	45
3,000 to 3,999 Ft.	2.9	2.9	2.9	45
4,000 to 4,999 Ft.	2.7	2.7	2.7	45
5,000 to 5,999 Ft.	3.4	3.4	3.4	48
6,000 to 6,999 Ft.	3.1	3.1	3.1	48
7,000 to 7,999 Ft.	2.9	2.9	2.9	48
8,000 to 8,999 Ft.	2.7	2.7	2.7	48
9,000 to 10,000 Ft.	2.6	2.6	2.6	48

R6GF-X24K080XB & R6GF-X36K100XB MANIFOLD PRESSURE FOR LP/PROPANE INSTALLATIONS (IN W.C.)		
ALTITUDE ABOVE SEA LEVEL	MANIFOLD PRESSURE	ORIFICE SIZE
Zero to 1,999 Ft.	10	55
2,000 to 2,999 Ft.	9.2	55
3,000 to 3,999 Ft.	8.5	55
4,000 to 4,999 Ft.	8	55
5,000 to 5,999 Ft.	10	56
6,000 to 6,999 Ft.	9.2	56
7,000 to 7,999 Ft.	8.5	55
8,000 to 8,999 Ft.	8	56
9,000 to 10,000 Ft.	8	56

R6GF-X48K120XB & R6GF-X60K120XB MANIFOLD PRESSURE FOR NATURAL GAS INSTALLATIONS (IN W.C.)				
ALTITUDE ABOVE SEA LEVEL	HEATING VALUE BTU/CU. FT			ORIFICE SIZE
	800 TO 899 FT	900 TO 999 FT	1,000 TO 1,100 FT	
Zero to 1,999 Ft.	3.5	3.5	3.5	43
2,000 to 2,999 Ft.	3.2	3.2	3.2	43
3,000 to 3,999 Ft.	2.9	2.9	2.9	43
4,000 to 4,999 Ft.	2.7	2.7	2.7	43
5,000 to 5,999 Ft.	3.5	3.5	3.5	45
6,000 to 6,999 Ft.	3.2	3.2	3.2	45
7,000 to 7,999 Ft.	3.0	3.0	3.0	45
8,000 to 8,999 Ft.	2.8	2.8	2.8	45
9,000 to 10,000 Ft.	2.6	2.6	2.6	46

R6GF-X48K120XB & R6GF-X60K120XB MANIFOLD PRESSURE FOR LP/PROPANE INSTALLATIONS (IN W.C.)		
ALTITUDE ABOVE SEA LEVEL	MANIFOLD PRESSURE	ORIFICE SIZE
Zero to 1,999 Ft.	10	54
2,000 to 2,999 Ft.	9.2	54
3,000 to 3,999 Ft.	8.5	54
4,000 to 4,999 Ft.	8	54
5,000 to 5,999 Ft.	9	55
6,000 to 6,999 Ft.	8.2	55
7,000 to 7,999 Ft.	10	56
8,000 to 8,999 Ft.	9	56
9,000 to 10,000 Ft.	8.2	56

Table 5. Manifold Pressure for Natural Gas

Table 6. Manifold Pressure for LP Gas

## LP/Propane Gas Conversion

### WARNING:

**This unit was equipped at the factory for use with natural gas only. A special kit, supplied by the manufacturer, is required to convert the unit to operate on LP/propane gas. Failure to use the proper conversion kit can cause fire, explosion, property damage, carbon monoxide poisoning, personal injury, or death.**

Conversion of this equipment to LP/Propane gas must be made by qualified service personnel, using approved factory parts. Conversion to LP can be accomplished by replacing the natural gas orifices with the appropriate LP/Propane orifices and then adjusting the manifold pressure (page 18). Conversion to LP/Propane (sea level and high altitude) is detailed in the installation instructions provided with the conversion kit. **Please follow the instructions provided in each kit.** Approved conversion kits are:

- The United States LP/Propane Gas Sea Level and High Altitude Conversion Kit is for LP/propane conversion in the United States at altitudes between zero and 10,000 ft. above sea level.
- The Canadian LP/Propane Gas Sea Level and High Altitude Conversion Kit is for LP/propane conversions in Canada at altitudes between zero and 4,500 ft. above sea level.

For LP applications, refer to [Table 6](#) for the correct orifice size and furnace manifold pressure. **NOTE:** Each unit has specific orifices.

After changing the orifices, it is required that you measure the gas input rate by clocking the gas meter and using the local gas heating value. See Verifying & Adjusting the Firing Rate section on [page 18](#).



## START UP & ADJUSTMENTS

### Pre-Start Check List

- ✓ Verify the unit is level and allows proper condensate drainage.
- ✓ Verify all clearance requirements are met and there is free airflow to and from the outdoor coil.
- ✓ Verify that the duct work is sealed to prevent air leakage.
- ✓ Verify that the line voltage power leads are securely connected and the unit is properly grounded.
- ✓ Verify that the low voltage wires are securely connected to the correct leads on the low voltage terminal strip.
- ✓ Verify that the gas line service pressure does not exceed 10.0 inches WC (0.36 psig), and is not less than 4.5 inches WC (0.16 psig) for natural gas. For LP gas the line service pressure must not exceed 14 inches WC (0.51 psig) and must not be less than 11.0 inches WC (0.40 psig).
- ✓ Verify that the flame roll-out control is closed. If necessary, press the red button to reset the control. **DO NOT** install a jumper wire across the control to defeat its function. If the control reopens upon start-up, **DO NOT** reset the control without identifying and correcting the fault condition which caused the control to trip.
- ✓ Verify that the gas line has been purged and all connections are leak tight.
- ✓ Verify that all exterior panels are replaced and securely fastened.
- ✓ Verify that the outdoor fan turns freely.
- ✓ Verify that the power supply branch circuit overcurrent protection is sized properly.
- ✓ Verify that the thermostat is wired correctly. The thermostat function switch should be set to OFF and the thermostat fan switch should be set to AUTO.

### Start-Up Procedure

#### **WARNING:**

**If this unit is equipped with crankcase heaters, allow 24 hrs for heating of the refrigerant compressor crankcase prior to start up and anytime the power has been removed for more than 12 hrs. Failure to comply may result in damage or cause premature failure of the system.**

- Check all electrical wiring for loose connections and tighten as required.
- Check unit for return air filters and condensate trap.
- Close all electrical disconnects to energize the system.

### Air Circulation

Leave the thermostat system mode on OFF and set the fan mode to ON. Blower will run continuously. Check the air delivery at the supply registers and adjust register openings for balanced air distribution. Examine ductwork for leaks or obstruction if insufficient air is detected. Set the thermostat fan mode to AUTO. The blower will stop running.

### System Cooling

1. Set the thermostat's system mode to COOL and the fan mode to AUTO. Lower the thermostat temperature setpoint one degree below room temperature and verify the outdoor unit and blower energize on 1st stage cool.
2. Feel the air being circulated by the indoor blower and verify that it is cooler than ambient temperature. Listen for any

unusual noises. If unusual sounds occur, determine the source of the noise and correct as necessary.

3. Once determining the system is operating properly, after 1-2 minutes lower the thermostat temperature set point an additional 3-4 degrees until the cooling system moves into 2nd stage or high cool operating mode. The compressor and indoor blower will increase in speed.
4. Allow the cooling system to operate for several minutes and then set the temperature selector above room temperature. Verify the fan and compressor cycle off with the thermostat.  
**NOTE:** The blower should also stop in approximately 60 seconds, unless the fan switch is set to the ON position.

### System Heating

1. Set the thermostat to the lowest setting.
2. Follow the procedures given on the operating instruction label, in this installation instructions or attached inside the louvered control access panel.
3. Set the thermostat one degree above room temperature and verify the sequence of operation. See Operating Sequence section on [page 19](#).
4. Verify that the compressor and outdoor fan motor are not energized.
5. After determining the system to be operating properly, (1-2 minutes) raise the thermostat temperature set point an additional 3-4 degrees until the heating system moves into 2nd stage or high heat operating mode. The gas valve will energize to high heat mode while the induced draft motor and indoor blower motor both increase in speed.
6. After the unit has run for approximately five minutes, set the thermostat below room temperature. Verify the shutdown sequence; steps 10 -12 in the Operating Sequence section on [page 19](#).

### Verifying & Adjusting Temperature Rise

Verify the temperature rise through the unit is within the range specified on the unit data label for both high and low firing rates. Temperature rises outside the specified range could result in premature heat exchanger failure.

1. Place thermometers in the return and supply air stream as close to the unit as possible. The thermometer on the supply air side must be shielded against direct radiation from the heat exchanger to avoid false readings.
2. Adjust all registers and duct dampers to the desired position. Run the unit for 10 to 15 minutes before taking any temperature readings. The temperature rise is the difference between the supply and return air temperatures.

**NOTE:** For typical duct systems, the temperature rise will fall within the range specified on the data label (with the blower speed at the factory recommended setting) shown in [Table 9 \(page 24\)](#). If the measured temperature rise falls outside the specified range, it may be necessary to change the blower speed. Lowering the blower speed increases the temperature rise and a higher speed decreases the temperature rise.

The unit is equipped with a variable speed motor. Heating and cooling speed selection is made by changing the tap settings on the ignition control board located in the unit control box. Refer to Configuring the Variable Speed Blower Section ([page 12](#)) for additional information.

The Variable Speed Blower (VSB) is designed with built in delay profiles for start up and shut down of the system. Refer to the Operating Sequence section ([page 19](#)) for more details.

## Verifying & Adjusting Firing Rate

### CAUTION:

**Do not re-drill the burner orifices. If the orifice size must be changed, use only new orifices.**

The firing rate must be verified for each installation to prevent over-firing of the furnace. **The firing rate must not exceed the rate shown on the unit data label.** To determine the firing rate, follow the steps below:

1. Obtain the gas heating value (HHV) from the gas supplier.
2. Shut off all other gas fired appliances.
3. Start the unit in heating mode and allow it to run for at least 3 minutes.
4. Measure the time (in seconds) required for the gas meter to complete one revolution.
5. Convert the time per revolution to cubic feet of gas per hour using [Table 13 \(page 25\)](#).
6. Multiply the gas flow rate in cubic feet per hour by the heating value of the gas in Btu per cubic foot to obtain the firing rate in Btu per hour. See Example.

#### Example:

- Time for 1 revolution of a gas meter with a 1 cubic foot dial = 40 seconds.
- From [Table 13](#), read 90 cubic feet gas per hour.
- Local heating value of the gas (obtained from gas supplier) = 1,040 Btu per cubic foot.
- Input rate = 1,040 x 90 = 93,600 Btuh.

7. Adjust the manifold pressure if necessary. See [page 18](#). For additional information about elevations above 2,000 feet, see [page 15](#).

## Verifying Over-Temperature Limit Control Operation

1. Verify the louvered control access panel is in place and that there is power to the unit.
2. Block the return airflow to the unit by installing a close-off plate in place of or upstream of the filter.
3. Set the thermostat above room temperature and verify the units operating sequence ([page 19](#)).

**NOTE:** The over-temperature limit control should turn off the gas valve within approximately four minutes (exact time depends on the efficiency of the close-off when blocking the return air). The circulating air and combustion blowers should continue to run when the over-temperature limit control switch opens.

4. Remove the close-off plate immediately after the over-temperature limit control opens. If the unit operates for more than four minutes with no return air, set the thermostat below room temperature, shut off power to the unit, and replace the over-temperature limit control.

## Verifying Burner Operation

### WARNING:

**Uninsulated live components are exposed when louvered control access panel is removed.**

1. Remove the louvered control access panel and verify there is power to the unit.
2. Set thermostat above room temperature and observe the ignition sequence. **NOTE:** The burner flame should carry over immediately between all burners without lifting off, curling, or floating. The flames should be blue, without yellow tips. Make sure the flame is drawn into the center of the heat exchanger tube. In a properly adjusted burner assembly, the flame bends down and to the right at the end of the heat exchanger tube. The end of the flame will be out of sight around the bend.
3. After validating flame characteristics, set the thermostat below room temperature and verify the burner flame extinguishes completely.

## Manifold Pressure Adjustment

The manifold pressure must be set to the appropriate value for your installation. To adjust the manifold pressure:

1. Obtain the required manifold pressure setting. Use [Table 5 \(page 16\)](#) for natural gas or [Table 6 \(page 16\)](#) for LP/propane gas. **NOTE:** The values listed in the tables are based on sea level values. At higher altitudes, the heating value of gas is lower than the sea level heating value.
2. Remove the regulator cap. Turn the high fire adjusting screw clockwise to increase the pressure or counterclockwise to reduce the pressure. See [Figure 8](#) for adjusting screw locations.
3. Replace the regulator cap after adjustments are complete.

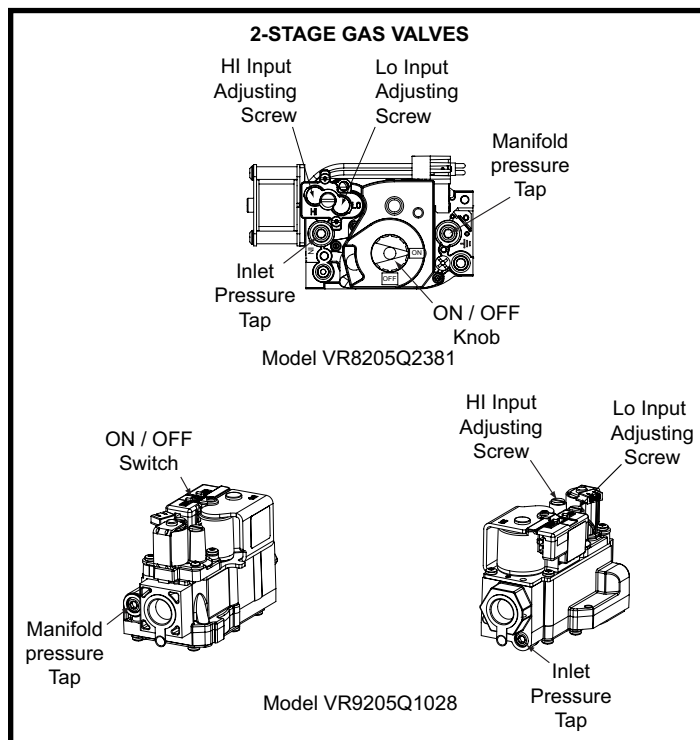


Figure 8. HI & LO Input Adjusting Screws

## OPERATING SEQUENCE

The operating sequences for the heating, cooling, and fan modes are described below. Refer to [Figure 13](#), [Figure 14](#), or the units rating plate.

### Heating Mode

1. On a call for 1st stage heat, the thermostat closes and applies 24 VAC to terminal **W** on the control board.
2. **Safety Circuit Proving** - The control board verifies continuity through the 24VAC limit control circuit. If the high temperature limit switch and flame roll-out switch are closed and both the high and low vent pressure switches are open, the control board will then begin pressure switch proving. If an open limit is detected, the control board will energize the indoor blower motor and operate it continuously while the limit switch circuit is open. All other system functions will be inoperable until the limit circuit closes. While the limit circuit is open, the control will flash **1** on the red LED.
3. The furnace control checks for continuity (24 VAC) across the pressure switch. If the pressure switch is closed, the heat mode sequence will not continue. If it remains closed for 10 seconds, the red LED will flash 3 times repetitively until the fault condition clears.
4. **Pressure Switch Proving** - The control energizes the induced draft motor on **High** speed and waits for the low pressure vent switch to close. If the low pressure switch does not close within 60 seconds, the control will flash **2** on the red LED. If the low pressure switch does not close before 60 seconds expires, the control will de-energize the inducer for 60 minutes and continue to flash **2** during the 60 minute inducer off period. After the inducer has been off for 60 minutes, the control energizes the inducer motor and restarts the 60 second pressure switch proving period.
5. **Pre-Purge** - If the low pressure switch closes the control runs the inducer on high speed for a 30 second pre-purge time while monitoring the thermostat call for heat, limit switch circuit, low pressure switch, and flame sense. High pressure switch is ignored.
6. **Igniter Warm Up** - When the 30 second pre-purge time has elapsed, the control begins the Hot Surface Ignition (HSI) warm-up as follows:

*Initial Power up:* After 30 seconds of igniter warm-up, the gas valves (24 VAC) will open. The igniter circuit will stay energized for 3 seconds after the gas valve opens.

*After Initial Power up:* The control has a programmed adaptive ignition feature which varies the warm-up period as follows: If ignition is successful the warm-up is reduced by 3 seconds on each subsequent call for heat until ignition failure occurs. Upon ignition failure, the warm-up is increased by 3 seconds on the next try. If successful, the timing remains fixed at this level. In general, whenever ignition failure occurs the warm-up interval is increased by 3 seconds on the next try. And if successful, it remains there. Minimum and maximum warm-up time limits are set at 9 and 54 seconds.
7. **Flame Proving / Ignition / Low Heat Operation** - The furnace control must prove flame via the flame sensor 5 seconds after the low main gas valve is energized. If flame is sensed, burners are on and the igniter cools off. If no flame is sensed, the gas valve closes immediately and the inducer continues to run. A second trial for ignition (step 6) begins. If no flame is sensed on the fifth try for ignition, the furnace control is locked and the red LED will flash 4 times repetitively. The

thermostat must be opened for at least ten seconds to reset the furnace control after a lock out. Otherwise, the furnace will attempt another ignition sequence in 1 hour.

**Low Fire Heat (Stage 1):** If flame is present at the end of the trial for ignition time, the control leaves Low main gas valve energized, inducer motor on High speed for the first 15 seconds, and begins the heat blower on delay. Control inputs are continuously monitored while the call for heat remains. The control will always energize the gas valve on Low fire with the inducer on high speed for the first 15 seconds of any heating cycle and ignores any second stage heat demand. After this 15 second period, the control switches inducer to Low speed if no second stage demand is present, or attempts to stage to high heat if thermostat W2 terminal is energized.

8. **Blower Start-Up** - After flame is proven, the furnace control energizes the circulating air blower at a very low speed. After 30 seconds, the blower will ramp to the airflow selected for heating.
  9. **High Heat Staging (with 2 Stage Heat Thermostat)** - Unit will always start in low heat operation. See step 7 for start up sequence. After the initial 15 second start up sequence is satisfied, the control will wait for a W2 call from a 2-stage thermostat. After a second stage heat demand is present (W2 energized), the gas valve will open to High heat mode increasing the flow of gas to the burners while the inducer and blower motor ramp to high speed.
- Single Stage Heat Thermostat with Automatic Heat Staging** - Automatic heat staging allows the unit to operate as a two stage gas furnace with the use of a single stage heating thermostat. With the ignition control AUTO HEAT STAGE jumper repositioned across the desired delay in minutes, 5 or 10, the gas furnace will automatically switch to high heat mode of operation. See [Figure 12 \(page 27\)](#). The induced draft motor and blower motor will both ramp to high speed.
10. When the thermostat has been satisfied, gas valve is de-energized.
  11. The inducer motor is de-energized after a 30 second post purge.
  12. The circulating air blower will remain energized for approximately 120-150 seconds after the demand for heat is no longer present.
  13. **Abnormal Conditions** - If a limit switch opens during heating operation the gas valve is de-energized immediately. The control de-energizes the induced draft motor and runs the indoor blower motor continuously while the limit switch is open.

### Cooling Mode

1. On a call for cooling the thermostat closes, applying 24 VAC to the **G** & **Y1** terminals on the control. This closes the compressor contactor and the compressor operates in 1st stage.
2. The control energizes the circulating blower to 1/3 of the selected airflow for approximately 30 seconds.
3. The circulating blower will then ramp to approximately 3/4 of the selected airflow for another 30 seconds before adjusting to full airflow until the thermostat is satisfied.
4. If the thermostat is not satisfied in the required time, based on the operation of the two-stage cooling thermostat, **Y2** will energize and the compressor will run at second stage and the circulating blower will ramp up to high speed. Refer to the thermostat installation instructions for the cooling profile.

- When the thermostat is satisfied, the **G** & **Y** terminals on the control board are de-energized opening the compressor contactor.
- The circulating air blower will operate at 1/2 of the selected speed for 60 seconds, and de-energize.

### Fan Mode

- On a call for fan operation, the thermostat applies 24 VAC to the **G** terminal on the furnace control board.
- The indoor fan energized with low heat speed.

### EQUIPMENT MAINTENANCE

#### **WARNING:**

#### **ELECTRICAL SHOCK, FIRE OR EXPLOSION HAZARD**

**Failure to follow safety warnings exactly could result in serious injury, death or property damage.**

**Improper servicing could result in dangerous operation, serious injury, death or property damage.**

- **Before servicing, disconnect all electrical power to furnace.**
- **When servicing controls, label all wires prior to disconnecting. Reconnect wires correctly.**
- **Verify proper operation after servicing.**

#### **AVERTISSEMENT:**

#### **RISQUE D'ÉLECTROCUTION, D'INCENDIE OU D'EXPLOSION**

**Si les consignes de sécurité ne sont pas suivies à la lettre, cela peut entraîner la mort, de graves blessures, un fonctionnement dangereux ou des dommages matériels.**

**Un entretien inadéquat peut entraîner la mort, de graves blessures, un fonctionnement dangereux ou des dommages matériels.**

- **Avant de faire l'entretien de l'appareil de chauffage, le débrancher de l'alimentation électrique.**
- **Avant l'entretien des commandes, étiqueter tous les fils avant de les déconnecter. Rebrancher correctement les fils.**
- **Vérifier que l'appareil fonctionne correctement après l'entretien.**

#### **CAUTION:**

**Use care when removing parts from this unit. Personal injury can result from sharp metal edges present in all equipment of sheet metal construction.**

Proper maintenance is important to achieve optimum performance from the system. The ability to properly perform maintenance on this equipment requires certain mechanical

skills and tools. If you do not possess these skills, contact your dealer for maintenance. Consult your local dealer about the availability of maintenance contracts. Routine maintenance should include the following:

#### **CAUTION:**

**The unit should never be operated without a filter in the return air system. Replace disposable filters with the same type and size.**

- Inspect, clean or replace air filters at the beginning of each heating and cooling season, or more frequently if required.
- Inspect the condensate drain and outdoor coil at the beginning of each cooling season. Remove any debris. Clean the outdoor coil and louvers as necessary using a mild detergent and water. Rinse thoroughly with water.
- Inspect the electrical connections for tightness at the beginning of each heating and cooling season.
- The blower compartment should be cleaned monthly during the heating and cooling seasons to remove any dirt and lint that may have accumulated in the compartment or on the blower and motor. Buildup of dirt and lint on the blower and motor can create excessive loads on the motor resulting in higher than normal operating temperatures and possible shortened service life.
- Maintain heat exchanger and burners. The unit should operate for many years without excessive scale buildup in the heat exchanger, however, the heat exchanger, the vent system, and the burners should be inspected and cleaned (if required) by a qualified serviceman annually to ensure continued safe operation. Particular attention must be given to identify deterioration from corrosion or other sources.
- The motors for the circulating air blower, outdoor fan, and combustion blower are pre-lubricated at the factory. No further oiling is required for the life of this product.
- Inspect and clean the screen of the vent cover assembly at the beginning of each heating and cooling season.

### Cleaning of Heat Exchanger

#### **WARNING:**

**Holes in the heat exchanger can cause products of combustion to enter the home. Replace the heat exchanger if leaks are found. Failure to prevent products of combustion from being circulated into the living space can create potentially hazardous conditions including carbon monoxide poisoning that could result in personal injury or death.**

If the heat exchanger must be cleaned due to soot or scale build up, follow the steps below.

- Shut off the gas supply to the unit at the meter or at the manual valve in the gas supply piping.
- Turn off all power to the unit and set the thermostat to the lowest temperature setting.
- Remove the louvered access panel from the unit.
- Turn the control knob on the gas valve to the OFF position. See [Figure 10 \(page 26\)](#) for shut off instructions.
- Disconnect the wires from the gas valve, ignitor, flame sensor, combustion air motor, flame roll-out control, over-temperature limit switch, and pressure switch.

6. Remove the silicone rubber tube from the collector pan to the pressure switch.
7. Remove 4 nuts securing the combustion blower to the collector pan. Remove the combustion blower.
8. Remove all screws securing the collector pan to the unit. Remove the collector pan from the unit.

---

## **CAUTION:**

**To prevent damage to the unit or internal components, it is recommended that two wrenches be used when loosening or tightening nuts. Do not over tighten!**

---

9. Using 2 wrenches, separate the ground-joint union in the gas supply piping at the unit.
10. Remove the piping between the gas valve and the ground-joint union, if necessary.
11. Remove the screws that secure the burner assembly in place and the burner assembly. **BE EXTREMELY CAREFUL NOT TO DAMAGE THE IGNITER WHILE REMOVING THE BURNER ASSEMBLY.**
12. Attach a round wire brush to a length of high grade stainless steel cable, such as drain clean-out cable. Attach the other end of the spring cable to a variable speed reversible drill. Slowly insert and rotate the cable into the top portion of the heat exchanger. Operate the drill alternating between forward and reverse, working the cable in and out several times to obtain sufficient cleaning. Repeat this process at each exchanger tube.
13. Remove all loosened debris from the heat exchanger tubes using high pressure air and vacuum cleaner.
14. Using a light, check the condition of the upper and lower sections of the heat exchanger tube.
15. Inspect the burners and if necessary, clean them carefully with a soft wire brush and/or the nozzle of a vacuum cleaner. **DO NOT DAMAGE THE IGNITOR OR FLAME SENSOR WHILE CLEANING THE BURNER.**
16. Replace all the parts in reverse order from which they were removed.
17. Follow the operating instructions found on the right side door and the User's Information Manual to return the unit to operation.

### **Cleaning of Burners**

If the burners require cleaning, follow the steps below.

1. Shut off the gas supply to the unit either at the meter or at a manual valve in the supply piping.
2. Turn off all power to the unit and set the thermostat to the lowest temperature setting.
3. Remove the louvered control access panel from the unit.
4. Turn the gas control knob to the OFF position. See [Figure 10 \(page 26\)](#) for gas valve shut off instructions.
5. Disconnect the wires from the gas valve, ignitor, and flame sensor.

---

## **CAUTION:**

**To prevent damage to the unit or internal components, it is recommended that two wrenches be used when loosening or tightening nuts. Do not over tighten!**

---

6. Using two wrenches, separate the ground-joint union in the gas supply piping at the unit.
7. Remove the piping between the gas valve and the ground-joint union (if applicable).

8. Remove all screws securing the burner assembly to the furnace.
9. Carefully remove the burner assembly from the furnace. **DO NOT DAMAGE THE IGNITER WHILE REMOVING THE BURNER ASSEMBLY.**
10. Inspect the burners for accumulated dust or debris. If necessary carefully clean them with a soft wire brush and a vacuum cleaner. **DO NOT DAMAGE THE IGNITER WHILE CLEANING THE BURNER.**
11. Replace all the parts in reverse order from which they were removed.
12. Follow the lighting instructions found on the lower unit door to return the unit to operation.
13. Verify proper operation after servicing.

## **REPLACEMENT PARTS**

Replacement parts are available through your distributor. Please have the complete model and serial number of the unit when ordering replacement parts.

### **ELECTRICAL:**

- Capacitors
- Compressors
- Contactors
- Gas Valves
- Ignition Controls
- Ignitors/Flame Sensors
- Pressure Switches
- Relays
- Temperature Limit Switches
- Thermostats
- Time Delay Relays
- Transformers

### **MOTORS:**

- Blower Motor
- Fan Motor
- Inducer Blower Motor

### **COMPONENTS:**

- Blower Assembly
- Burner Manifold
- Burners/Orifices
- Cabinet Panels
- Expansion Valves
- Fan Grille
- Filter/Driers
- Gaskets
- Heat Exchanger

## **COMPONENT FUNCTIONS**

**Comfort Alert™ Diagnostics** -The Comfort Alert diagnostics module troubleshoots heat pump and air conditioning system failures and accurately detects the cause of electrical and system related failures without any sensors. A flashing LED indicator communicates the ALERT code to quickly direct the technician to the root cause of a problem.

**Flame Roll-Out Control** - The flame roll-out control acts to verify that the burner flame is being drawn into the heat exchanger tubes. If the burner flame is not being drawn into the heat exchanger tubes, the roll-out control will open within several seconds and the integrated control diagnostic light will flash one time. If the limit opens, the integrated control diagnostic will flash one time. The circulating air blower will continue to operate while the flame roll-out control is open.

**Flame Sensor** - The flame sensor acts to prove that flame has carried over from the ignitor to the right-most burner. If no flame is sensed, the unit will be shut down automatically.

**Dual Pressure Switch** - The dual pressure switch verifies that the inducer motor is drawing the combustion gases through the heat exchanger tubes and venting the gases through the vent system for both high and low fire conditions.

**Gas Valve** - The gas valve controls the flow of gas to the burners in both low and high fire. When the gas valve is energized it

automatically opens and regulates the gas pressure in the manifold. See [Figure 8 \(page 18\)](#).

**Over-Temperature Limit Control** - The over-temperature limit control prevents the air temperature leaving the unit from exceeding the maximum outlet air temperature. If the limit opens, the integrated control diagnostic will flash one time. The circulating air blower will continue to operate while the over-temperature limit control is open.

### TROUBLESHOOTING

If the unit does not operate in the cooling mode, check the following:

- The thermostat is operating properly
- Electrical power to the unit is turned on
- The filters are not dirty
- The service doors are in place
- The 5 amp fuse is operational

If the unit does not operate in the heating mode, check the following:

- The thermostat is operating properly
- Electrical power to the unit is turned on
- The filters are not dirty
- The gas is turned on and the manual shut-off valve is open
- The service doors are in place
- The flame roll-out control is closed
- The diagnostic codes listed in [Table 7](#) or the units wiring diagrams: [Figure 13 \(page 28\)](#) & [Figure 14 \(page 29\)](#).
- The 5 amp fuse is operational

SYSTEM STATUS - IGNITION	LED STATUS (RED)
Power On (Normal Operation)	ON
High Limit Circuit Open	1 Flash
Pressure Switch Open with Inducer On	2 Flashes
Pressure Switch Closed with Inducer Off	3 Flashes
Failed Ignition (5 attempts) - Control in 1 Hour Lockout	4 Flashes
208-230 Volt Polarity Issue	5 Flashes
Excess High limit trips (5) within one call for heat	6 Flashes
Excess pressure switch cycles (5) within one call for heat	7 Flashes
Excess flame dropouts (5) within one call for heat	8 Flashes
Not Used	9 Flashes
Flame present with gas valve Off	10 Flashes

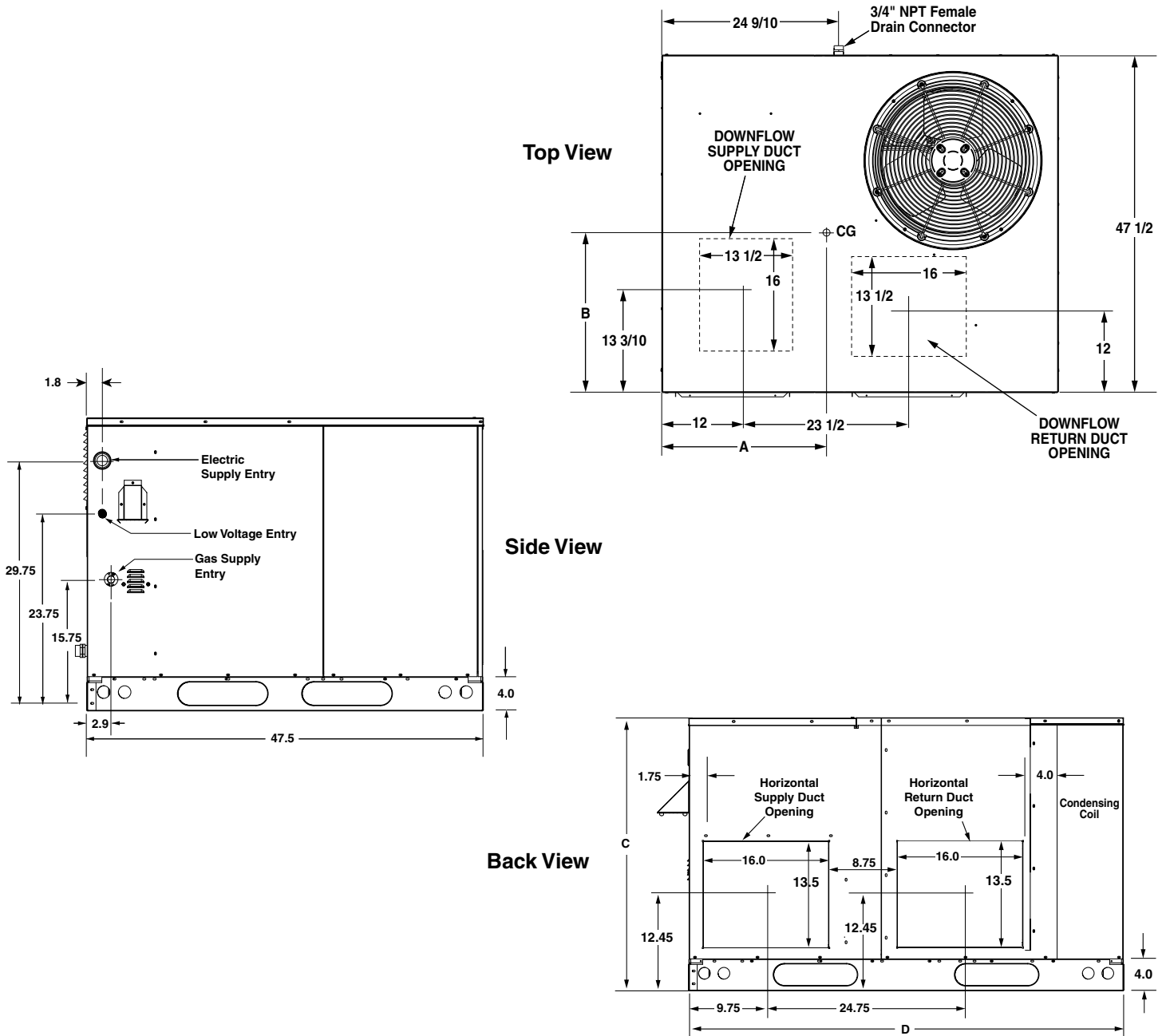
SYSTEM STATUS - 2ND STAGE HEAT DEMAND	LED STATUS (GREEN)
No demand for 2nd stage heat	OFF
2nd stage heat demand (Normal operation)	ON
2nd stage heat demand, high pressure switch not closed	Flashing

SYSTEM STATUS - HI/LO DEHUMIDIFY (COOLING MODE ONLY)	LED STATUS (GREEN)
Factory jumper wire "R" to "DEHUM" in place or "Close on Fall" humidistat (Low humidity) - Closed	ON
Humidistat open (High Humidity) Low Speed Blower call	OFF

SYSTEM STATUS - CFM	LED STATUS (YELLOW)
NOT USED	OFF

**Table 7. Ignition / Blower Control Diagnostic Codes**

## FIGURES & TABLES



**Figure 9. Unit Dimensions**

MODEL NUMBER	UNIT WEIGHT	CENTER OF GRAVITY		HEIGHT (IN INCHES)		D
		A	B	C		
				WITH BASE RAILS	WITHOUT BASE RAILS	
X24K080XB	460	26.0	27.0	39.0	35.3	55.8
X36K100XB	480	26.0	27.0	39.0	35.3	55.8
X48K120XB	609	27.0	26.5	47.0	43.3	55.8
X60K120XB	659	30.0	26.5	47.0	43.3	63.6*

\*Extended base pan models use same roof curb as 2 - 4 ton units.

**Table 8. Center of Gravity & Unit Shipping Weights**

## Airflow Data

MODEL NUMBER	HEATING INPUT (BTUH)	HEATING OUTPUT (BTUH)	CFM RANGE	HEATING RISE RANGE (° F)	COOLING OUTPUT (BTUH)	BLOWER SIZE	MOTOR (HP)
X24K080XB	80,000	64,800	1100 - 1350	35-65	24,000	10 X 10	1/2
	52,000	42,120	750 - 1050				
X36K100XB	100,000	81,000	1100 - 1400	40-70	35,200	10 X 10	1/2
	65,000	52,650	950 - 1100				
X48K120XB	120,000	97,200	1500 - 2000	40-70	47,000	11 X 10	1
	78,000	63,180	950 - 1250				
X60K120XB	120,000	97,200	1500 - 2000	40-70	55,500	11 X 10	1
	78,000	63,180	950 - 1250				

NOTE: CFM and Rise are independent of ESP in a variable speed blower.

**Table 9. Nominal Airflow Rates & Temperature Rises (° F)**

2 TON UNITS				3 TON UNITS				4 - 5 TON UNITS				
BLOWER SELECTOR SETTING		RECOMMENDED A/C AIRFLOW RATE (CFM)	BLOWER SELECTOR SETTING	BLOWER SELECTOR SETTING		RECOMMENDED A/C AIRFLOW RATE (CFM)	BLOWER SELECTOR SETTING		RECOMMENDED A/C AIRFLOW RATE (CFM)			
COOL	ADJUST			COOL	ADJUST		COOL	ADJUST				
TAP "A"	-10%	2 TON	TAP "A"	-10%	3 TON	TAP "A"	-10%	4 TON	5 TON	720	875	1440
	Normal			800			970			1600		
	+10%			880			1065			1760		
TAP "B"	-10%		810	TAP "B"		-10%	1050			TAP "B"	-10%	1530
	Normal		900			1170	1700					
	+10%		990			1290	1870					
TAP "C"	-10%		900	TAP "C"		-10%	1140			TAP "C"	-10%	1620
	Normal		1000			1270	1800					
	+10%		1100			1400	1980					
TAP "D"	-10%		1080	TAP "D"		-10%	1260			TAP "D"	-10%	
	Normal		1200			1400						
	+10%		1320			1540						

**Table 10. Airflow Settings for Cooling**

BLOWER HEAT SELECTOR SETTING	2 TON				3 TON				4 & 5 TON			
	LOW INPUT		HIGH INPUT		LOW INPUT		HIGH INPUT		LOW INPUT		HIGH INPUT	
	52,000		80,000		65,000		100,000		78,000		120,000	
	CFM	RISE	CFM	RISE	CFM	RISE	CFM	RISE	CFM	RISE	CFM	RISE
TAP "A"	750	51	1100	54	950	51	1100	69	950	61	1500	61
TAP "B"	<b>850</b>	<b>44</b>	<b>1150</b>	<b>53</b>	<b>1000</b>	<b>48</b>	<b>1200</b>	<b>63</b>	<b>1050</b>	<b>55</b>	<b>1700</b>	<b>54</b>
TAP "C"	950	41	1250	47	1050	46	1300	58	1150	50	1800	51
TAP "D"												

**NOTES:**

1. Recommended temperature rises are highlighted in BOLD. Use of any other setting may result in nuisance trips.
2. Temperature rises in the table are approximate. Actual temperature rises may vary.
3. Blower "ADJUST" tap non-functional in Heating mode.
4. To comply with government mandated efficiency standards, two openings are required for airflows above 1,600 CFM.
5. Individual cells shaded in gray indicate a temperature rise outside of the recommended range.
6. To comply with government mandated efficiency standards, speed settings which do not have data are not allowed in heat and cooling mode.

**Table 11. Airflow Settings (CFM) & Rise (° F) for Heating**



## Gas Information

CAPACITY OF BLACK IRON GAS PIPE (CU. FT. PER HOUR) FOR NATURAL GAS (SPECIFIC GRAVITY - 0.60)								
NOMINAL PIPE DIAMETER (IN.)	LENGTH OF PIPE RUN (FEET)							
	10	20	30	40	50	60	70	80
1/2	130	90	75	65	55	50	45	40
3/4	280	190	150	130	115	105	95	90
1	520	350	285	245	215	195	180	170
1 1/4	1,050	730	590	500	440	400	370	350
1 1/2	1,600	1,100	890	760	670	610		

Cubic Feet Per Hour Required =  $\frac{\text{Input To Furnace (Btu/hr)}}{\text{Heating Value of Gas (Btu/Cu. Ft.)}}$

**NOTE:** The cubic feet per hour listed in the table above must be greater than the cubic feet per hour of gas flow required by the furnace. To determine the cubic feet per hour of gas flow required by the furnace, divide the input rate of the furnace by the heating value (from gas supplier) of the gas.

**Table 12. Gas Pipe Capacities**

GAS FLOW RATES (CUBIC FEET PER HOUR)			
TIME FOR ONE REVOLUTION (SECONDS)	CUBIC FEET PER REVOLUTION OF GAS METER		
	1	5	10
10	360	1,800	3,600
12	300	1,500	3,000
14	257	1,286	2,571
16	225	1,125	2,250
18	200	1,000	2,000
20	180	900	1,800
22	164	818	1,636
24	150	750	1,500
26	138	692	1,385
28	129	643	1,286
30	120	600	1,200
32	113	563	1,125
34	106	529	1,059
36	100	500	1,000
38	95	474	947
40	90	450	900
42	86	429	857
44	82	409	818
46	78	391	783
48	75	375	750
50	72	360	720
52	69	346	692
54	67	333	667
56	64	321	643
58	62	310	621
60	60	300	600
62	58	290	581
64	56	281	563

GAS FLOW RATES (CUBIC FEET PER HOUR)			
TIME FOR ONE REVOLUTION (SECONDS)	CUBIC FEET PER REVOLUTION OF GAS METER		
	1	5	10
66	55	273	545
68	53	265	529
70	51	257	514
72	50	250	500
74	49	243	486
76	47	237	474
78	46	231	462
80	45	225	450
82	44	220	439
84	43	214	429
86	42	209	419
88	41	205	409
90	40	200	400
92	39	196	391
94	38	191	383
96	38	188	375
98	37	184	367
100	36	180	360
102	35	176	353
104	35	173	346
106	34	170	340
108	33	167	333
110	33	164	327
112	32	161	321
114	32	158	316
116	31	155	310
118	31	153	305
120	30	150	300

**Table 13. Gas Flow Rates**

## FOR YOUR SAFETY READ BEFORE OPERATING

**WARNING:** If you do not follow these instructions exactly, a fire or explosion may result causing property damage, personal injury, or loss of life.

- A. This appliance does not have a pilot. It is equipped with an ignition device which automatically lights the burner. Do not try to light the burner by hand.
  - B. BEFORE OPERATING smell all around the appliance area for gas. Be sure to smell next to the floor because some gas is heavier than air and will settle on the floor.
- WHAT TO DO IF YOU SMELL GAS**
- Do not try to light any appliance.
  - Do not touch any electrical switch; do not use any phone in your building.
  - Immediately call your gas supplier from a neighbor's phone. Follow the gas supplier's instructions.
  - If you cannot reach your gas supplier, call the fire department.
- C. Use only your hand to push in or turn the gas control knob. Never use tools. If the knob will not push in or move by hand, do not try to repair it, call a qualified service technician. Force or attempted repair may result in a fire or explosion.
  - D. Do not use this appliance if any part has been under water. Immediately call a qualified service technician to inspect the appliance and to replace any part of the control system and any gas control which has been under water.

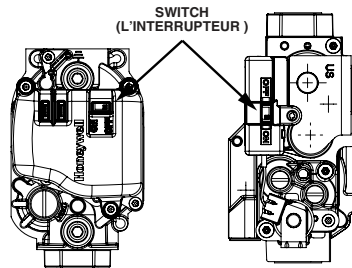
## POUR VOTRE SÉCURITÉ. À LIRE AVANT L'EMPLOI

**ATTENTION!** L'observation de ces instructions peut entraîner un incendie ou une explosion pouvant causer des dommages à votre propriété à votre personne, ou la mort.

- A. Cet appareil ménager n'a pas de veilleuse. Il est doté d'un système d'allumage automatique. Ne pas essayer d'allumer le brûleur manuellement.
  - B. AVANT L'USAGE. Attention à une possible odeur de gaz surtout au niveau du plancher où les gaz les plus lourds ont la tendance de se concentrer.
- EN CAS D'ODEUR DE GAZ.**
- Ne mettre en marche aucun appareil électrique.
  - Ne toucher à aucun commutateur électrique, ne pas employer le téléphone.
  - Quitter le bâtiment immédiatement et avertir la compagnie du gaz en utilisant le téléphone d'un voisin.
  - A défaut de la compagnie du gaz, avertir le service des pompiers.
- C. Enfoncer ou faire tourner le robinet à gaz à la main seulement. Ne jamais utiliser d'outils. S'il n'est pas possible de faire tourner ou d'enfoncer le robinet à la main, ne pas essayer de le réparer. Faire appel à un spécialiste. Forcer ou tenter de réparer le robinet pourrait être à l'origine d'une explosion ou d'un incendie.
  - D. Il est déconseillé d'utiliser cet appareil en contact prolongé avec l'eau. Faire inspecter ou remplacer toute commande par un technicien qualifié si un des systèmes de contrôle du gaz s'est trouvé sous l'eau.

## OPERATING INSTRUCTIONS

1. **STOP!** Read the safety information above on this label.
2. Set the thermostat to the lowest setting.
3. Turn off all electrical power to the appliance.
4. The appliance's ignition device automatically lights the burner. Do not try to light burner by hand.
5. Remove the control access door/panel (upper door if two-door model).
6. Move the gas control switch to the "OFF" position. (See Figure 1)
7. Wait five (5) minutes to clear out any gas. Then smell for gas, including near the floor. If you smell gas, **STOP!** Follow "B" in above information. If you don't smell gas, go to the next step.
8. Move the gas control switch to the "ON" position. (See Figure 1)
9. Replace the control access door/panel (upper door if two door model).
10. Turn on all electrical power to the appliance.
11. Turn the thermostat to a desired setting.
12. If the appliance will not operate, follow the instructions "To Turn Off Gas To Appliance" and call your service technician or gas supplier.



## MODE D'EMPLOI

1. **ATTENTION!** Lire d'abord la liste des mesures de sécurité ci-dessus.
2. Mettre le thermostat à la position minimale.
3. Couper le courant électrique qui mène à l'appareil.
4. Cet appareil ménager étant doté d'un système d'allumage automatique, ne pas essayer d'allumer le brûleur manuellement.
5. Retirer le panneau/volet d'accès de commande (panneau supérieur s'il s'agit d'un modèle à deux panneaux).
6. Réglez l'interrupteur de commande du gaz à la position "OFF". (voir Figure 1).
7. Attendre cinq (5) minutes pour s'assurer de la dissipation du gaz. En cas d'odeur, **ARRÊTER LE PROCÉDÉ.** Suivre les instructions ci-dessus (Section B). En l'absence de toute odeur de gaz, avancer à l'étape suivante.
8. Réglez l'interrupteur de commande du gaz à la position "ON". (voir Figure 1).
9. Remettre le panneau/volet d'accès de commande en place (panneau supérieur s'il s'agit d'un modèle à deux panneaux).
10. Rebrancher l'appareil sur le réseau électrique.
11. Ajuster le thermostat à la position désirée.
12. Si l'appareil ne fonctionne pas, suivre les "Directives d'arrêt" cidessous et appeler le technicien de service.

## TO TURN OFF GAS TO APPLIANCE

1. Set the thermostat to the lowest setting.
2. Turn off all electrical power to the appliance if service is to be performed.
3. Remove the control access door/panel (upper door if two-door model).
4. Move the gas control switch to the "OFF" position. Do not use force. (See Figure 1)
5. Replace the control access door/panel (upper door if two-door model).

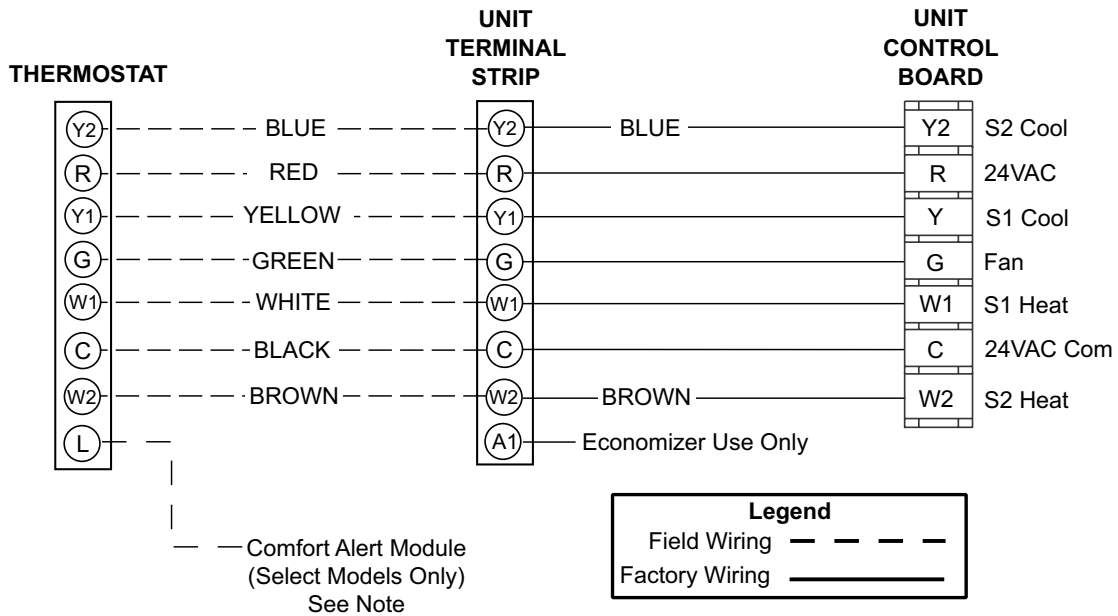
## DIRECTIVES D'ARRÊT

1. Mettre le thermostat à la position minimale.
2. Débrancher l'appareil en prévision de la réparation.
3. Retirer le panneau/volet d'accès de commande (panneau supérieur s'il s'agit d'un modèle à deux panneaux).
4. Réglez l'interrupteur de commande du gaz à la position "OFF". Ne forcez pas. (voir Figure 1).
5. Remettre le panneau/volet d'accès de commande en place (panneau supérieur s'il s'agit d'un modèle à deux panneaux).

10186330 (Replaces 7106740)  
(10/17)

Figure 10. Gas Valve Label

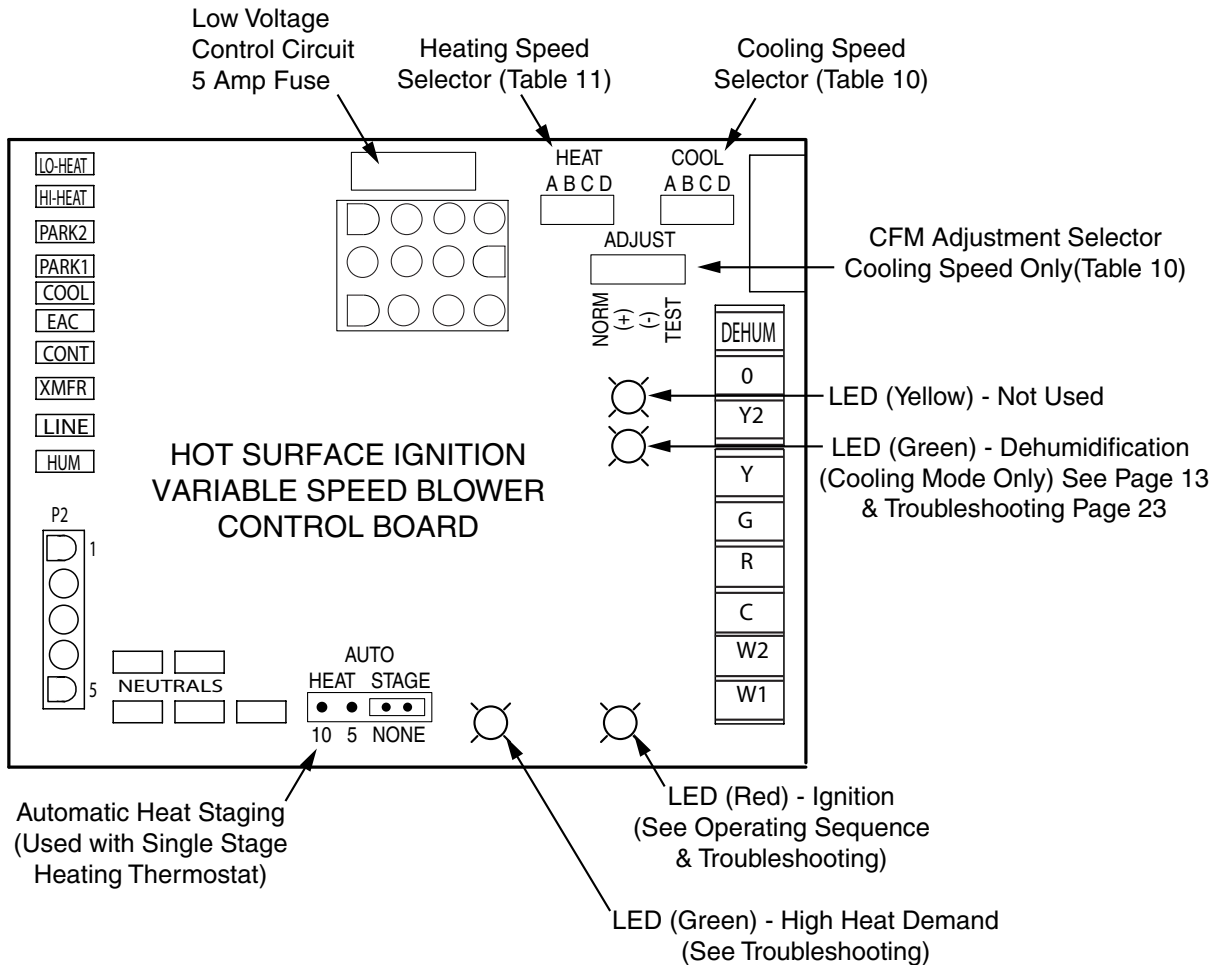
## Electrical Information



**NOTE:**

For use with White Rogers compatible thermostats only. Refer to the thermostat manual for detailed installation and programming instructions.

**Figure 11. Two Stage Heating / Two Stage Cooling Configuration**



**Figure 12. Two-Stage, Hot Surface Ignition & Blower Control Board**

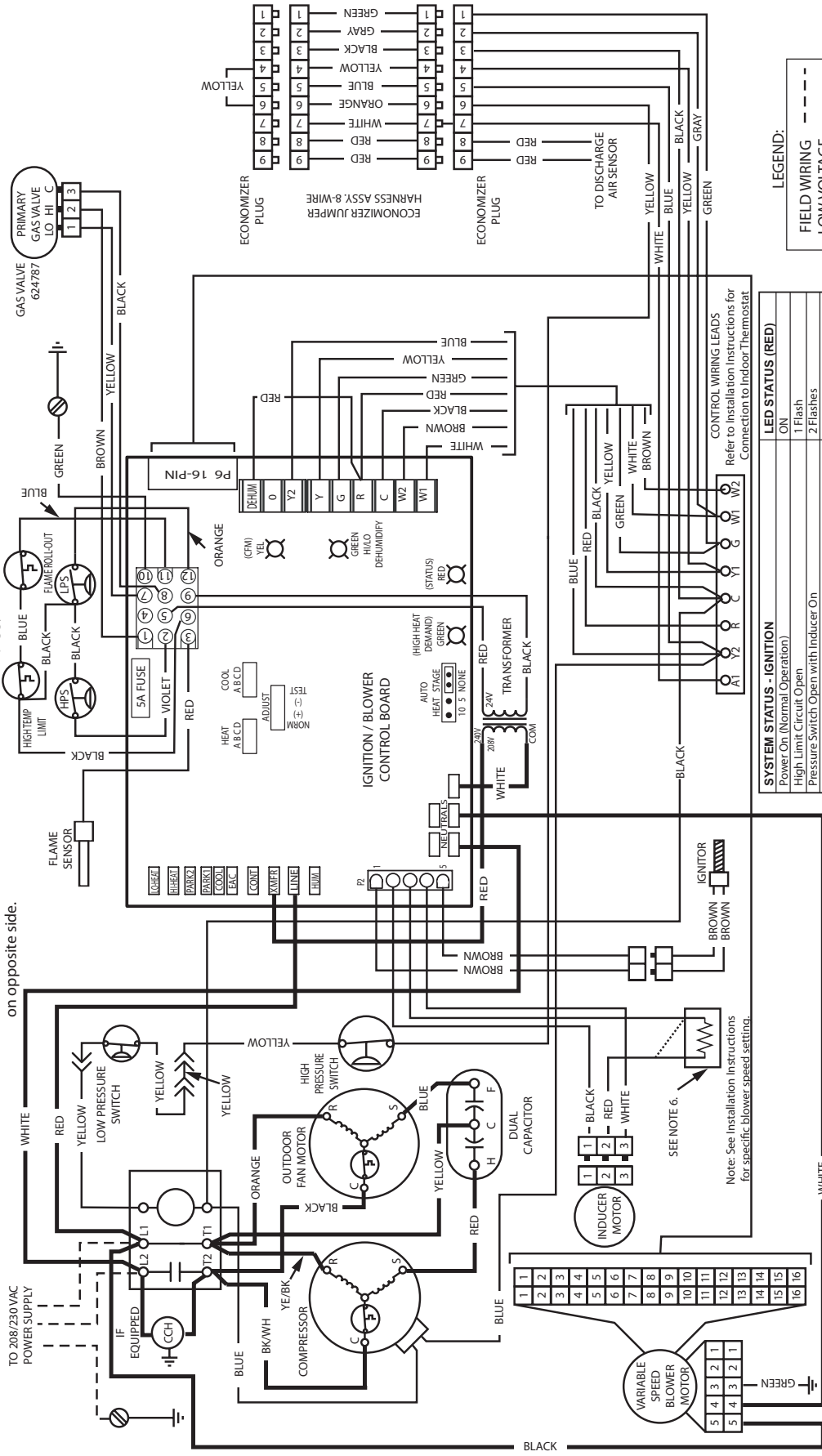
# WIRING DIAGRAM

## Packaged Two Stage Heat/Two Stage Electric Air Conditioner

208/230 Volt Single Phase 60Hz

- NOTES:
1. Disconnect power before servicing.
  2. For supply connections use copper conductors only.
  3. Not suitable on systems that exceed 150V to ground.
  4. If any of the original wire as supplied with the furnace must be replaced, it must be replaced with wiring material having a temperature rating of at least 105°C.
  5. For supply wire ampacities and overcurrent protection, see unit rating plate.
  6. For 208V operation, inducer motor low speed resistor must be bypassed.

1. Couper le courant avant de faire le rétrofit.
2. Employez uniquement des conducteurs en cuivre.
3. Ne convient pas aux installations de plus de 150V à la terre.



SYSTEM STATUS - 2nd STAGE HEAT DEMAND	LED STATUS (GREEN)
No demand for 2nd stage heat	OFF
2nd stage heat demand (Normal operation)	ON
2nd stage heat demand, high pressure switch not closed	Flashing

SYSTEM STATUS - HILO DEHUMIDIFY (Cooling Mode only)	LED STATUS (GREEN)
Factory jumper wire "R" to "DEHUM" in place or "Close on Fall" humidistat (Low Humidity) - Closed	ON
Humidistat open (High Humidity) Low Speed Blower call	OFF

SYSTEM STATUS - IGNITION	LED STATUS (RED)
Power On (Normal Operation)	ON
High Limit Circuit Open	1 Flash
Pressure Switch Open with Inducer On	2 Flashes
Pressure Switch Closed with Inducer Off	3 Flashes
Failed Ignition (5 attempts) - Control in 1 Hour Lockout	4 Flashes
208-230 Volt Polarity Issue	5 Flashes
Excess High limit trips (5) within one call for heat	6 Flashes
Excess pressure switch cycles (5) within one call for heat	7 Flashes
Excess flame dropouts (5) within one call for heat	8 Flashes
Not Used	9 Flashes
Flame present with gas valve Off	10 Flashes

SYSTEM STATUS - CFM	LED STATUS (YELLOW)
NOT USED	OFF

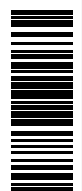


Figure 13. Two Stage Cool, Two Stage Heat

# WIRING DIAGRAM

## Packaged Two Stage Heat/Two Stage Electric Air Conditioner

## 208/230 Volt Single Phase

60Hz

### NOTES:

1. Disconnect power before servicing.
2. For supply connections use copper conductors only.
3. Not suitable on systems that exceed 150V to ground.

4. If any of the original wire as supplied with the furnace must be replaced, it must be replaced with wiring material having a temperature rating of at least 105°C.
5. For supply wire ampacities and overcurrent protection, see unit rating plate.
6. For 208V operation, inducer motor low speed resistor must be bypassed. Removed RED wire from resistor block and connect to piggyback terminal on opposite side.

1. Couper le courant avant de faire le rétrofit.
2. Employez uniquement des conducteurs en cuivre.
3. Ne convient pas aux installations de plus de 150V à la terre.

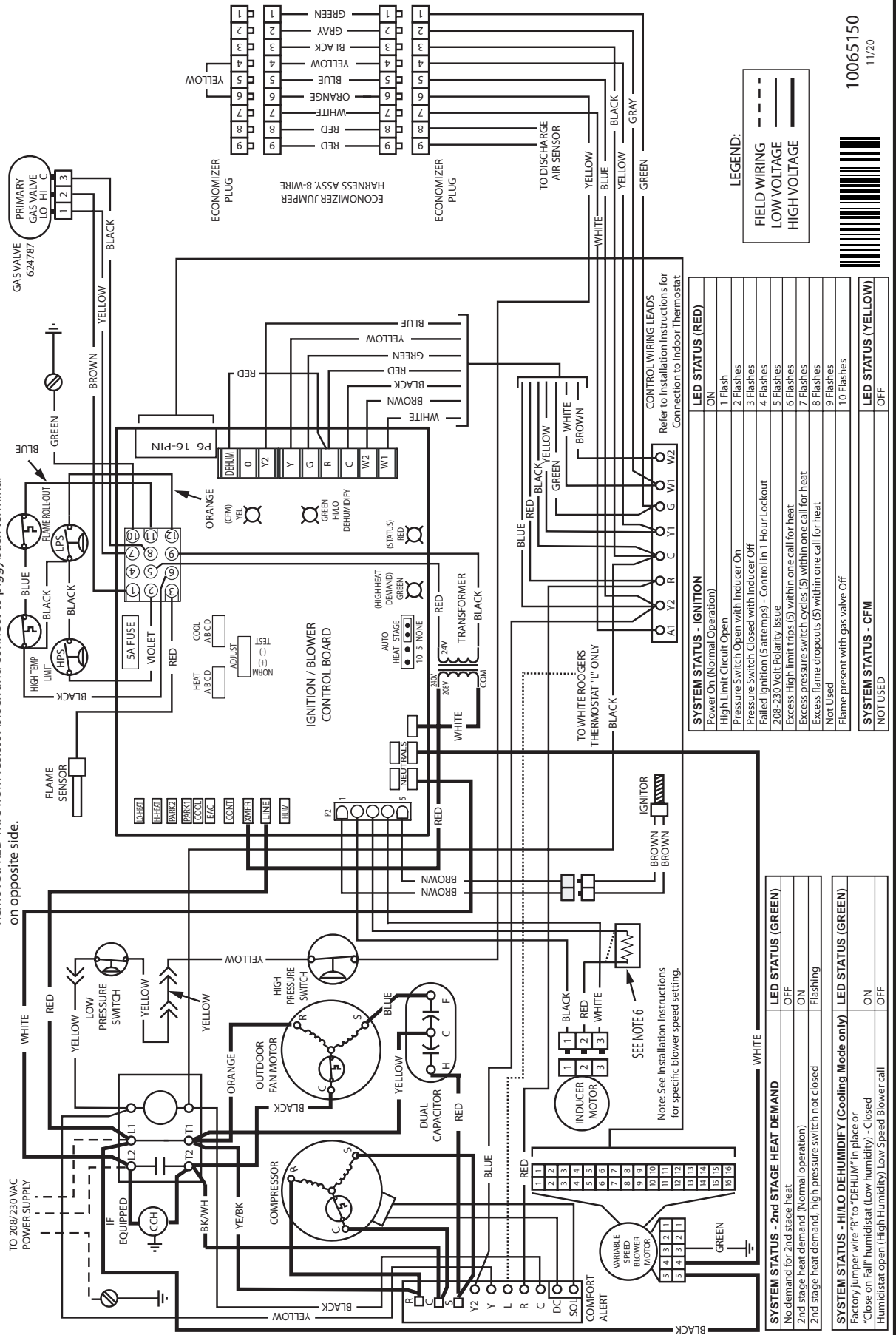


Figure 14. Two Stage Cool, Two Stage Heat with Optional Comfort Alert

10065150  
11/20

## Comfort Alert Troubleshooting Tables

Status LED	Status LED Description	Status LED Troubleshooting Information
POWER (Green LED)	Module has power	Supply voltage is present at module terminals
TRIP (Red LED)	Thermostat demand signal Y is present, but compressor is not running	<ul style="list-style-type: none"> <li>• Compressor protector is open</li> <li>• Check for high head pressure</li> <li>• Check compressor supply voltage</li> <li>• Outdoor unit power disconnect is open</li> <li>• Compressor circuit breaker or fuse(s) is open</li> <li>• Broken wire or connector is not making contact</li> <li>• Low pressure switch open if present in system</li> <li>• Compressor contactor has failed open</li> </ul>
ALERT Flash Code 1 (Yellow LED)	Long Run Time Compressor is running extremely long run cycles	<ul style="list-style-type: none"> <li>• Low refrigerant charge</li> <li>• Evaporator blower is not running                             <ul style="list-style-type: none"> <li>– Check blower relay coil and contacts</li> <li>– Check blower motor capacitor</li> <li>– Check blower motor for failure or blockage</li> <li>– Check evaporator blower wiring and connectors</li> <li>– Check indoor blower control board</li> <li>– Check thermostat wiring for open circuit</li> </ul> </li> <li>• Evaporator coil is frozen                             <ul style="list-style-type: none"> <li>– Check for low suction pressure</li> <li>– Check for excessively low thermostat setting</li> <li>– Check evaporator airflow (coil blockages or return air filter)</li> <li>– Check ductwork or registers for blockage</li> </ul> </li> <li>• Faulty metering device                             <ul style="list-style-type: none"> <li>– Check TXV bulb installation (size, location and contact)</li> <li>– Check if TXV/fix orifice is stuck closed or defective</li> </ul> </li> <li>• Condenser coil is dirty</li> <li>• Liquid line restriction (filter drier blocked if present in system)</li> <li>• Thermostat is malfunctioning                             <ul style="list-style-type: none"> <li>– Solenoid plug not connected</li> <li>– Y2 not wired at Comfort Alert</li> <li>– Check thermostat sub-base or wiring for short circuit</li> <li>– Check thermostat installation (location, level)</li> </ul> </li> <li>• Comfort Alert failure</li> </ul>
ALERT Flash Code 2 (Yellow LED)	System Pressure Trip	<ul style="list-style-type: none"> <li>• High head pressure                             <ul style="list-style-type: none"> <li>– Check high pressure switch if present in system</li> <li>– Check if system is overcharged with refrigerant</li> <li>– Check for non-condensable in system</li> </ul> </li> </ul>
	Discharge or suction	<ul style="list-style-type: none"> <li>• Condenser coil poor air circulation (dirty, blocked, damaged)</li> </ul>
	Pressure out of limits	<ul style="list-style-type: none"> <li>• Condenser fan is not running                             <ul style="list-style-type: none"> <li>– Check fan capacitor</li> <li>– Check fan wiring and connectors</li> <li>– Check fan motor for failure or blockage</li> </ul> </li> </ul>
	Compressor overloaded	<ul style="list-style-type: none"> <li>• Return air duct has substantial leakage</li> <li>• If low pressure switch present in system, check Flash Code 1 information</li> </ul>
ALERT Flash Code 3 (Yellow LED)	Short Cycling / Compressor is running only briefly	<ul style="list-style-type: none"> <li>• Thermostat demand signal is intermittent</li> <li>• Low line voltage (contact utility if voltage at disconnect is low)</li> <li>• Excessive liquid refrigerant in compressor</li> <li>• Compressor bearings are seized</li> </ul>
ALERT Flash Code 4 (Yellow LED)	Locked Rotor	<ul style="list-style-type: none"> <li>• Run capacitor has failed</li> <li>• Low line voltage (contact utility if voltage at disconnect is low)</li> <li>• Check wiring connections</li> <li>• Excessive liquid refrigerant in compressor</li> <li>• Compressor bearings are seized</li> <li>• Measure compressor oil level</li> </ul>

**Table 14. LED Diagnostics**

STATUS LED	STATUS LED DESCRIPTION	STATUS LED TROUBLESHOOTING INFORMATION
ALERT Flash Code 5 (Yellow LED)	Open Circuit	<ul style="list-style-type: none"> <li>Outdoor unit power disconnect is open</li> <li>Compressor circuit breaker or fuse(s) is open</li> <li>Compressor contactor has failed open <ul style="list-style-type: none"> <li>Check compressor contactor wiring and connectors</li> <li>Check for compressor contactor failure (burned, pitted or open)</li> <li>Check wiring and connectors between supply and compressor</li> <li>Check for low pilot voltage at compressor contactor coil</li> <li>High pressure switch is open and requires manual reset</li> </ul> </li> <li>Open circuit in compressor supply wiring or connections</li> <li>Unusually long compressor protector reset time due to extreme ambient temperature</li> <li>Compressor windings are damaged <ul style="list-style-type: none"> <li>Check compressor motor winding resistance</li> </ul> </li> </ul>
ALERT Flash Code 6 (Yellow LED)	Open Start Circuit Current only in run circuit	<ul style="list-style-type: none"> <li>Run capacitor has failed</li> <li>Open circuit in compressor start wiring or connections <ul style="list-style-type: none"> <li>Check wiring and connectors between supply and the compressor S terminal</li> </ul> </li> <li>Compressor start winding is damaged <ul style="list-style-type: none"> <li>Check compressor motor winding resistance</li> </ul> </li> </ul>
ALERT Flash Code 7 (Yellow LED)	Open run circuit Current only in start circuit	<ul style="list-style-type: none"> <li>Open circuit in compressor run wiring or connections <ul style="list-style-type: none"> <li>Check wiring and connectors between supply and the compressor R terminal</li> </ul> </li> <li>Compressor run winding is damaged <ul style="list-style-type: none"> <li>Check compressor motor winding resistance</li> </ul> </li> </ul>
ALERT Flash Code 8 (Yellow LED)	Welded Contactor Compressor always runs	<ul style="list-style-type: none"> <li>Compressor contactor has failed closed</li> <li>Thermostat demand signal not connected to module</li> </ul>
ALERT Flash Code 9 (Yellow LED)	Low Voltage Control circuit < 17VAC	<ul style="list-style-type: none"> <li>Control circuit transformer is overloaded</li> <li>Low line voltage (contact utility if voltage at disconnect is low)</li> <li>Check wiring connections</li> </ul>

\* Flash code number corresponds to a number of LED flashes, followed by a pause and then repeated. Trip and alert LED's flashing at same time means control circuit voltage is too low for operation.

**Table 14. LED Diagnostics - Continued**

MISWIRED MODULE INDICATION	RECOMMENDED TROUBLESHOOTING ACTION
Green LED is not on, module does not power up	<ul style="list-style-type: none"> <li>Determine if both <b>R</b> &amp; <b>C</b> module terminals are connected.</li> <li>Verify voltage is present at module's <b>R</b> &amp; <b>C</b> terminals.</li> </ul>
Green LED intermittent, module powers up only when compressor runs	<ul style="list-style-type: none"> <li>Determine if <b>R</b> &amp; <b>Y</b> terminals are wired in reverse.</li> <li>Verify modules <b>R</b> &amp; <b>C</b> terminals have a constant source.</li> </ul>
Trip LED is on, but system and compressor check OK	<ul style="list-style-type: none"> <li>Verify <b>Y</b> terminal is connected to 24VAC at contactor coil.</li> <li>Verify voltage at contactor coil falls below 0.5VAC when off.</li> <li>Verify 24VAC is present across <b>Y</b> &amp; <b>C</b> when thermostat demand signal is present. If not, <b>R</b> &amp; <b>C</b> are reversed wired.</li> </ul>
TRIP LED & ALERT LED flashing together	<ul style="list-style-type: none"> <li>Verify <b>R</b> &amp; <b>C</b> terminals are supplied with 19 - 28VAC.</li> </ul>
ALERT Flash CODE 3 displayed incorrectly (Compressor short cycling)	<ul style="list-style-type: none"> <li>Verify <b>Y</b> terminal is connected to 24VAC at contactor coil.</li> <li>Verify voltage at contactor coil falls below 0.5VAC when off.</li> </ul>
ALERT Flash Code 5, 6, or 7 displayed incorrectly (Open Circuit, Open Start Circuit or Open Run Circuit)	<ul style="list-style-type: none"> <li>Verify the compressor run and start wires are routed through the module's current sensing holes.</li> <li>Verify the <b>Y</b> terminal is connected to 24VAC at contactor coil.</li> <li>Verify voltage at contactor coil falls below 0.5VAC when off.</li> </ul>
ALERT Flash Code 6 (Open Start Circuit) displayed for Code 7 (Open Run Circuit) or vice-versa	<ul style="list-style-type: none"> <li>Verify the compressor run and start wires are routed through the correct module sensing holes.</li> </ul>
ALERT Flash Code 8 displayed incorrectly (Welded Contactor)	<ul style="list-style-type: none"> <li>Determine if module's <b>Y</b> terminal is connected.</li> <li>Verify <b>Y</b> terminal is connected to 24VAC at contactor coil.</li> <li>Verify 24VAC is present across <b>Y</b> &amp; <b>C</b> when thermostat demand signal is present. If not, <b>R</b> &amp; <b>C</b> are reversed wired.</li> <li>Verify voltage at contactor coil falls below 0.5VAC when off.</li> <li>Review Thermostat Demand Wiring (page 10) for wiring of <b>Y</b> &amp; <b>C</b>.</li> </ul>

**Table 15. Module Wiring Troubleshooting**

## REFRIGERANT CHARGING

### **WARNING:**

**These units are shipped fully charged with R-410A refrigerant and ready for installation. When a system is installed according to these instructions, no refrigerant charging is required. If repairs make it necessary for evacuation and charging, it should only be done by qualified, trained personnel thoroughly familiar with this equipment. Some local codes require licensed installation/service personnel to service this type of equipment. Under no circumstances should the owner attempt to install and/or service this equipment. Failure to comply with this warning could result in property damage, personal injury, or death.**

### **CAUTION:**

**This unit uses R-410A refrigerant. DO NOT use any other refrigerant in this unit. Use of another refrigerant will damage the unit.**

The system refrigerant charge can be checked and adjusted through the service ports provided at the front panel. Use only gauge lines which have a Schrader depression device present to actuate the valve. Refrigerant charging must be done by qualified personnel familiar with safe and environmentally responsible refrigerant handling procedures. Refer to the application notes and charging charts on pages 33-35

#### Charging an R-410A unit in AC mode at outdoor temperatures above 65F.

1. With the system operating at steady-state, measure the liquid refrigerant pressure in psig at the service valve.
2. Measure the liquid refrigerant temperature in Fahrenheit at the outlet of the condensor coil.
3. For the temperature measured, determine the required liquid refrigerant pressure from the appropriate charging charts in [Figure 15](#), [Figure 16 \(page 33\)](#), [Figure 17](#), & [Figure 18 \(page 34\)](#).
4. If the pressure measured in step 1 is greater than the required liquid refrigerant pressure determined in step 3, then there is too much charge in the system. Remove refrigerant and repeat steps 1 through 3 until the system is correctly charged.
5. If the pressure measured in step 1 is less than the required liquid refrigerant pressure determined in step 3, then there is too little charge in the system. Add refrigerant and repeat steps 1 through 3 until the system is correctly charged.

## Charging Charts & Application Notes

This equipments cooling system contains refrigerant under high pressure, always use safe practices when servicing the unit. Always review the factory literature and safety warnings prior to servicing.

These units are shipped from the factory with the proper amount and type of refrigerant. Always inspect the unit rating label to determine the units information prior to working on the system. Do not mix different refrigerants or charge the unit with a refrigerant not listed on the unit rating label.

The charging charts Figures 13 - 16 pages 34 - 35 are valid for a variety of indoor, return air conditions and are most highly influenced by the outdoor ambient temperature, outdoor fan operation and the unit operating voltage. Before referencing the charts below, always make sure that the compressor circuit is energized on high speed and has stable operation. See [Figure 15](#), [Figure 16 \(page 33\)](#), [Figure 17](#), & [Figure 18 \(page 34\)](#).

As can be seen in the charging charts, the ideal system sub-cooling can vary over the range of operation. Always reference the charts to determine the ideal amount of sub-cooling for a given liquid pressure. Units charged to other values will not perform at the rated unit efficiency (EER).

To inspect a systems operation, using quality instruments, match the measured liquid temperature to the units chart. The measured liquid pressure reading should be within 3% of the value shown for most installations. For two stage systems, the charts are valid for compressor operating on high speed.

**DO NOT** use the charts for a two stage system operating under a single stage call for cooling.

For systems that are operating with more then a 5% deviation, inspect the unit for leaks. Always use safe and environmentally sound methods for refrigerant handling. When repairing system leakages, always utilize a nitrogen (inert) gas to protect the refrigerant system and pressure check the repair before re-charging. Always replace the filter-dryers when performing any repair to the refrigeration system. After completing the repairs, evacuate the system to 350-500 microns and weigh in the refrigerant to the amount specified on the unit rating label.



R6GF-X24 Charging Chart - Cooling

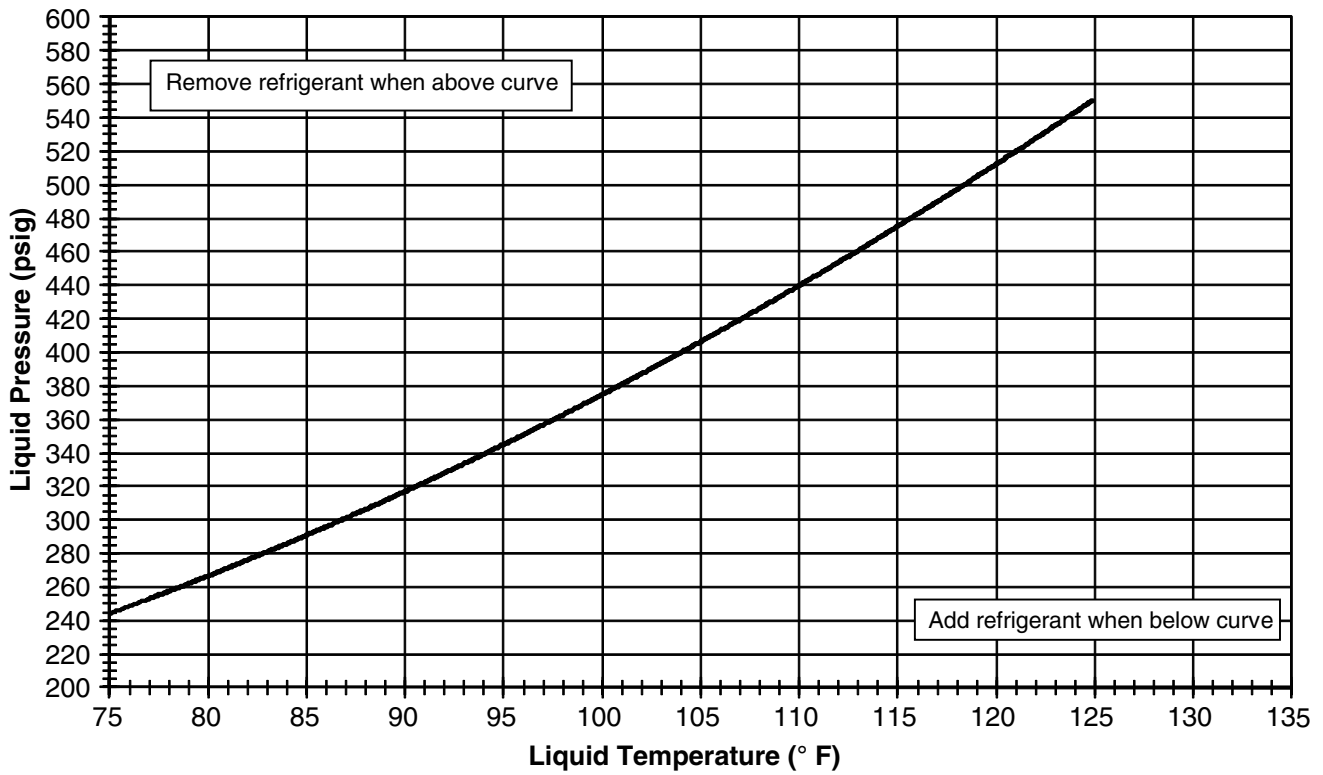


Figure 15. Charging Chart for 2 Ton Units

R6GF-X36 Charging Chart - Cooling

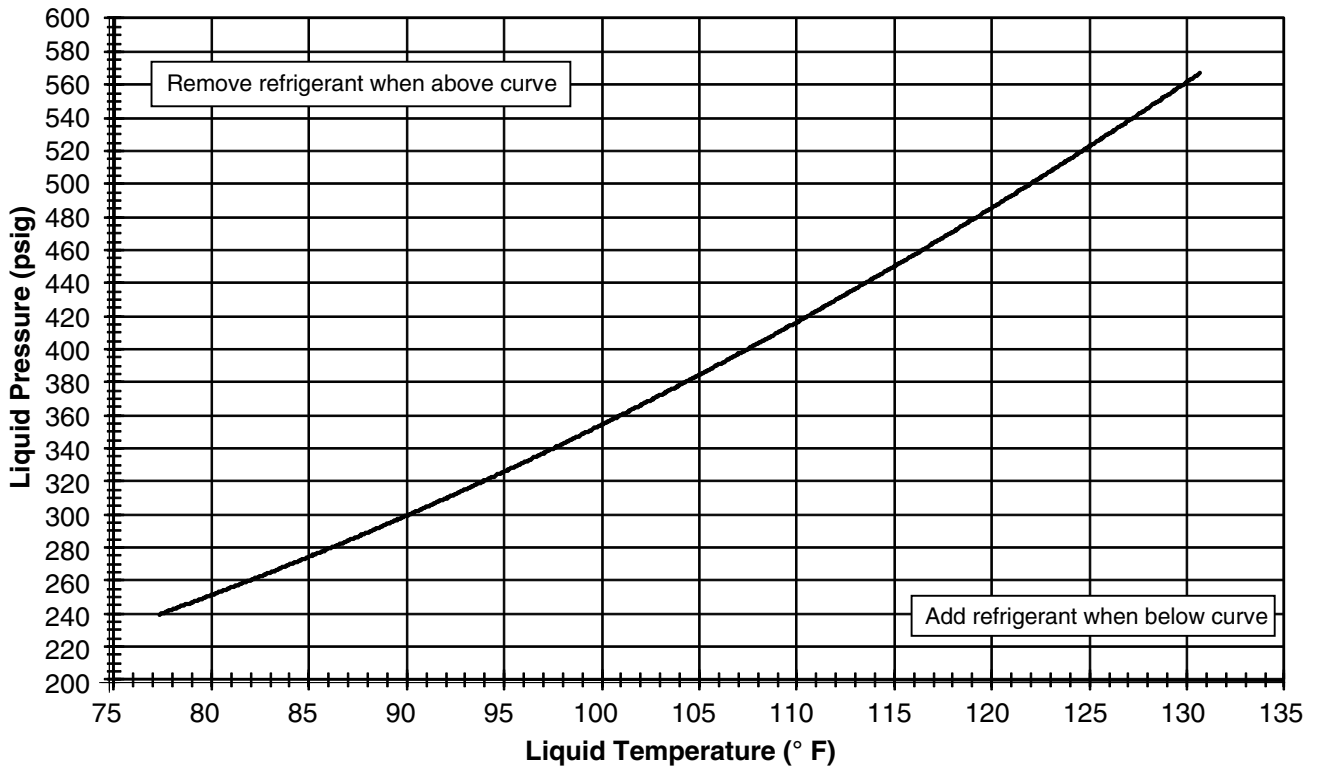


Figure 16. Charging Chart for 3 Ton Units

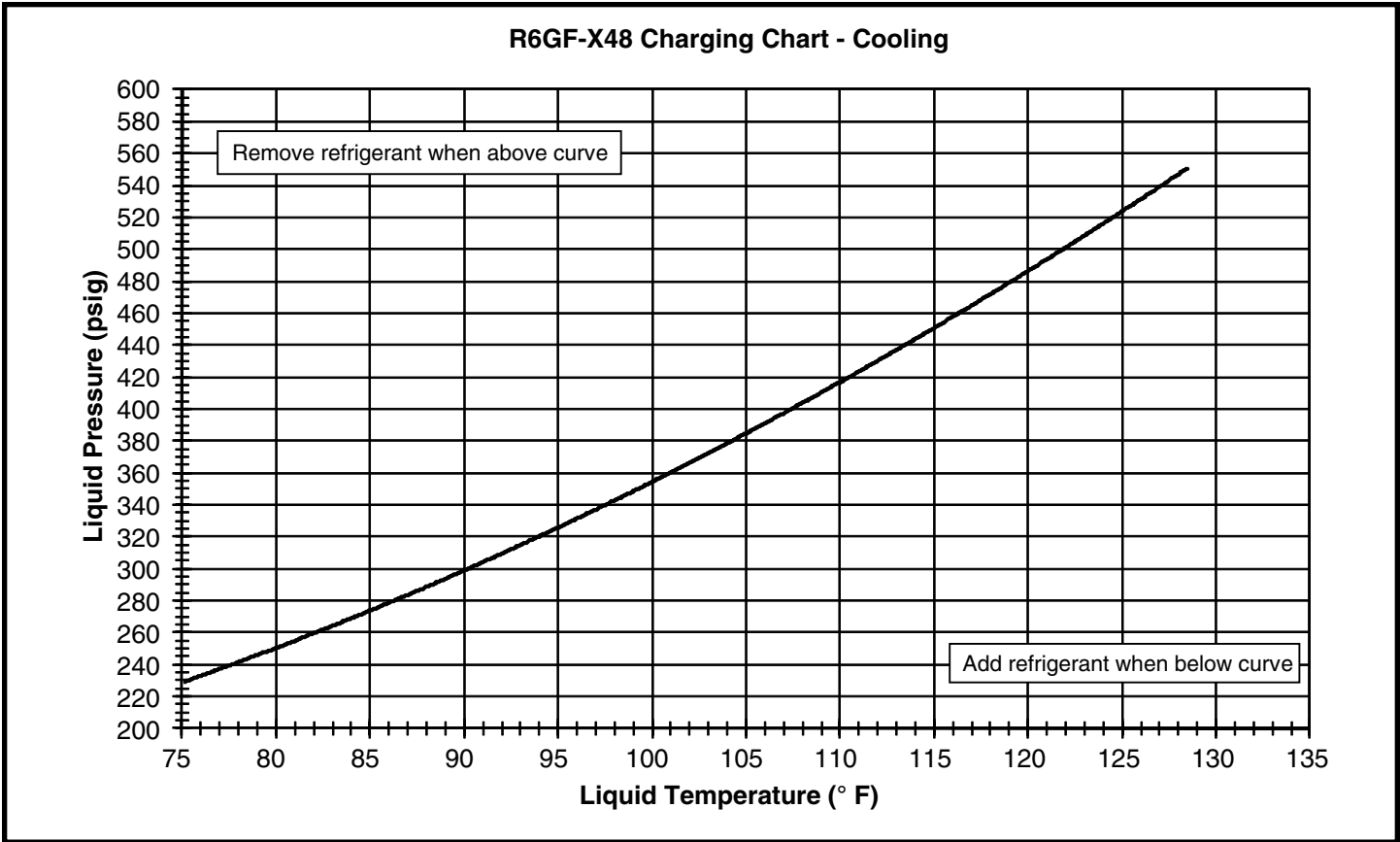


Figure 17. Charging Chart for 4 Ton Units

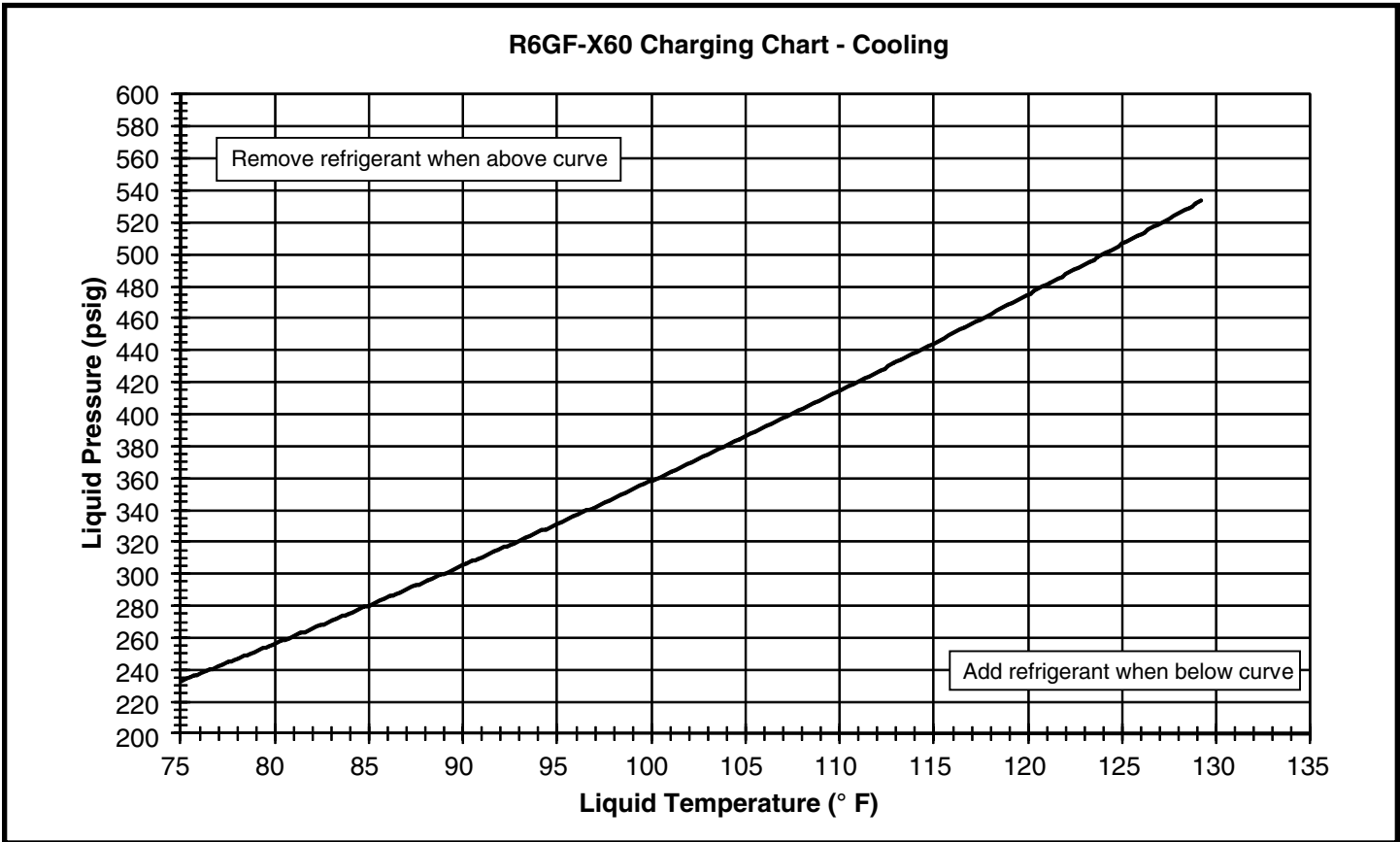


Figure 18. Charging Chart for 5 Ton Units



# INSTALLATION CHECKLIST

<b>INSTALLATION ADDRESS:</b>		
CITY:	STATE:	
UNIT MODEL #		
UNIT SERIAL #		
Unit Installed Minimum clearances per Figure 1 (page 5)?	YES	NO

<b>INSTALLER NAME:</b>		
CITY _____	STATE _____	
Has the owner's information been reviewed with the customer?	YES	NO
Has the Literature Package been left with the unit?	YES	NO

ELECTRICAL SYSTEM		
Electrical connections tight?	YES	NO
Line voltage polarity correct?	YES	NO
Rated Voltage: ..... VOLTS		
L1-L2 Volts: ..... VOLTS		
Has the thermostat been calibrated?	YES	NO
Is the thermostat level?	YES	NO
Is the heat anticipator setting correct? (If Applicable)	YES	NO

VENTING SYSTEM		
Is the vent hood installed?	YES	NO
Is vent hood free from restrictions	YES	NO
Filter(s) secured in place?	YES	NO
Filter(s) clean?	YES	NO

GAS SYSTEM		
Gas Type: (circle one)	Natural Gas	Propane
Gas pipe connections leak-tested?	YES	NO
Gas Line Pressure: ..... (in - W.C.)		
Is there adequate fresh air supply for combustion and ventilation?	YES	NO
Installation Altitude: ..... (FT.)		
Deration Percentage: ..... (%)		
Unit Input: ..... (Btuh)		
Supply Air Temperature: ..... (° F)		
Return Air Temperature: ..... (° F)		
Temperature Rise: ..... (° F)		
DURING UNIT OPERATION:		
Manifold pressure: ..... (in - W.C.)		

REFRIGERATION SYSTEM		
Was unit given 24 hr warm up period for crankcase heaters (if equipped)?	YES	NO
Stage-1 Liquid Pressure (high side)		
Stage-1 Suction Pressure (low side)		

### ATTENTION INSTALLER:

It is your responsibility to know this product better than your customer. This includes being able to install the product according to strict safety guidelines and instructing the customer on how to operate and maintain the equipment for the life of the product. Safety should always be the deciding factor when installing this product and using common sense plays an important role as well. Pay attention to all safety warnings and any other special notes highlighted in the manual. Improper installation of the unit or failure to follow safety warnings could result in serious injury, death, or property damage. These instructions are primarily intended to assist qualified individuals experienced in the proper installation of this appliance. Some local codes require licensed installation/service personnel for this type of equipment.



**IMPORTANT** - This product has been designed and manufactured to meet ENERGY STAR criteria for energy efficiency. However, proper refrigerant charge and proper air flow are critical to achieve rated capacity and efficiency. Installation of this product should follow the manufacturer's refrigerant charging and air flow instructions. Failure to confirm proper charge and airflow may reduce energy efficiency and shorten equipment life.

