

# WIRING DIAGRAM

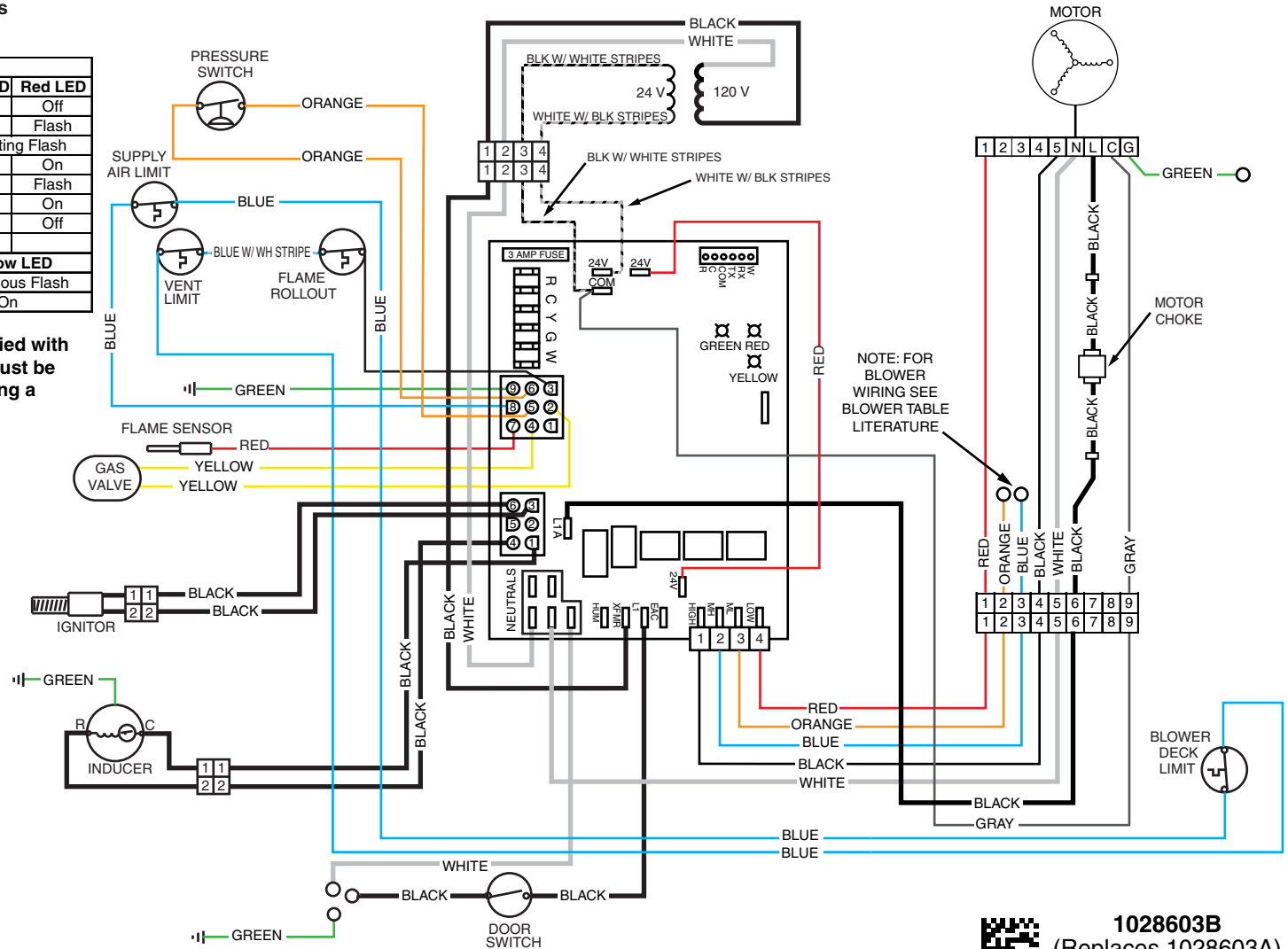
## For 80+ and 90+ Single Stage Furnaces

Refer to the Installation Instructions provided with the furnace for the proper heating and cooling speeds for your application.

FAULT CONDITIONS		
Diagnostic Description	Green LED	Red LED
Control Fault (No Power)	Off	Off
L1 / Neutral Polarity Fault	Flash	Flash
1 Hour Lockout	Alternating Flash	
Normal Operation	On	On
Pressure Switch Closed Fault	On	Flash
Pressure Switch Open Fault	Flash	On
Open Limit Switch Fault	Flash	Off
Diagnostic Description	Yellow LED	
Low Flame Sensor Signal	Continuous Flash	
Flame Present	On	

If any of the original wire as supplied with the furnace must be replaced, it must be replaced with wiring material having a temperature of at least 105° C.

Use copper conductors only.



LEGEND:

FIELD WIRING	---
LOW VOLTAGE	---
HIGH VOLTAGE	---



**1028603B**  
(Replaces 1028603A)