

QUICK REFERENCE DATA

*SA1BF4M2 SERIES RESIDENTIAL SPLIT SYSTEM AIR CONDITIONER

16 SEER

MODEL NUMBER: *SA1BF4M2SN		24K	36K	48K	60K	
ELECTRICAL DATA	Volts-Cycles-Phase (1)	208/230-60-1				
	Total Amps	12.3	16.5	23.7	31.4	
	Delay Fuse Max. (2)	25	35	50	60	
	Min. Circuit Ampacity	15.3	20.3	29.0	38.6	
CONDENSER DATA	Coil	Area	13.3	20.3	22.8	25.4
		Rows-FPI	1-23	1-18	1-18	1-23
		Tube Dia	MC			
	Fan Motor	Type	PSC		BLDC	
		Amps	0.7	1.3	2.6	2.6
		HP	0.10	0.25	0.33	0.33
	Compressor Data	RLA	11.6	15.2	21.1	28.8
LRA		58.3	83.0	104.0	152.9	
REFRIGERANT SUCTION LINE O.D		0-24 ft.	3/4"	3/4"	7/8"	7/8"
NOTE: Liquid line is 3/8" O.D. for entire length.		25-39 ft.	7/8" (3)	7/8" (3)	1-1/8" (4)	1-1/8" (4)
		40-75 ft.	7/8" (3)	7/8" (3)	1-1/8" (4)	1-1/8" (4)
REFRIGERANT CHARGE:						
R-410A in ounces for outdoor unit, indoor unit and 15' line set. (5)		61.0	75.0	80.0	94.0	
Approximate Weight (lbs.)	Net	134	170	200	219	
	Ship	151	193	224	244	

- (1) Operating Voltage Range: 187v min. - 253v max.
- (2) HACR Type Circuit Breakers may be used.
- (3) Requires 7/8" to 3/4" reducer from line to unit.
- (4) Requires 1-1/8" to 7/8" reducer from line to unit.
- (5) Additional charge for line sets above 15 feet. Values based on suction line as follows with 3/8" liquid line.
 - (a) 3/4" = 0.6 oz. per additional foot.
 - (b) 7/8" = 0.7 oz. per additional foot.
 - (c) 1 1/8" = 0.8 oz. per additional foot.

NOTE: Cells with dashed lines indicate preliminary data.

WIRE GAUGE	RECOMMENDED MAXIMUM WIRE LENGTH (FT) FROM UNIT TO THERMOSTAT
22	45
20	70
18	115
16	180

Table 1. Electrical Specifications & Physical Data

Table 2. Thermostat Wire Gauge

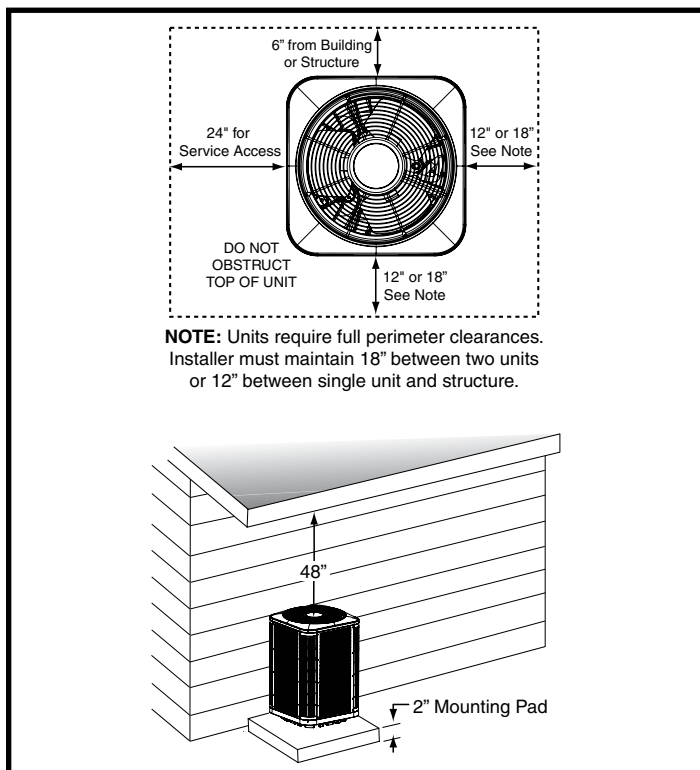


Figure 1. Clearance Requirements

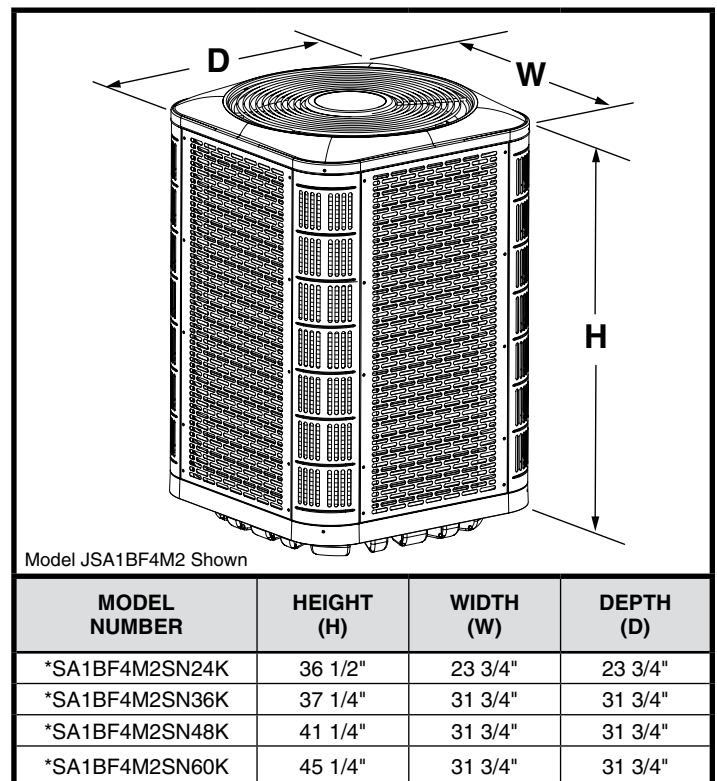


Table 3. Unit Dimensions

Instructions:

1. Find the column for the model of outdoor unit that is being installed.
2. Find the row for the model of the indoor unit that is being installed.
3. Find the cell in the table in which this row and column meet. In this cell the appropriate orifice / TXV and charge addition for this match are listed. If the text in this cell is BOLD, then a change of orifice is necessary.
4. If a change in restrictor is necessary, then the appropriate restrictor will already be supplied with the outdoor unit.

Examples:

- For the SA1BF4M2SN24K / B6VMMX24K-B match, the appropriate TXV is the 669564 and no additional charge needs to be added. (NO CHANGES ARE NECESSARY)
- For the SA1BF4M2SN48K / C7B(A,H)MX48(C,U)-C match, the appropriate TXV is the 669852 and no additional charge needs to be added. (NO CHANGES ARE NECESSARY)

MODEL NUMBER: SA1BF4M2SN		24K	36K	48K	60K
OUTDOOR UNIT BOM CHARGE (OZ.)		61	75	80	94
MODELS	SUPPLIED WITH ID	REQUIRED RESTRICTOR OR TXV (CHARGE ADDITION (OZ) / RATED AIRFLOW (SCFM))			
B6VM					
B6VMAX36K-B	669566	--	669566 (5 / 1140)	--	--
B6VMAX48K-C	669568	--	--	669568 (21 / 1400)	--
B6VMAX60K-C	669578	--	--	--	669578 (23 / 1600)
C6					
C6B(A,H)-X36(C,U)-B	669683	--	669683 (5 / 1145)	--	--
C6B(A,H)-X36(C,U)-C	669683	--	669683 (5 / 1145)	--	--
C6B(A,H)-X37(C,U)-C	669683	--	669683 (11 / 1145)	--	--
C6B(A,H)-X48(C,U)-C	669852	--	--	669852 (21 / 1415)	--
C6B(A,H)-X48(C,U)-D	669852	--	--	669852 (21 / 1415)	--
C6B(A,H)-X60(C,U)-C	669686	--	--	--	669686 (23 / 1575)
C6B(A,H)-X60(C,U)-D	669686	--	--	--	669686 (23 / 1575)
B6VMMX					
B6VMMX24K-B	669564	669564 (0 / 880)	--	--	--
B6VMMX36K-B	669566	--	669566 (0 / 1170)	--	--
B6VMMX48K-C	669568	--	--	669568 (0 / 1400)	--
B6VMMX60K-C	669578	--	--	--	669578 (0 / 1695)
C7-X					
C7B(A,H)MX24(C,U)-B	669681	669681 (0 / 875)	--	--	--
C7B(A,H)MX36(C,U)-B	669683	--	669683 (0 / 1170)	--	--
C7B(A,H)MX36(C,U)-C	669683	--	669683 (0 / 1170)	--	--
C7B(A,H)MX48(C,U)-C	669852	--	--	669852 (0 / 1415)	--
C7B(A,H)MX48(C,U)-D	669852	--	--	669852 (0 / 1415)	--
C7B(A,H)MX60(C,U)-C	669686	--	--	--	669686 (0 / 1695)
C7B(A,H)MX60(C,U)-D	669686	--	--	--	669686 (0 / 1585)

NOTES:

- The charges listed are only valid for the standard 15' lineset.
- Part numbers beginning with 669***are TXV part numbers and numbers listed as 0.*** are restrictor diameters.

THE CHARGE ADDITIONS PROVIDED IN THIS DOCUMENT ARE ESTIMATES BASED ON TEST DATA AND SHOULD ONLY BE A STARTING POINT. AFTER FOLLOWING THESE DIRECTIONS PLEASE ADJUST THE REFRIGERANT AMOUNT BASED ON THE APPROPRIATE CHARGING TABLES OR CHARTS IN THE INSTALLATION INSTRUCTIONS OR CHARGING LABEL.

Table 4. REQUIRED RESTRICTOR OR TXV (CHARGE ADDITION (OZ) / RATED AIRFLOW -SCFM)

