

QUICK REFERENCE DATA

*SA1BD4M1 Series Residential Split System Air Conditioner

13 SEER

MODEL NUMBER: *SA1BD4M1SN		18K	24K	30K	36K	42K	48K	60K	
ELECTRICAL DATA	Volts-Cycles Phase (1)	208 / 230 - 60 - 1							
	Total Amps	9.3	13.5	14.8	18.0	19.4	23.2	27.8	
	Delay Fuse Max. (2)	20	25	30	35	40	50	60	
	Min. Circuit Ampacity	11.6	16.7	18.3	22.2	23.9	28.7	34.4	
COMPONENT DATA	Coil	Area	8.3	8.3	10.0	10.0	15.3	15.3	17.9
		Rows-FPI	1-18						
		Tube Dia.	Micro-Channel						
	Fan Motor	Type	PSC						
		Amps	0.35	0.7	0.7	1.4	1.5	1.5	1.5
		HP	0.05	0.1	0.1	0.25	0.25	0.25	0.25
	Compressor Data	RLA	9.0	12.8	14.1	16.6	17.9	21.8	26.4
		LRA	48.0	58.3	73.0	79.0	112.0	117.0	134.0
RECOMMENDED REFRIGERANT SUCTION LINE O.D NOTE: Liquid line is 3/8" O.D. for entire length.	0 - 24 ft.	3/4"	3/4"	3/4"	3/4"	7/8"	7/8"	7/8"	
	25 - 39 ft.	3/4"	3/4"	3/4"	7/8" (3)	7/8"	7/8"	1-1/8" (4)	
	40 - 75 ft.	3/4"	3/4"	3/4"	7/8" (3)	7/8"	7/8"	1-1/8" (4)	
REFRIGERANT CHARGE R-410A in ounces for outdoor unit & 15' Lineset. (5)		40.4	41.0	40.0	41.0	59.0	60.0	69.6	
APPROXIMATE WEIGHT (LBS.)	Net	DATA UNAVAILABLE AT TIME OF PRINT							
	Ship	DATA UNAVAILABLE AT TIME OF PRINT							

- (1) Operating Voltage Range: 187v min. — 253v max.
- (2) HACR Type Circuit Breakers may be used.
- (3) Requires 7/8" to 3/4" reducer from line to unit.
- (4) Requires 7/8" to 1-1/8" reducer from line to unit.
- (5) Additional charge for line sets above 15 feet. Values based on suction line as follows with 3/8" liquid line.
 - (a) 3/4" = 0.6 oz. per additional foot.
 - (b) 7/8" = 0.7 oz. per additional foot.
 - (c) 1 1/8" = 0.8 oz. per additional foot.

Table 1. Electrical Specifications & Physical Data

WIRE GAUGE	RECOMMENDED MAXIMUM WIRE LENGTH (FT) FROM UNIT TO THERMOSTAT
22	45
20	70
18	115
16	180

Table 2. Control Wiring (24V)

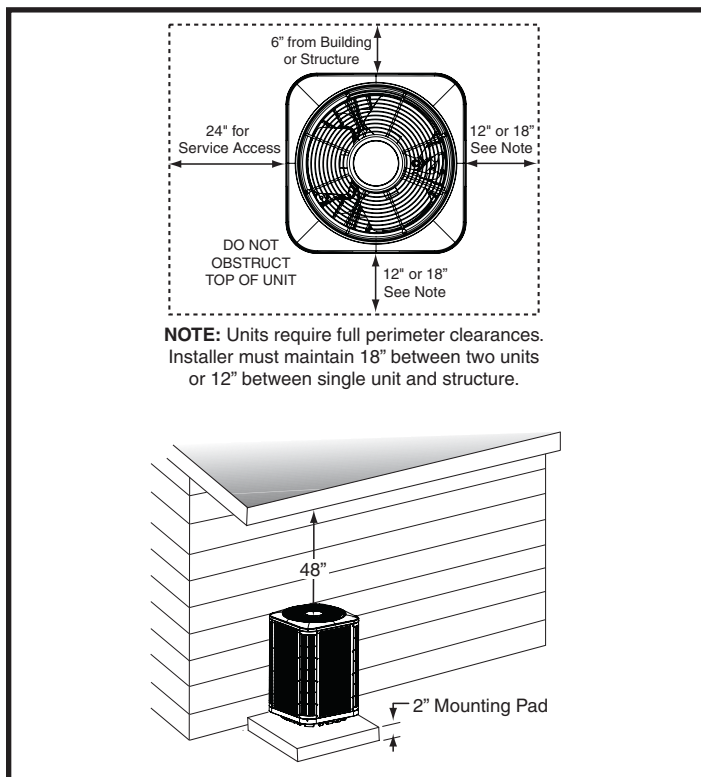
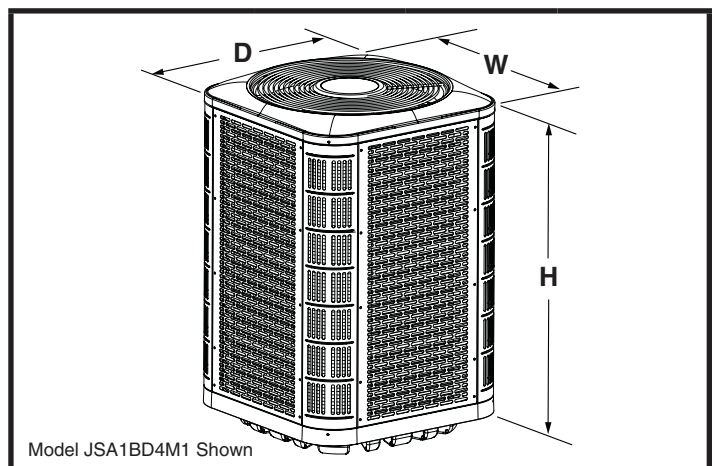


Figure 1. Clearance Requirements



MODEL NUMBER	HEIGHT (H)	WIDTH (W)	DEPTH (D)
*SA1BD4M1SN18K	24 1/2"	23 3/4"	23 3/4"
*SA1BD4M1SN24K	24 1/2"	23 3/4"	23 3/4"
*SA1BD4M1SN30K	28 1/2"	23 3/4"	23 3/4"
*SA1BD4M1SN36K	28 1/2"	23 3/4"	23 3/4"
*SA1BD4M1SN42K	29 1/4"	31 3/4"	31 3/4"
*SA1BD4M1SN48K	29 1/4"	31 3/4"	31 3/4"
*SA1BD4M1SN60K	33 1/4"	31 3/4"	31 3/4"

Table 3. Unit Dimensions

Instructions:

1. Find the column for the model of outdoor unit that is being installed.
2. Find the row for the model of the indoor unit that is being installed.
3. Find the cell in the table in which this row and column meet. In this cell the appropriate orifice / TXV and charge addition for this match are listed. If the text in this cell is BOLD, then a change of orifice is necessary.
4. If a change in restrictor is necessary, then the appropriate restrictor will already be supplied with the outdoor unit.

Examples:

- For the *SA1BD4M1SN30K / B4VM-X30K-B match, the appropriate TXV is the 669565 and 36 ounces of charge will need to be added. (CHANGE IN CHARGE)
- For the *SA1BD4M1SN24K / B6EMMX24K-B match, the appropriate TXV is the 669564 and no additional charge needs to be added. (NO CHANGES ARE NECESSARY)

MODEL NUMBER: *SA1BD4M1SN		18K	24K	30K	36K	42K	48K	60K
ID RESTRICTOR SUPPLIED WITH OD UNIT:		0.048	0.056	0.060, 0.061	0.065, 0.067	0.071, 0.072	0.076, 0.077	
OUTDOOR UNIT BOM CHARGE (OZ.)		40.4	41	40	41	59	60	69.6
MODELS	SUPPLIED WITH ID	REQUIRED RESTRICTOR OR TXV (CHARGE ADDITION (OZ) / RATED AIRFLOW (SCFM))						
B4VM								
B4VM-X24K-A	669564	669564 (30 / 550)	669564 (29 / 700)	--	--	--	--	--
B4VM-X24K-B	669564	669564 (30 / 550)	669564 (29 / 700)	--	--	--	--	--
B4VM-X30K-A	669565	--	--	669565 (36 / 950)	--	--	--	--
B4VM-X30K-B	669565	--	--	669565 (36 / 950)	--	--	--	--
B4VM-X36K-B	669566	--	--	--	669566 (31 / 950)	--	--	--
B4VM-X48K-B	669568	--	--	--	--	669568 (34 / 1250)	--	--
B4VM-X48K-C	669568	--	--	--	--	669568 (34 / 1250)	669568 (36 / 1400)	--
B4VM-X60K-C	669578	--	--	--	--	--	--	669578 (36 / 1600)
GB5BM-0								
GB5BM-024K-A	0.055	0.048 (30 / 675)	0.055 (29 / 700)	--	--	--	--	--
GB5BM-024K-B	0.055	0.048 (30 / 675)	0.055 (29 / 700)	--	--	--	--	--
GB5BM-030K-A	0.065	--	--	0.065 (36 / 950)	--	--	--	--
GB5BM-030K-B	0.065	--	--	0.065 (36 / 950)	--	--	--	--
GB5BM-036K-B	0.073	--	--	--	0.073 (31 / 950)	--	--	--
GB5BM-042K-B	0.077	--	--	--	--	0.077 (34 / 1250)	--	--
GB5BM-048K-C	0.080	--	--	--	--	--	0.080 (36 / 1400)	--
GB5BM-060K-C	0.089	--	--	--	--	--	--	0.089 (36 / 1600)

NOTES:

- The charges listed are only valid for the standard 15' lineset.
- Numbers listed as 0.*** are restrictor diameters, while numbers listed as 669*** are TXV part numbers.

Table 4. Restrictor or TXV / Charge Addition (Oz)

Instructions:

1. Find the column for the model of outdoor unit that is being installed.
2. Find the row for the model of the indoor unit that is being installed.
3. Find the cell in the table in which this row and column meet. In this cell the appropriate orifice / TXV and charge addition for this match are listed. If the text in this cell is BOLD, then a change of orifice is necessary.
4. If a change in restrictor is necessary, then the appropriate restrictor will already be supplied with the outdoor unit.

Examples:

- For the *SA1BD4M1SN30K / B4VM-X30K-B match, the appropriate TXV is the 669565 and 36 ounces of charge will need to be added. (CHANGE IN CHARGE)
- For the *SA1BD4M1SN24K / B6EMMX24K-B match, the appropriate TXV is the 669564 and no additional charge needs to be added. (NO CHANGES ARE NECESSARY)

MODEL NUMBER: *SA1BD4M1SN		18K	24K	30K	36K	42K	48K	60K
ID RESTRICTOR SUPPLIED WITH OD UNIT:		0.048	0.056	0.060, 0.061	0.065, 0.067	0.071, 0.072	0.076, 0.077	0.087
OUTDOOR UNIT BOM CHARGE (OZ.)		40.4	41	40	41	59	60	69.6
MODELS	SUPPLIED WITH ID	REQUIRED RESTRICTOR OR TXV (CHARGE ADDITION (OZ) / RATED AIRFLOW (SCFM))						
GB5BMM								
GB5BMM024K-A	0.055	0.048 (0 / 555)	0.055 (3 / 700)	--	--	--	--	--
GB5BMM024K-B	0.055	0.048 (0 / 550)	0.055 (3 / 720)	--	--	--	--	--
GB5BMM030K-A	0.062	--	--	0.060 (8 / 920)	--	--	--	--
GB5BMM030K-B	0.062	--	--	0.060 (8 / 890)	--	--	--	--
GB5BMM036K-B	0.067	--	--	--	0.065 (15 / 1160)	--	--	--
GB5BMM042K-B	0.074	--	--	--	--	0.072 (0 / 1370)	--	--
GB5BMM048K-B	0.079	--	--	--	--	--	0.079 (2 / 1355)	--
GB5BMM048K-C	0.079	--	--	--	--	--	0.079 (2 / 1630)	--
GB5BMM060K-C	0.087	--	--	--	--	--	--	0.087 (0 / 1950)
B5BM-X								
B5B(M,V)-X24K-A	669564	669564 (30 / 675)	669564 (29 / 700)	--	--	--	--	--
B5B(M,V)-X24K-B	669564	669564 (30 / 675)	669564 (29 / 700)	--	--	--	--	--
B5B(M,V)-X30K-A	669565	--	--	669565 (36 / 950)	--	--	--	--
B5B(M,V)-X30K-B	669565	--	--	669565 (36 / 950)	--	--	--	--
B5B(M,V)-X36K-B	669566	--	--	--	669566 (31 / 950)	--	--	--
B5B(M,V)-X42K-B	669567	--	--	--	--	669567 (34 / 1250)	--	--
B5B(M,V)-X48K-B	669568	--	--	--	--	--	669568 (36 / 1400)	--
B5B(M,V)-X48K-C	669568	--	--	--	--	--	669568 (36 / 1400)	--
B5B(M,V)-X60K-C	669578	--	--	--	--	--	--	669578 (36 / 1600)
B5BW								
GB5BW-030K(*)	0.063†	0.050 (30 / 660)	0.057 (29 / 675)	0.063 (36 / 760)	--	--	--	--

NOTES:

- The charges listed are only valid for the standard 15' lineset.
- Numbers listed as 0.*** are restrictor diameters, while numbers listed as 669*** are TXV part numbers.
- † The GB5BW-030K unit is supplied with extra 0.050, 0.057, and 0.065 restrictors.

Table 4. Restrictor or TXV / Charge Addition (Oz) - Continued

Instructions:

1. Find the column for the model of outdoor unit that is being installed.
2. Find the row for the model of the indoor unit that is being installed.
3. Find the cell in the table in which this row and column meet. In this cell the appropriate orifice / TXV and charge addition for this match are listed. If the text in this cell is BOLD, then a change of orifice is necessary.
4. If a change in restrictor is necessary, then the appropriate restrictor will already be supplied with the outdoor unit.

Examples:

- For the *SA1BD4M1SN30K / B4VM-X30K-B match, the appropriate TXV is the 669565 and 36 ounces of charge will need to be added. (CHANGE IN CHARGE)
- For the *SA1BD4M1SN24K / B6EMMX24K-B match, the appropriate TXV is the 669564 and no additional charge needs to be added. (NO CHANGES ARE NECESSARY)

MODEL NUMBER: *SA1BD4M1SN		18K	24K	30K	36K	42K	48K	60K
ID RESTRICTOR SUPPLIED WITH OD UNIT:		0.048	0.056	0.060, 0.061	0.065, 0.067	0.071, 0.072	0.076, 0.077	0.087
OUTDOOR UNIT BOM CHARGE (OZ.)		40.4	41	40	41	59	60	69.6
MODELS	SUPPLIED WITH ID	REQUIRED RESTRICTOR OR TXV (CHARGE ADDITION (OZ) / RATED AIRFLOW (SCFM))						
B6BMM0								
B6BMM024K-A	0.055	0.048 (0 / 555)	0.055 (3 / 700)	--	--	--	--	--
B6BMM024K-B	0.055	0.048 (0 / 550)	0.055 (3 / 720)	--	--	--	--	--
B6BMM030K-A	0.062	--	--	0.060 (8 / 920)	--	--	--	--
B6BMM030K-B	0.062	--	--	0.060 (8 / 890)	--	--	--	--
B6BMM036K-B	0.067	--	--	--	0.065 (15 / 1160)	--	--	--
B6BMM042K-B	0.074	--	--	--	--	0.072 (0 / 1370)	--	--
B6BMM048K-B	0.079	--	--	--	--	--	0.079 (2 / 1355)	--
B6BMM048K-C	0.079	--	--	--	--	--	0.079 (2 / 1630)	--
B6BMM060K-C	0.087	--	--	--	--	--	--	0.087 (0 / 1950)
B6BMMX								
B6BMMX24K-A	669564	669564 (0 / 670)	669564 (0 / 740)	--	--	--	--	--
B6BMMX24K-B	669564	669564 (0 / 530)	669564 (0 / 690)	--	--	--	--	--
B6BMMX30K-A	669565	--	--	669565 (2 / 960)	--	--	--	--
B6BMMX30K-B	669565	--	--	669565 (2 / 910)	--	--	--	--
B6BMMX36K-B	669566	--	--	--	669566 (6 / 1155)	--	--	--
B6BMMX42K-B	669567	--	--	--	--	669567 (4 / 1265)	--	--
B6BMMX48K-C	669568	--	--	--	--	--	669568 (3 / 1430)	--
B6BMMX60K-C	669578	--	--	--	--	--	--	669578 (0 / 1605)

NOTES:

- The charges listed are only valid for the standard 15' lineset.
- Numbers listed as 0.*** are restrictor diameters, while numbers listed as 669*** are TXV part numbers.

Table 4. Restrictor or TXV / Charge Addition (Oz) - Continued

Instructions:

1. Find the column for the model of outdoor unit that is being installed.
2. Find the row for the model of the indoor unit that is being installed.
3. Find the cell in the table in which this row and column meet. In this cell the appropriate orifice / TXV and charge addition for this match are listed. If the text in this cell is BOLD, then a change of orifice is necessary.
4. If a change in restrictor is necessary, then the appropriate restrictor will already be supplied with the outdoor unit.

Examples:

- For the *SA1BD4M1SN30K / B4VM-X30K-B match, the appropriate TXV is the 669565 and 36 ounces of charge will need to be added. (CHANGE IN CHARGE)
- For the *SA1BD4M1SN24K / B6EMMX24K-B match, the appropriate TXV is the 669564 and no additional charge needs to be added. (NO CHANGES ARE NECESSARY)

MODEL NUMBER: *SA1BD4M1SN		18K	24K	30K	36K	42K	48K	60K
ID RESTRICTOR SUPPLIED WITH OD UNIT:		0.048	0.056	0.060, 0.061	0.065, 0.067	0.071, 0.072	0.076, 0.077	0.087
OUTDOOR UNIT BOM CHARGE (OZ.)		40.4	41	40	41	59	60	69.6
MODELS	SUPPLIED WITH ID	REQUIRED RESTRICTOR OR TXV (CHARGE ADDITION (OZ) / RATED AIRFLOW (SCFM))						
B6BM-X								
B6BM-X24K-A	669564	669564 (30 / 675)	669564 (29 / 825)	--	--	--	--	--
B6BM-X24K-B	669564	669564 (30 / 650)	669564 (28 / 800)	--	--	--	--	--
B6BM-X30K-A	669565	--	--	669565 (36 / 950)	--	--	--	--
B6BM-X30K-B	669565	--	669565 (29 / 700)	669565 (36 / 950)	--	--	--	--
B6BM-X36K-B	669566	--	--	--	669566 (40 / 1145)	--	--	--
B6BM-X42K-B	669567	--	--	--	--	669567 (34 / 1250)	--	--
B6BM-X48K-C	669568	--	--	--	--	--	669568 (34 / 1585)	--
B6BM-X60K-C	669578	--	--	--	--	--	--	669578 (36 / 1600)
B6BW								
B6BW-018K(*)	0.048	0.048 (0 / 600)	--	--	--	--	--	--
B6BW-024K(*)	0.057	--	0.057 (3 / 800)	--	--	--	--	--
B6BW-030K(*)	0.060	--	--	0.060 (8 / 950)	--	--	--	--
B6BW-036K(*)	0.069	--	--	--	0.067 (0 / 1100)	--	--	--
B6EW								
B6EW-X18K	669564	669564 (9 / 640)	--	--	--	--	--	--
B6EW-X24K	669564	--	669564 (5 / 800)	--	--	--	--	--
B6EW-X30K	669565	--	--	669565 (13 / 905)	--	--	--	--
B6EW-X36K	669566	--	--	--	669566 (13 / 1200)	--	--	--

NOTES:

- The charges listed are only valid for the standard 15' lineset.
- Numbers listed as 0.*** are restrictor diameters, while numbers listed as 669*** are TXV part numbers.

Table 4. Restrictor or TXV / Charge Addition (Oz) - Continued

Instructions:

1. Find the column for the model of outdoor unit that is being installed.
2. Find the row for the model of the indoor unit that is being installed.
3. Find the cell in the table in which this row and column meet. In this cell the appropriate orifice / TXV and charge addition for this match are listed. If the text in this cell is BOLD, then a change of orifice is necessary.
4. If a change in restrictor is necessary, then the appropriate restrictor will already be supplied with the outdoor unit.

Examples:

- For the *SA1BD4M1SN30K / B4VM-X30K-B match, the appropriate TXV is the 669565 and 36 ounces of charge will need to be added. (CHANGE IN CHARGE)
- For the *SA1BD4M1SN24K / B6EMMX24K-B match, the appropriate TXV is the 669564 and no additional charge needs to be added. (NO CHANGES ARE NECESSARY)

MODEL NUMBER: *SA1BD4M1SN		18K	24K	30K	36K	42K	48K	60K
ID RESTRICTOR SUPPLIED WITH OD UNIT:		0.048	0.056	0.060, 0.061	0.065, 0.067	0.071, 0.072	0.076, 0.077	0.087
OUTDOOR UNIT BOM CHARGE (OZ.)		40.4	41	40	41	59	60	69.6
MODELS	SUPPLIED WITH ID	REQUIRED RESTRICTOR OR TXV (CHARGE ADDITION (OZ) / RATED AIRFLOW (SCFM))						
B6EM								
B6EMMX24K-A	669564	669564 (0 / 670)	669564 (0 / 740)	--	--	--	--	--
B6EMMX24K-B	669564	669564 (0 / 530)	669564 (0 / 690)	--	--	--	--	--
B6EMMX30K-A	669565	--	--	669565 (2 / 960)	--	--	--	--
B6EMMX30K-B	669565	--	--	669565 (2 / 910)	--	--	--	--
B6EMMX36K-B	669566	--	--	--	669566 (6 / 1155)	--	--	--
B6EMMX42K-B	669567	--	--	--	--	669567 (4 / 1265)	--	--
B6EMMX48K-C	669852	--	--	--	--	669852 (5 / 1465)	669852 (3 / 1430)	--
B6EMMX60K-C	669578	--	--	--	--	--	--	669578 (0 / 1605)
B6VM								
B6VMAX24K-A	669564	669564 (30 / 550)	669564 (29 / 700)	--	--	--	--	--
B6VMAX24K-B	669564	669564 (30 / 525)	669564 (29 / 700)	--	--	--	--	--
B6VMAX30K-A	669565	--	--	669565 (36 / 950)	--	--	--	--
B6VMAX30K-B	669565	--	669565 (29 / 700)	669565 (36 / 950)	--	--	--	--
B6VMAX36K-B	669566	--	--	--	669566 (31 / 1100)	--	--	--
B6VMAX42K-B	669567	--	--	--	--	669567 (34 / 1250)	--	--
B6VMAX48K-C	669568	--	--	--	--	669568 (34 / 1250)	669568 (36 / 1400)	--
B6VMAX60K-C	669578	--	--	--	--	--	--	669578 (36 / 1600)
B6VMMX								
B6VMMX24K-A	669564	669564 (0 / 670)	669564 (0 / 740)	--	--	--	--	--
B6VMMX24K-B	669564	669564 (0 / 530)	669564 (0 / 690)	--	--	--	--	--
B6VMMX30K-A	669565	--	--	669565 (2 / 960)	--	--	--	--
B6VMMX30K-B	669565	--	--	669565 (2 / 910)	--	--	--	--
B6VMMX36K-B	669566	--	--	--	669566 (6 / 1155)	--	--	--
B6VMMX42K-B	669567	--	--	--	--	669567 (4 / 1265)	--	--
B6VMMX48K-C	669568	--	--	--	--	669568 (5 / 1465)	669568 (3 / 1430)	--
B6VMMX60K-C	669578	--	--	--	--	--	--	669578 (0 / 1605)

NOTES:

- The charges listed are only valid for the standard 15' lineset.
- Numbers listed as 0.*** are restrictor diameters, while numbers listed as 669*** are TXV part numbers.

Table 4. Restrictor or TXV / Charge Addition (Oz) - Continued

Instructions:

1. Find the column for the model of outdoor unit that is being installed.
2. Find the row for the model of the indoor unit that is being installed.
3. Find the cell in the table in which this row and column meet. In this cell the appropriate orifice / TXV and charge addition for this match are listed. If the text in this cell is BOLD, then a change of orifice is necessary.
4. If a change in restrictor is necessary, then the appropriate restrictor will already be supplied with the outdoor unit.

Examples:

- For the *S4BD-30K / B4VM-X30K-B match, the appropriate TXV is the 669565 and 36 ounces of charge will need to be added. (CHANGE IN CHARGE)
- For the *S4BD-24K / B6EMMX24K-B match, the appropriate TXV is the 669564 and no additional charge needs to be added. (NO CHANGES ARE NECESSARY)

MODEL NUMBER: *SA1BD4M1SN		18K	24K	30K	36K	42K	48K	60K
ID RESTRICTOR SUPPLIED WITH OD UNIT:		0.048	0.056	0.060, 0.061	0.065, 0.067	0.071, 0.072	0.076, 0.077	0.087
OUTDOOR UNIT BOM CHARGE (OZ.)		40.4	41	40	41	59	60	69.6
MODELS	SUPPLIED WITH ID	REQUIRED RESTRICTOR OR TXV (CHARGE ADDITION (OZ) / RATED AIRFLOW (SCFM))						
C6								
C6B(A,H)-X24(C,U)-A	669564	669564 (30 / 530)	669564 (29 / 700)	--	--	--	--	--
C6B(A,H)-X24(C,U)-B	669681	669681 (30 / 600)	669681 (29 / 700)	--	--	--	--	--
C6B(A,H)-X30(C,U)-A	669565	--	--	669565 (36 / 950)	--	--	--	--
C6B(A,H)-X30(C,U)-B	669682	--	--	669682 (36 / 950)	--	--	--	--
C6B(A,H)-X30(C,U)-C	669682	--	--	669682 (36 / 1000)	--	--	--	--
C6B(A,H)-X35(C,U)-A	669566	--	--	--	669566 (31 / 950)	--	--	--
C6B(A,H)-X35(C,U)-B	669683	--	--	--	669683 (31 / 950)	--	--	--
C6B(A,H)-X36(C,U)-B	669683	--	--	--	669683 (31 / 1100)	--	--	--
C6B(A,H)-X36(C,U)-C	669683	--	--	--	669683 (31 / 1100)	--	--	--
C6B(A,H)-X42(C,U)-B	669684	--	--	--	--	669684 (34 / 1250)	--	--
C6B(A,H)-X42(C,U)-C	669684	--	--	--	--	669684 (34 / 1250)	--	--
C6B(A,H)-X42(C,U)-D	669684	--	--	--	--	669684 (34 / 1250)	--	--
C6B(A,H)-X47(C,U)-C	669852	--	--	--	--	--	669852 (36 / 1600)	--
C6B(A,H)-X48(C,U)-C	669852	--	--	--	--	--	669852 (36 / 1600)	--
C6B(A,H)-X48(C,U)-D	669852	--	--	--	--	--	669852 (36 / 1600)	--
C6B(A,H)-X60(C,U)-C	669686	--	--	--	--	--	--	669686 (36 / 1600)
C6B(A,H)-X60(C,U)-D	669686	--	--	--	--	--	--	669686 (36 / 1600)

NOTES:

- The charges listed are only valid for the standard 15' lineset.
- Numbers listed as 0.*** are restrictor diameters, while numbers listed as 669*** are TXV part numbers.

Table 4. Restrictor or TXV / Charge Addition (Oz) - Continued

MODEL NUMBER: *SA1BD4M1SN		18K	24K	30K	36K	42K	48K	60K
ID RESTRICTOR SUPPLIED WITH OD UNIT:		0.048	0.056	0.060, 0.061	0.065, 0.067	0.071, 0.072	0.076, 0.077	0.087
OUTDOOR UNIT BOM CHARGE (OZ.)		40.4	41	40	41	59	60	69.6
MODELS	SUPPLIED WITH ID	REQUIRED RESTRICTOR OR TXV (CHARGE ADDITION (OZ) / RATED AIRFLOW (SCFM))						
C7-0								
C7B(A,H)M01824(C,U)-A	0.048	0.048 (0 / 605)	0.056 (0 / 700)	--	--	--	--	--
C7B(A,H)M01824(C,U)-B	0.055	0.048 (0 / 535)	0.055 (5 / 700)	--	--	--	--	--
C7B(A,H)M030(C,U)-C	0.061	--	--	0.061 (0 / 960)	--	--	--	--
C7B(A,H)M03036(C,U)-A	0.061	--	--	0.061 (0 / 960)	0.067 (10 / 1055)	--	--	--
C7B(A,H)M03036(C,U)-B	0.067	--	--	0.061 (0 / 960)	0.067 (10 / 1055)	--	--	--
C7B(A,H)M03642(C,U)-B	0.071	--	--	--	0.067 (10 / 1055)	0.071 (7 / 1290)	--	--
C7B(A,H)M03648(C,U)-C	0.067	--	--	--	0.067 (10 / 1055)	0.071 (7 / 1290)	0.076 (0 / 1415)	--
C7B(A,H)M042(C,U)-D	0.071	--	--	--	--	0.071 (7 / 1290)	--	--
C7B(A,H)M048(C,U)-C	0.077	--	--	--	--	--	0.077 (6 / 1305)	--
C7B(A,H)M048(C,U)-D	0.077	--	--	--	--	--	0.077 (6 / 1305)	--
C7B(A,H)M060(C,U)-C	0.083	--	--	--	--	--	--	0.083 (12 / 1445)
C7B(A,H)M060(C,U)-D	0.083	--	--	--	--	--	--	0.083 (12 / 1445)
C7-X								
C7B(A,H)MX24(C,U)-A	669681	669681 (0 / 650)	669681 (0 / 695)	--	--	--	--	--
C7B(A,H)MX24(C,U)-B	669681	669681 (0 / 530)	669681 (0 / 700)	--	--	--	--	--
C7B(A,H)MX30(C,U)-A	669682	--	--	669682 (0 / 955)	--	--	--	--
C7B(A,H)MX30(C,U)-B	669682	--	--	669682 (0 / 955)	--	--	--	--
C7B(A,H)MX30(C,U)-C	669682	--	--	669682 (0 / 970)	--	--	--	--
C7B(A,H)MX36(C,U)-B	669683	--	--	--	669683 (0 / 1100)	--	--	--
C7B(A,H)MX36(C,U)-C	669683	--	--	--	669683 (0 / 1100)	--	--	--
C7B(A,H)MX42(C,U)-B	669684	--	--	--	--	669684 (5 / 1245)	--	--
C7B(A,H)MX42(C,U)-C	669684	--	--	--	--	669684 (5 / 1245)	--	--
C7B(A,H)MX48(C,U)-C	669852	--	--	--	--	--	669852 (0 / 1400)	--
C7B(A,H)MX48(C,U)-D	669852	--	--	--	--	--	669852 (0 / 1400)	--
C7B(A,H)MX60(C,U)-C	669686	--	--	--	--	--	--	669686 (4 / 1695)
C7B(A,H)MX60(C,U)-D	669686	--	--	--	--	--	--	669686 (4 / 1695)

NOTES:

- The charges listed are only valid for the standard 15' lineset.
- Numbers listed as 0.*** are restrictor diameters, while numbers listed as 669*** are TXV part numbers.

Table 4. Restrictor or TXV / Charge Addition (Oz) - Continued

