

# INSTALLATION INSTRUCTIONS

## CORNER PROTECTOR FOR LARGE PACKAGE UNITS

DESCRIPTION	QTY
Corner Protector	4
Self Tapping Screws	2
Installation Instructions	1

Table 1. Parts List

### IMPORTANT SAFETY INFORMATION

Please read all instructions before installing these components. Pay attention to all safety warnings and any other special notes highlighted in the manual. Safety markings are used frequently throughout this manual to designate a degree or level of seriousness and should not be ignored.

**WARNING** indicates a potentially hazardous situation that if not avoided, could result in personal injury or death.

### **WARNING:**

**RISK OF ELECTRICAL SHOCK**  
Shut off all electrical power to the unit before performing any maintenance or service on the system. Failure to follow this warning can cause serious injury, fire, electrical shock, or death.

- The installer performing this work assumes all responsibility when installing this kit. These instructions are primarily intended to assist qualified individuals experienced in the proper installation of these components. Some local codes may require licensed installation/service personnel for this type of equipment. Safety should always be the deciding factor when installing this product and using common sense plays an important role as well. Improper installation of the components or failure to follow safety warnings could result in serious injury, death, or property damage.
- Unless noted otherwise in these instructions, only factory authorized parts or accessory kits may be used. Improper installation, service, adjustment, or maintenance may cause fire, electrical shock or other hazardous conditions which may result in personal injury or property damage.
- Use caution when handling the appliance or removing components. Personal injury can occur from sharp metal edges present in all sheet metal constructed equipment.

### INSTALLATION PROCEDURE

Instructions for installing corner protectors are listed below. It is recommended that the power be turned off before installing these on the unit.

1. Remove screws from the corner of the unit as shown in Figure 1.
2. Place corner protector on the corner of the unit
3. Replace corner screws to secure the corner protectors on the unit.
4. Using the self-tapping screws (where applicable), secure the corner protector to the unit.

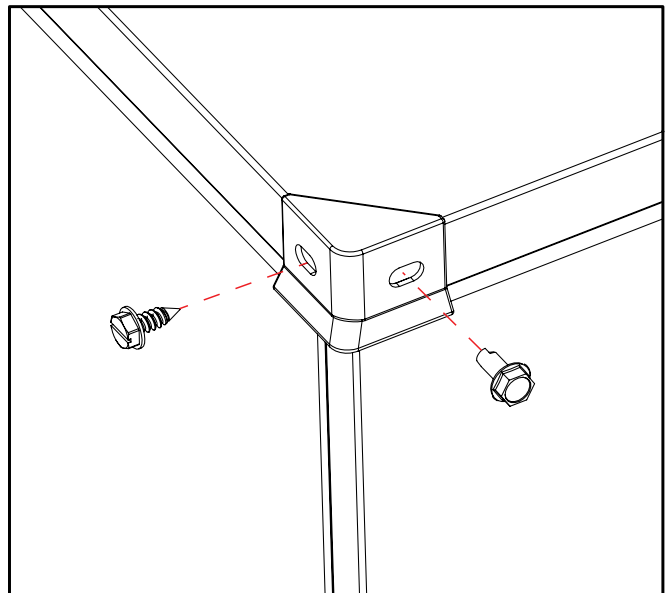


Figure 1. Corner Protector

