

Coil Cabinet (Model No. 922594)

INSTALLATION INSTRUCTIONS

Gas & Oil Furnaces for Manufactured Housing

IMPORTANT SAFETY INFORMATION

INSTALLER: Please read all instructions before servicing this equipment. Pay attention to all safety warnings and any other special notes highlighted in the manual. Safety markings are used frequently throughout this manual to designate a degree or level of seriousness and should not be ignored.

WARNING - indicates a potentially hazardous situation that if not avoided, could result in personal injury or death.

CAUTION - indicates a potentially hazardous situation that if not avoided, may result in minor or moderate injury or property damage.

WARNING:

The safety information listed in this manual must be followed during the installation, service, and operation of this unit. Unqualified individuals should not attempt to interpret these instructions or install this equipment. Failure to follow safety recommendations could result in possible damage to the equipment, serious personal injury or death.

WARNING:

Improper installation, service, adjustment, or maintenance may cause explosion, fire, electrical shock or other hazardous conditions which may result in personal injury or property damage. Unless otherwise noted in these instructions, only factory authorized kits or accessories may be used with this product.

- To minimize equipment failure or personal injury, it is essential that only qualified individuals install, service, or maintain this equipment. If you do not possess mechanical skills or tools, call your local dealer for assistance.
- Follow all precautions in the literature, on tags, and on labels provided with the equipment. Read and thoroughly understand the instructions provided with the equipment prior to performing the installation and operational checkout of the equipment.
- Use caution when handling this appliance or removing components. Personal injury can occur from sharp metal edges present in all sheet metal constructed equipment.

ABOUT THE COIL CABINET

The Coil Cabinet (Model No. 922594) can be used with manufactured housing gas & oil furnaces that do not have a factory installed coil box. Specifically, this coil cabinet allows a 24" tall indoor coil to be used with a manufactured housing gas or oil furnace. This coil cabinet is for use with C**A Series air conditioner/heat pump indoor coils.

INSTALLATION

1. Shut off the electrical power and the fuel supply.
2. Disconnect flue pipes from the furnace and telescope upwards. **NOTE:** Units with roof jack assemblies only.
3. Remove the furnace door.
4. Remove the furnace mounting screws from the front corners of the furnace and slide the furnace off of the duct connector. See Figure 1.
5. Place the coil cabinet on the duct connector.
6. Slide the coil cabinet back onto the mounting plate until the rear tabs (Figure 1) engage with the coil cabinet.
7. Secure the coil cabinet to the floor with one screw at each front corner of the cabinet.
8. Slide the furnace onto the coil cabinet until the rear bracket tabs engage with the rear of the furnace.
9. Secure the front of the furnace with the two mounting screws through the holes provided.
10. If installing an evaporator coil into the coil cabinet, follow the installation instructions provided with the evaporator coil.
11. Remove the front panel from the coil cabinet by removing the sheet metal screws.
12. Remove the knock-out panel on the front panel of the coil cabinet for the refrigerant lines and drain hose.
13. After installation of the refrigerant lines and drain hose, re-install the front panel.
14. Complete the electrical wiring and the fuel line/venting system (for gas and oil furnaces) in accordance with the furnace installation instructions and applicable codes.
15. Install the decorator panel by fitting the clips on the sides of the decorator panel into the clip holes on the coil cabinet. See Figure 2. Secure the top of the decorator panel to the base of the furnace with two screws.

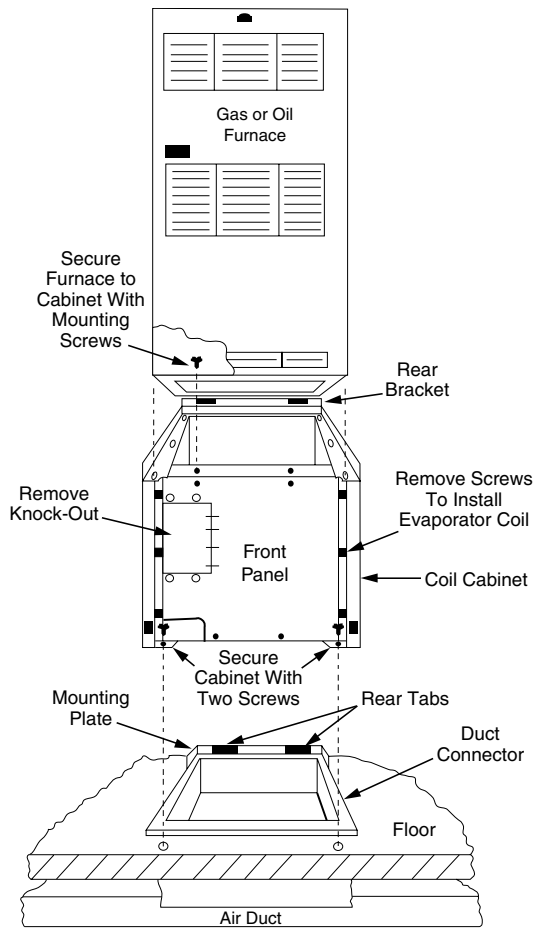


Figure 1. Gas or Oil Furnace

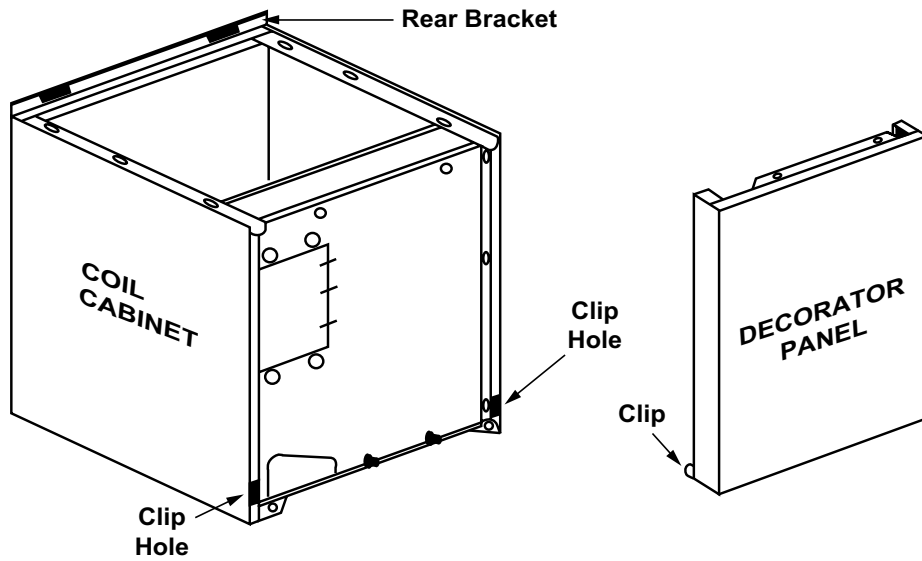


Figure 2. Coil Cabinet with Decorator Panel

