

# ELECTRIC FURNACE DOWNFLOW COIL CABINET

## INSTALLATION INSTRUCTIONS

### For Use with E Series Electric Furnace Coil Cabinets

#### ABOUT THE COIL CABINET

This coil cabinet is designed for non-ducted downflow and front return installations. The outside top and bottom are factory equipped with gasketing to ensure a sealed fit with the electric furnace. See Figure 1.

Review the furnace installation instructions for specific details on return air, filtering systems, and installation requirements before proceeding.

#### General Information

- System may be installed with non-ducted or front return air.
- Remove refrigerant line knockouts only when installing an indoor coil for an air conditioning or heat pump system. Refer to coil instructions for further additional details.
- Provide minimum clearances at front, rear and side walls of closet for installation of furnace.
- The system should be leveled at installation and attached to a properly installed duct system (ducted systems only).
- Determine best location for installing the system. Consideration should be given to availability of electric power, service access, and installation of refrigerant lines.
- Additional provisions may be necessary for optional air conditioning if refrigerant lines are installed other than at the front of the furnace.
- An optional upflow duct connector or field supplied connector may be used to attach the furnace to the overhead supply duct (upflow systems only).
- There is one filter pre-installed downflow coil cabinet. The 18" x 30" filter is located behind the grille. The filter from the E4 furnace (18" x 20") needs to be moved from furnace to the top of the coil cabinet. Both filters are disposable and should be checked and/or replaced once a month or as often as necessary.

#### COIL CABINET INSTALLATION

**NOTE:** A wall mount grille may be installed in the wall or door (if installed in a closet). It should be located above the coil cabinet's return air inlet. The return air will be filtered through a disposable filter that will be installed in the top of the coil cabinet.

1. Position the downflow furnace over the opening in the floor. See installation instructions provided with the furnace for floor cutout dimensions. **NOTE:** Make sure the airflow opening in the furnace is properly aligned and unrestricted over the opening in the floor. See installation instructions provided with the furnace for floor cutout dimensions. Coil cabinet dimensions are shown in Figure 1.
2. Remove the VentilAire duct connector from the E series furnace (if equipped) and cover the hole with metal tape or sheet metal.
3. Remove the 18" x 30" filter and the louvered door from the coil cabinet and the 18" x 20" filter and filter retainer from the E series furnace. The filter retainer can be discarded. See Figure 2.
4. Install the VentilAire duct to the top of the coil cabinet at the location shown in Figure 2.
5. Place coil cabinet on top of the furnace and align all 4 sides.

**NOTE:** Make sure the inside gasket surface is on the bottom, the gasket on the outside of the cabinet remains intact, and airflow passage between the furnace and coil cabinet are aligned and unrestricted. See figure 2.

6. Secure both units together with four fasteners, using holes that were pre-drilled at the factory.
  7. Install the coil in accordance to the installation instructions provided with the unit.
  8. Install the 18" x 20" filter in the top filter rack assembly.
  9. Install the bottom bracket (white painted) by placing the tabs over bottom edge of coil cabinet as shown in Figure 2.
- NOTE:** Make sure the sides and bottom of the bracket are flush with the sides and bottom of the cabinet.
10. Install the 18" x 30" filter in the side filter brackets and reinstall the louvered door in the door racket. Secure the door to the cabinet with the pawl latch.

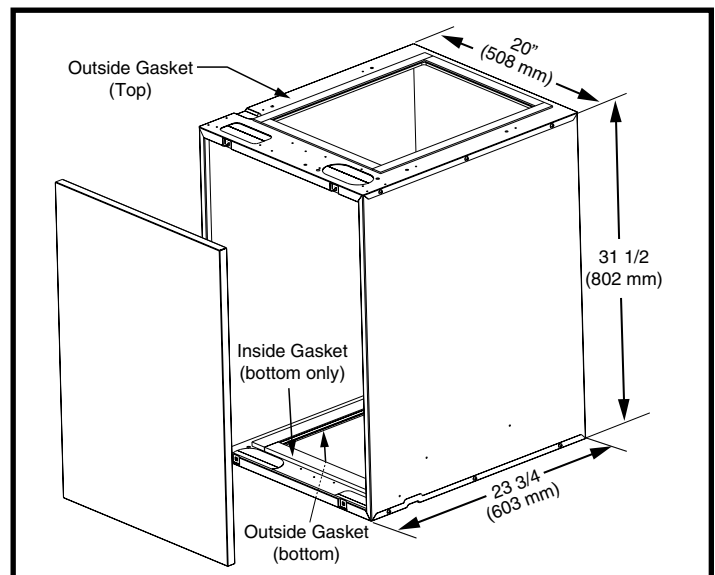


Figure 1. Coil Cabinet Dimensions

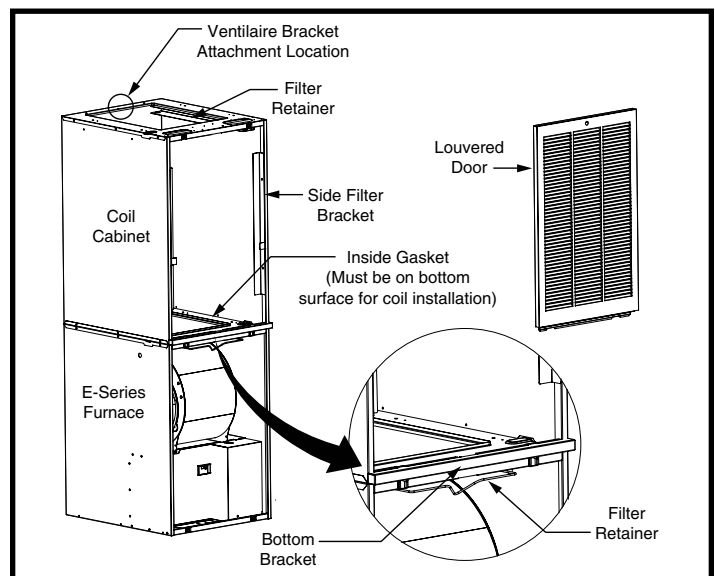


Figure 2. E Series Downflow Coil Cabinet

**INSTALLER: PLEASE LEAVE THESE INSTALLATION INSTRUCTIONS WITH THE EQUIPMENT OWNER**

