

Submittal: UMD(48,60)MSK3IH 4&5 Ton Inverter Split System Heat Pump IDU

Inverter Split System Features and Benefits:

- Indoor coil is epoxy-resin coated showing no unexpected corrosion in 500 hr salt spray test
- High-Efficiency ECM Blower Motor
- Electric Heat Kits are Available in Various kW Ratings
- Isolation Valves on the Indoor Unit Reduce Evacuation Time
- Conveniently-Located Indoor Service Valves
- Includes Flexible Suction Line Connector for Easier Installation



Power Supply

	4-Ton	5-Ton
Voltage (Min-Max):	187 - 253	187 - 253
MOCP:	15	15

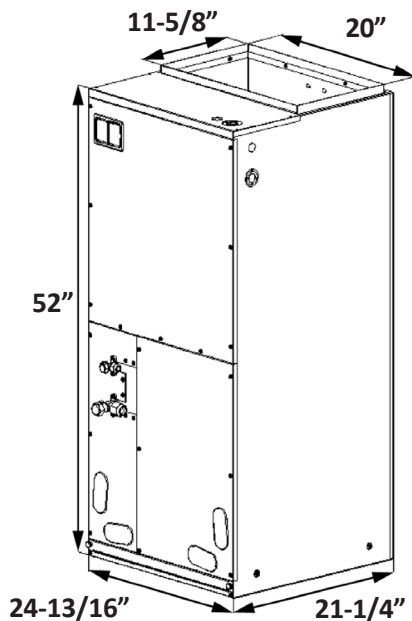
Physical Characteristics

Net Weight (lbs): 199.5
Dimensions (in):
 Width: 24.8"
 Depth: 21.2"
 Height: 51.9"

Piping Connection Size

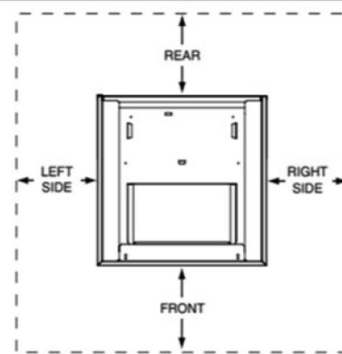
ODU Connection Size (Liquid): 3/8"
 ODU Connection Size (Gas): 3/4"

Dimensions



Installation Clearances

Left Side	0 Inches	Right Side	0 Inches
Back	0 Inches	Front	†See Notes



†NOTE:

Alcove Installations - Allow 24 in. minimum clearance from front of unit to nearest wall or partition for servicing. Recommended clearance is 36 in.

Submittal: UMD(48,60)MSK3IH 4&5 Ton Inverter Split System Heat Pump IDU**Blower Data**

Model	UMD48MSK3IH											
	Static pressure(Inches W.C.)											
Level	0	0.1	0.15	0.2	0.3	0.4	0.5	0.6	0.7	0.8	0.9	1.0
Speed 1(CFM)	1680	1650	1500	<u>1350</u>	-	-	-	-	-	-	-	-
Speed 2(CFM)	1810	1690	1620	1550	<u>1380</u>	-	-	-	-	-	-	-
Speed 3(CFM)	1930	1830	1770	1710	1580	1480	<u>1200</u>	-	-	-	-	-
Speed 4(CFM)	2280	2240	2200	2180	2130	2080	2000	1880	1750	1600	1400	<u>1200</u>
Speed 5(CFM)	2300	2260	2220	2190	2140	2090	2040	1980	1930	1800	1700	<u>1550</u>

Model	UMD60MSK3IH											
	Static pressure(Inches W.C.)											
Level	0	0.1	0.15	0.2	0.3	0.4	0.5	0.6	0.7	0.8	0.9	1.0
Speed 1(CFM)	1850	1720	1650	<u>1600</u>	-	-	-	-	-	-	-	-
Speed 2(CFM)	1920	1800	1730	1650	<u>1480</u>	-	-	-	-	-	-	-
Speed 3(CFM)	2110	2000	1950	1860	1760	1640	<u>1500</u>	-	-	-	-	-
Speed 4(CFM)	2300	2260	2230	2200	2150	2115	2050	1990	1920	1790	1650	<u>1470</u>
Speed 5(CFM)	2320	2280	2250	2230	2190	2140	2080	2040	2000	1950	1920	<u>1890</u>

NOTE: Please refer to above table for fan speed selection, and '-' is not allowed to be used.