
TECHNICAL SPECIFICATIONS

DT5(B,Q)D Series High Efficiency Heat Pumps 13+ SEER Residential System 1.5 - 5 Ton Capacity

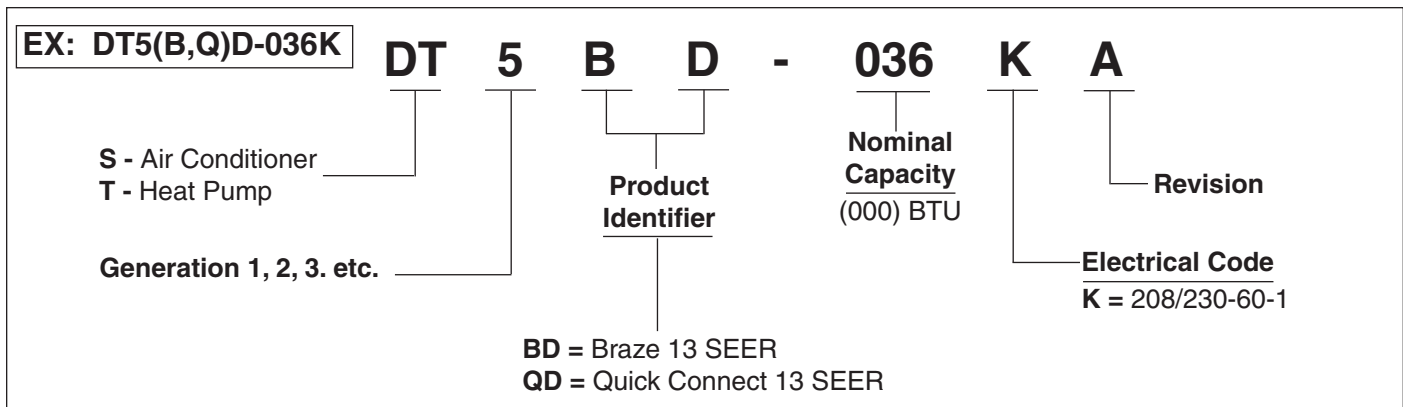
The DT5QD Series of heat pumps offers exceptional performance. The heat pump, when combined with our engineered matched indoor coils, offer a full line of quality, split-system heat pumps. Units are ideally sized for manufactured housing applications.

FEATURES and BENEFITS

- **Warranty** – The best in the industry
 - 1 year limited parts
 - 5 year compressor
 - 1 year mileage
 - 1 year labor
- **Copper Tube / Aluminum Fin Coils** – Both indoor and outdoor coils are designed to optimize heat transfer, minimize size and cost, and increase durability and reliability.
- **Permanently Lubricated Motor** – A heavy duty PSC motor for long lasting reliability and quiet operation. Requires no maintenance and is completely protected from rain and snow.
- **Time /Temperature Defrost** – A reliable, industry standard control offers various time settings to meet any type climate.
- **Removable Top Grille Assembly** – Allows ease of service from the top without disconnecting fan motor leads.
- **Composite Base Pan** – Absorbs sound and corrosion resistant. Composite is also stronger and lighter than steel.
- **Steel Guard™** – Protects the unit coil from being damaged by balls, lawn mowers, hail, etc.
- **One Piece Top/Orifice** – Designed for maximum airflow and quiet operation.
- **Common Suction Service Port** – This port allows the contractor to read the suction pressure in all modes of operation without removing any panels, saving time and increasing serviceability.
- **Five Minute Restart Time Delay** – When the unit shuts down, a five minute delay keeps the unit from restarting, eliminating the highest cause for compressor failure.
- **Suction Accumulator** – Protection from liquid flood back and future compressor failures. All 12 seer H.P. have scroll compressors.
- **Hot Gas Muffler** – Reduces compressor noise and vibration.
- **Easy Compressor and Control Access** – Designed to make servicing easier for the contractor, access panels are provided to all controls and the compressor from the side of the unit.
- **Durable, Attractive Cabinet** – Designed using galvanized steel with a polyester urethane finish. The 950 hour salt spray finish is 1.5 mil thick and resists corrosion 50% better than comparable units.

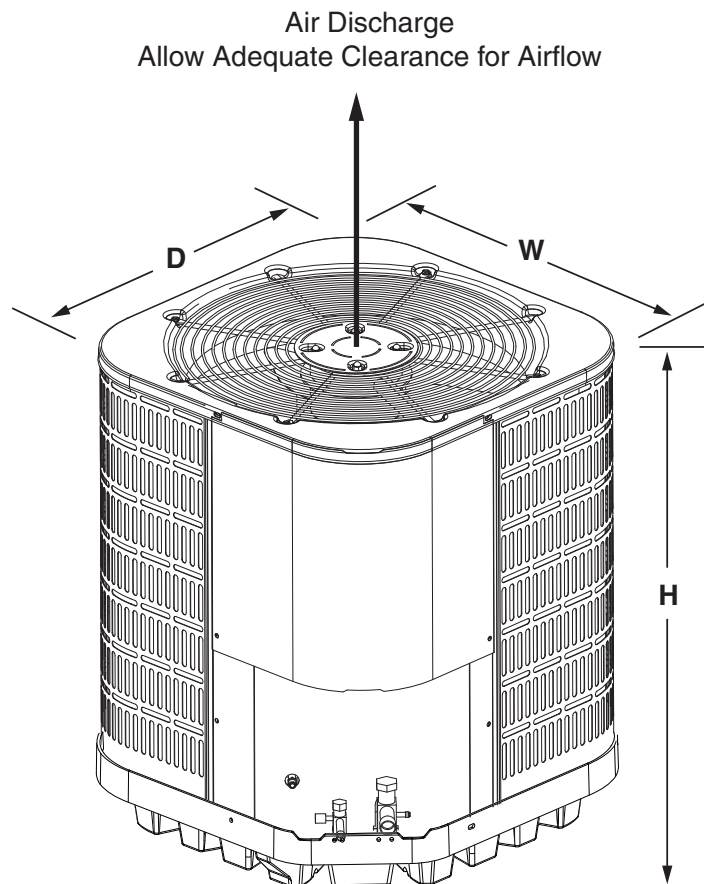


MODEL IDENTIFICATION CODES



DIMENSIONS HEAT PUMP OUTDOOR SECTION

DT5(B,Q)D	018K	024KA	030KA	036K	042K	048K	060K
H	27	27	39	43	39	43	43
W	30-3/4	30-3/4	30-3/4	30-3/4	30-3/4	30-3/4	30-3/4
D	30-3/4	30-3/4	30-3/4	30-3/4	30-3/4	30-3/4	30-3/4



PHYSICAL AND ELECTRICAL SPECIFICATIONS / OUTDOOR UNITS

13 SEER — High Efficiency — Single Phase

Model Number DT5(B,Q)D		018K	024KA	030KA	036K	042K	048K	060K	
Electrical Data	Volts-Cycles-Phase (1)	208/230-60-1	208/230-60-1	208/230-60-1	208/230-60-1	208/230-60-1	208/230-60-1	208/230-60-1	
	Total Amps	10.3	13.0	14.6	17.4	19.4	21.8	29.4	
	Delay Fuse Max. (2)	20	25	30	35	40	45	60	
	Min. Circuit Ampacity	13.4	16.0	18.0	21.5	23.4	26.9	36.4	
Component Data	Coil	Area	15.17	15.17	22.88	25.42	22.88	25.42	25.42
		Rows-FPI	1 - 18	1 - 18	1 - 20	1 - 20	2 - 16	2 - 16	2 - 16
		Tube Dia	3/8" O.D.	3/8" O.D.	3/8" O.D.	3/8" O.D.	3/8" O.D.	3/8" O.D.	3/8" O.D.
	Fan Motor	Type	PSC	PSC	PSC	PSC	PSC	PSC	PSC
		Amps	0.91	0.91	1.00	1.00	1.00	1.4	1.4
		HP	1/8	1/8	1/4	1/4	1/4	1/4	1/4
	Fan Blade	Dia-# Blades	24" - 3	24" - 3	24" - 3	24" - 3	24" - 3	24" - 3	24" - 3
		SCFM	2370	2370	3000	3000	3000	4000	4000
	Compressor Data	RLA	10	12	14	16.4	18.4	20.4	28
		LRA	41	54	67	83	95	109	148
Refrigerant suction line- Length/O.D. (Liq. Line All Lengths - 3/8" O.D.)	0-24 ft.	3/4"	3/4"	3/4"	3/4"	7/8"	7/8"	7/8"	
	25-39 ft.	3/4"	3/4"	3/4"	7/8" (3)	7/8"	7/8"	1-1/8" (4)	
	40-75 ft.	3/4"	3/4"	7/8" (3)	7/8" (3)	7/8"	1-1/8" (4)	1-1/8" (4)	
Refrigerant charge in ounces (Outdoor unit, Indoor Unit 15' Line Set)		93	126	144	155	248	248	268	
Weight Approximate (lbs.)	Net	166	171	190	204	252	276	285	
	Ship	175	180	200	215	265	290	300	

(1) Operating Voltage Range: 198v min. - 253v max.

(2) HACR type circuit breakers may be used.

(3) Requires 7/8" to 3/4" reducer from line to unit.

(4) Requires 1 1/8" to 7/8" reducer from line to unit.

Values shown are most severe and may vary slightly depending on the make of the compressor supplied.

Operating Voltage Range: 198v min. — 253v max.

HACR Type Circuit Breakers may be used.

ACCESSORIES - Condensing Unit

Start Assist Kit - 912933

Provides additional starting torque for the compressor motor when operating with low line voltage or high operating temperatures.

Thermostat

Two thermostats are available. Both are offered for two-stage heat and one-stage cool application.

912929 - Has choice of automatic/manual changeover.

912930 - Is manual changeover only.

Outdoor Thermostat - 913235

Two-stage logic provides ability to lock out electric strips down to balance point and bring on in stages.

Fan Delay Kit (TDR)

911758 - 80-second fan delay.

Liquid Line Solenoid (LLS) Kit - 912650

COPPER WIRE SIZE — AWG (1% Voltage Drop)				
Supply Wire Length-Feet				Supply Circuit
200	150	100	50	Ampacity
6	8	10	14	15
4	6	8	12	20
4	6	8	10	25
4	4	6	10	30
3	4	6	8	35
3	4	6	8	40
2	3	4	6	45
2	3	4	6	50

Wire Size based on N.E.C. for 60° type copper conductors.

SYSTEM HEATING & COOLING CAPACITIES

13 SEER — High Efficiency — Single Phase

Outdoor Unit	Indoor Unit With Air Handler	Indoor Unit With Coil	Cooling Capacity (Btu/h)	EER	SEER	HSPF	47F Capacity (Btu/h)	47F COP	17F Capacity (Btu/h)	17F COP	CFM
T5QD-018K	B5BM-T24K-B	C5(Q,B,D)(A,H)-T25(C,U)-B	18,000	12.4	13	8.0	17,800	3.5	9,600	2.3	600
T5(B,Q)D-024KA	B5BM-T25K-B	C5(Q,B,D)(A,H)-T25(C,U)-B	24,000	12.4	13	8.0	22,400	3.6	13,400	2.4	750
T5(B,Q)D-030KA	B5BM-T30K-B	C5(Q,B,D)(A,H)-T30(C,U)-B	29,000	12.1	13	8.0	28,600	3.4	17,700	2.5	870
T5(B,Q)D-036K	B5BM-T36K-B	C5(Q,B,D)(A,H)-T36(C,U)-B	35,400	11.7	13	8.0	36,000	3.6	22,000	2.5	1140
T5(B,Q)D-042K	B5BM-T42K-B	C5(Q,B,D)(A,H)-T43(C,U)-B	40,000	11.8	13	8.0	40,000	3.6	25,200	2.5	1350
T5(B,Q)D-048K	B5BM-T49K-C	C5B(A,H)-T49(C,U)-C	45,500	11.3	13	8.0	47,500	3.6	28,400	2.4	1500
T5(B,Q)D-060K	B5BM-T60K-C	C5B(A,H)-T60(C,U)-C	57,000	11.6	13	7.8	60,000	3.4	36,600	2.5	1600

M1 and M3

Ton	Outdoor Unit	Indoor TXV Coil + TDR	Coil Height	Coleman/Vexar Gas	Cooling Capacity (Btu/h)	SEER	EER	HSPF	47F Capacity (Btu/h)	17F Capacity (Btu/h)
1.5	T5BD-018K	C5(B,D,Q)A-T25U-B	19	same	18,000	13.0	12.4	8.0	17,800	9,600
2.0	T5(B,Q)D-024KA	C5(B,D,Q)A-T25U-B	19	same	24,000	13.0	12.4	8.0	22,400	13,400
2.5	T5(B,Q)D-030KA	C5(B,D,Q)A-T30U-B	19	same	29,000	13.0	12.1	8.0	28,600	17,700
3.0	T5(B,Q)D-036K	C5(B,D,Q)A-T36U-B	19	same	35,400	13.0	11.7	8.0	36,000	22,000
3.5	T5(B,Q)D-042K	CM(B,Q)X-53U	18.5	same	40,000	13.0	11.8	8.0	38,000	25,200
4.0	T5(B,Q)D-048K	CM(B,Q)X-54U*	18.5	same	44,500	13.0	11.3	8.0	45,000	28,400
5.0	T5(B,Q)D-060K	CM(B,Q)X-54U*	18.5	same	53,000	13.0	11.6	8.0	55,000	35,600

* Requires 5 ton blower on Med/High.

E3

Ton	Outdoor Unit	Indoor TXV Coil + TDR	Coil Height	Coleman/Vexar Electric	Cooling Capacity (Btu/h)	SEER	EER	HSPF	47F Capacity (Btu/h)	17F Capacity (Btu/h)
1.5	T5BD-018K	C5(B,D,Q)A-T25U-B	19	same	18,000	13.0	12.4	8.0	17,800	9,600
2.0	T5(B,Q)D-024KA	C5(B,D,Q)A-T25U-B	19	same	24,000	13.0	12.4	8.0	22,400	13,400
2.5	T5(B,Q)D-030KA	C5(B,D,Q)A-T30U-B	19	same	28,600	13.0	11.3	8.0	28,600	17,700
3.0	T5(B,Q)D-036K	C5(B,D,Q)A-T36/T37U-B	19/25	T36	35,800	13.0	11.7	8.0	36,000	22,000
3.5	T5(B,Q)D-042K	C5(B,D,Q)A-T43U-B	25	53U	40,000	13.0	11.8	8.0	40,000	25,200
4.0	T5(B,Q)D-048K	CM(B,Q)X-55U	20.5	54U	45,500	13.0	11.3	8.0	45,000	28,400
5.0	T5(B,Q)D-060K	CM(B,Q)X-55U*	20.5	54U	53,000	13.0	11.6	8.0	56,000	36,600

* Requires 5 ton blower on Med/High.

See current AHRI Directory for certified combinations and ratings.
www.ahridirectory.org

