

---

## TECHNICAL SPECIFICATIONS

---

### DS5(B,Q)D-KA Series High Efficiency Air Conditioner 13+ SEER Residential System 1.5 - 5 Ton Capacity

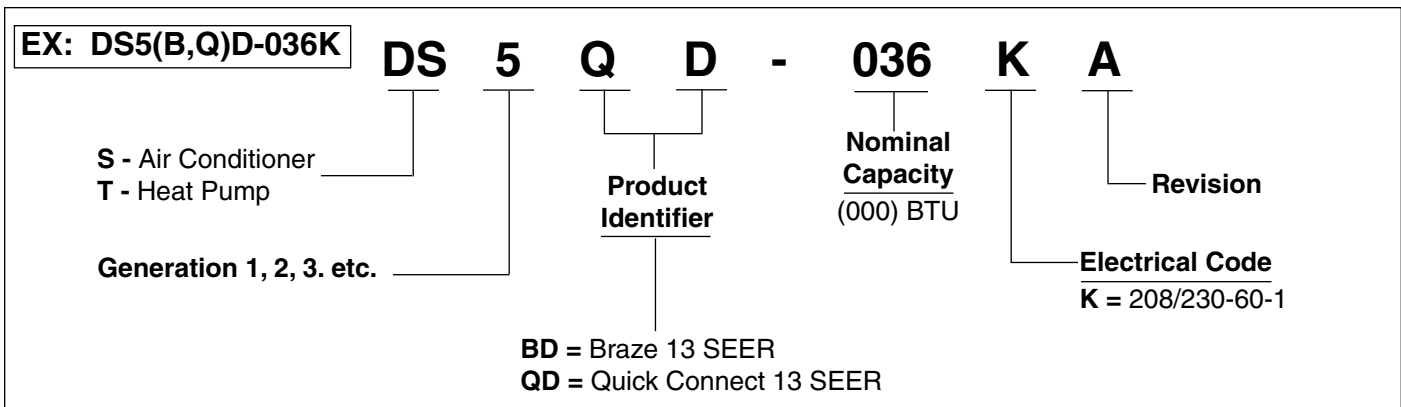
The DS5QD-KA Series of air conditioners offers exceptional performance. The unit, when combined with our matched indoor coils, offers a full line of quality, split-system air conditioning systems. units are ideally sized for manufactured housing applications.



### FEATURES and BENEFITS

- **Warranty** – The best in the industry
  - 1 year limited parts
  - 5 year compressor
  - 1 year mileage
  - 1 year labor
- **Permanently Lubricated Motor** – A heavy duty PSC motor for long lasting reliability and quiet operation. Requires no maintenance and is completely protected from rain and snow.
- **Removable Top Grille Assembly** – Allows ease of service from the top without disconnecting fan motor leads.
- **Composite Base Pan** – Absorbs sound and corrosion resistant. Composite is also stronger and lighter than steel.
- **One Piece Top/Orifice** – Designed for maximum airflow and quiet operation.
- **Easy Compressor and Control Access** – Designed to make servicing easier for the contractor, access panels are provided to all controls and the compressor from the side of the unit.
- **Compressor** – All models utilize quiet and efficient Copeland Scroll Compressors.
- **Durable, Attractive Cabinet** – Designed using galvanized steel with a polyurethane finish. the 950 hour salt spray finish is 1.5 mil thick and resists corrosion 50% better than comparable units.
- **Steel Guard™** – Protects the unit coil from being damaged by balls, lawn mowers, hail, etc.

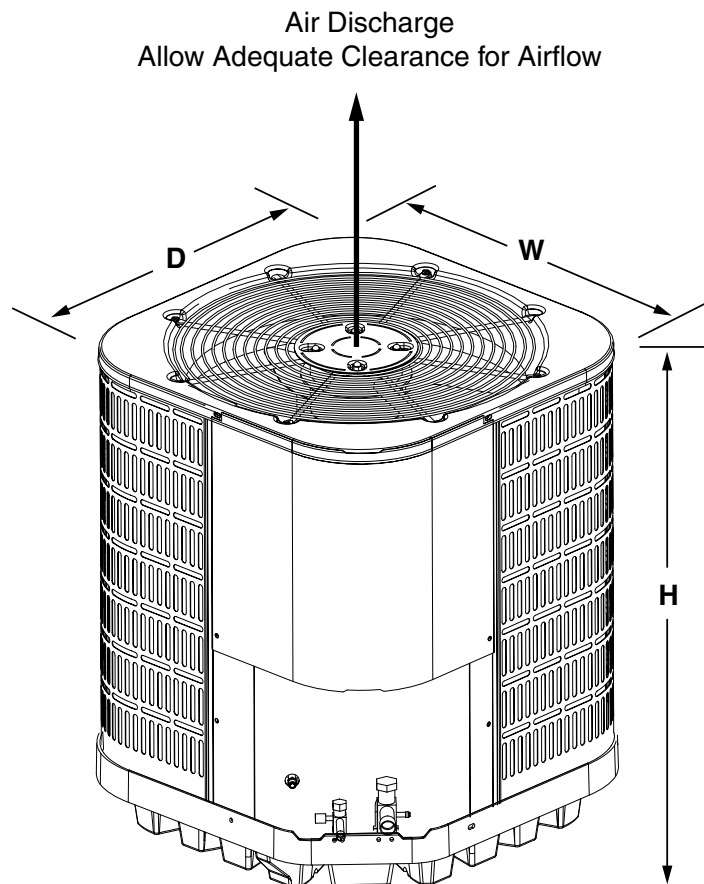
## MODEL IDENTIFICATION CODES



## DIMENSIONS

### AIR CONDITIONER OUTDOOR SECTION

DS5(B,Q)D	018K	024KB	030KB	036KB	042KA	048KA	060KA
H	23	23	27	27	31	31	43
W	22-3/4	22-3/4	23-3/4	23-3/4	30-3/4	30-3/4	30-3/4
D	22-3/4	22-3/4	22-3/4	22-3/4	30-3/4	30-3/4	30-3/4



# PHYSICAL AND ELECTRICAL SPECIFICATIONS / OUTDOOR UNITS

## 13 SEER — High Efficiency — Single Phase

Model Number DS5(B,Q)D-KA		018K	024KB	030KB	036KB	042KA	048KA	060KA	
Electrical Data	Volts-Cycles-Phase (1)	208/230-60-1	208/230-60-1	208/230-60-1	208/230-60-1	208/230-60-1	208/230-60-1	208/230-60-1	
	Total Amps	8.0	11.1	14.8	15.6	16.1	20.6	26.7	
	Delay Fuse Max. (2)	15	20	30	30	30	40	40	
	Min. Circuit Ampacity	10.0	13.7	18.3	19.2	19.8	25.4	33.0	
Component Data	Coil	Area	8.23	9.88	9.88	9.88	17.74	17.74	25.42
		Rows-FPI	1-22	1-18	1-18	1-18	1-22	1-22	1-22
		Tube Dia	3/8" O.D.	MC	MC	MC	3/8" O.D.	3/8" O.D.	3/8" O.D.
	Fan Motor	Type	PSC	PSC	PSC	PSC	PSC	PSC	PSC
		Amps	0.34	0.67	0.67	1.20	1.40	1.40	1.40
		HP	1/20	1/10	1/10	1/4	1/4	1/4	1/4
	Fan Blade	Dia-# Blades	18"-3	18"-3	18"-3	18"-3	24"-3	24"-3	24"-3
		SCFM	1410	1985	3000	3000	4000	4000	4000
	Compressor Data	RLA	7.7	10.4	14.1	14.4	14.7	19.2	25.3
		LRA	40	54	68	77	77	97	141
Refrigerant suction line- Length/O.D. (Liq. Line All Lengths - 3/8" O.D.)	0-24 ft.	3/4"	3/4"	3/4"	3/4"	7/8" (3)	7/8" (3)	7/8" (3)	
	25-39 ft.	3/4"	3/4"	7/8" (3)	7/8" (3)	7/8" (3)	7/8" (3)	1-1/8" (4)	
	40-75 ft.	3/4"	3/4"	7/8" (3)	7/8" (3)	7/8" (3)	1-1/8" (4)	1-1/8" (4)	
Refrigerant charge in ounces (Outdoor unit, Indoor Unit 15' Line Set)		78	88	99	110	122	126	160	
Weight Approximate (lbs.)	Net	103	112	105	105	156	176	229	
	Ship	107	117	109	109	162	183	238	

(1) Operating Voltage Range: 198v min. - 253v max.

(2) HACR type circuit breakers may be used.

(3) Requires 7/8" to 3/4" reducer from line to unit.

(4) Requires 1 1/8" to 7/8" reducer from line to unit.

Values shown are most severe and may vary slightly depending on the make of the compressor supplied.

Operating Voltage Range: 198v min. — 253v max.

HACR Type Circuit Breakers may be used.

## ACCESSORIES - Condensing Unit

### Start Assist Kit - 912933

Provides additional starting torque for the compressor motor when operating with low line voltage or high operating temperatures.

### Fan Delay Kit (TDR)

911758 - 80-second fan delay.

### Insulated Pre-Charged Line Sets

A line set consists of a liquid line, an insulated suction line, service gaugeports, and the quick-connect coupling. 15, 20, 25, 30, 40, and 50 ft. lengths are available. Lines are factory pre-charged such that no additional refrigerant charge is required on matched systems.

COPPER WIRE SIZE — AWG (1% Voltage Drop)				
Supply Wire Length-Feet				Supply Circuit
200	150	100	50	Ampacity
6	8	10	14	15
4	6	8	12	20
4	6	8	10	25
4	4	6	10	30
3	4	6	8	35
3	4	6	8	40
2	3	4	6	45
2	3	4	6	50

Wire Size based on N.E.C. for 60° type copper conductors.

# SYSTEM HEATING & COOLING CAPACITIES

## 13 SEER — High Efficiency — Single Phase

Outdoor Unit	Indoor TXV Coil + TDR	Cooling Capacity (Btu/h)	SEER	EER	SCFM
S5BD-018KA	C5(Q,D,B)A-T25U-B	17,700	13.0	11.8	525
S5(B,Q)D-024KA	C5(Q,D,B)A-T25U-B	24,000	13.0	11.8	700
S5(B,Q)D-030KA	C5(Q,D,B)A-T30U-B	28,600	13.0	11.3	890
S5(B,Q)D-036KA	C5(Q,D,B)A-T37U-B	35,800	13.0	11.4	1,080
S5(B,Q)D-042KA	C5(Q,D,B)A-T43U-B	40,000	13.0	11.9	1,400
S5(B,Q)D-048KA	C5B(A,H)-T49(C,U)-C	47,500	13.0	11.9	1,400
S5(B,Q)D-060KA	C5B(A,H)-T60(C,U)-C	57,000	13.0	11.2	1,600

### M1 and M3

Ton	Outdoor Unit	Indoor TXV Coil + TDR	Coil Height	Coleman/Vexar Gas	Cooling Capacity (Btu/h)	SEER	EER
1.5	S5BD-018KA	C5(B,D,Q)A-T25U-B	19	same	17,700	13.0	11.8
2.0	S5(B,Q)D-024KA	C5(B,D,Q)A-T25U-B	19	same	24,000	13.0	11.8
2.5	S5(B,Q)D-030KA	C5(B,D,Q)A-T30U-B	19	same	28,600	13.0	11.3
3.0	S5(B,Q)D-036KA	CM(B,Q)X-36U	18.5	same	35,600	13.0	11.0
3.5	S5(B,Q)D-042KA	CM(B,Q)X-42U	18.5	same	39,500	13.0	11.0
4.0	S5(B,Q)D-048KA	CM(B,Q)X-53U	18.5	same	46,000	13.0	11.0
5.0	S5(B,Q)D-060KA	CM(B,Q)X-53U*	18.5	same	52,000	13.0	11.0

\* Requires 5 ton blower on Med/High.

### E3

Ton	Outdoor Unit	Indoor TXV Coil + TDR	Coil Height	Coleman/Vexar Gas	Cooling Capacity (Btu/h)	SEER	EER
1.5	S5BD-018KA	C5(B,D,Q)A-T25U-B	19	same	17,700	13.0	11.8
2.0	S5(B,Q)D-024KA	C5(B,D,Q)A-T25U-B	19	same	24,000	13.0	11.8
2.5	S5(B,Q)D-030KA	C5(B,D,Q)A-T30U-B	19	same	28,600	13.0	11.3
3.0	S5(B,Q)D-036KA	C5(B,D,Q)A-T37U-B	25	42U	35,800	13.0	11.4
3.5	S5(B,Q)D-042KA	C5(B,D,Q)A-T43U-B	25	42U	40,000	13.0	11.9
4.0	S5(B,Q)D-048KA	CM(B,Q)X-53U	18.5	53U	47,500	13.0	11.9
5.0	S5(B,Q)D-060KA	CM(B,Q)X-53U*	18.5	53U	52,000	13.0	11.0
5.0	S5(B,Q)D-060KA	CM(B,Q)X-53U*	20.5	N/A	53,000	13.0	11.0

\* Requires 5 ton blower on Med/High.

See current AHRI Directory for certified combinations and ratings.  
[www.ahridirectory.org](http://www.ahridirectory.org)

