

TECHNICAL SPECIFICATIONS

Q95RD Series

Single Packaged Heat Pump, Single Phase

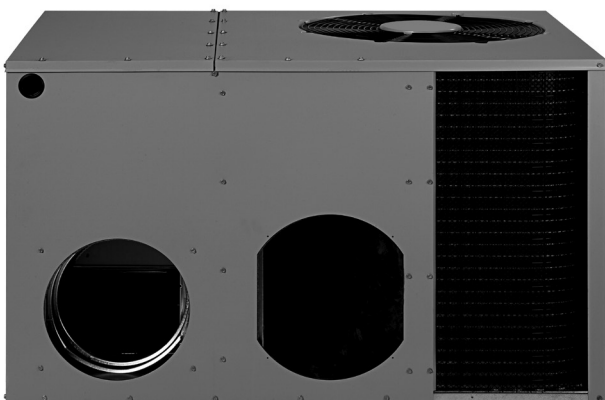
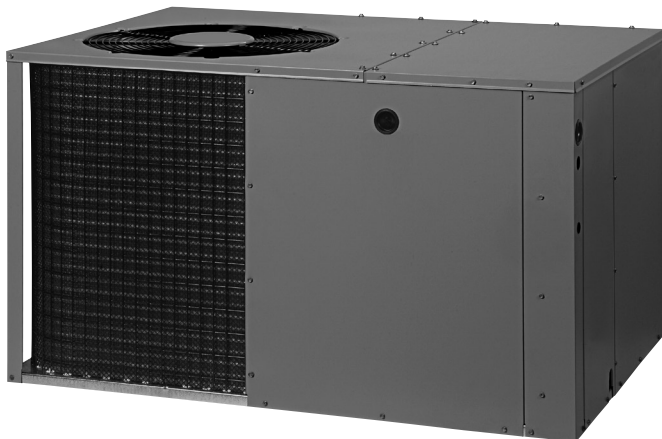
13.4 SEER2, 6.7 HSPF2

2 thru 5 Ton Units

Cooling: 23,600 to 55,500 Btuh

Heating: 23,800 to 58,500 Btuh

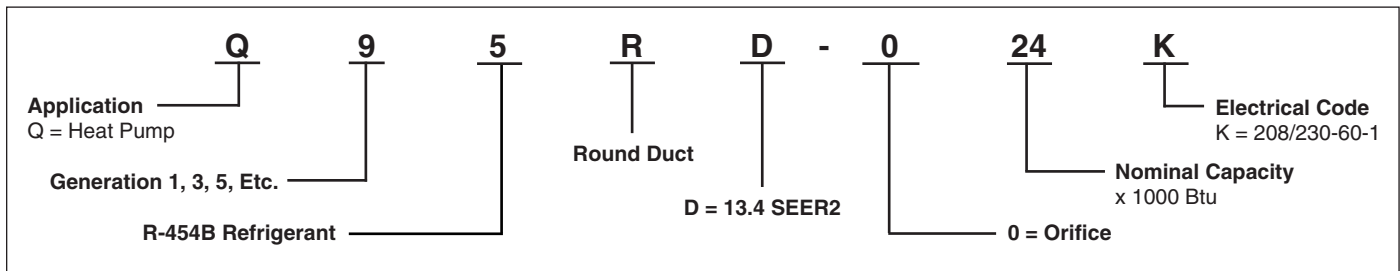
The Q95 Series single packaged heat pumps are high efficiency self contained cooling and heating units that can be installed on a slab or on a roof. Units are ETL and ETLc listed.



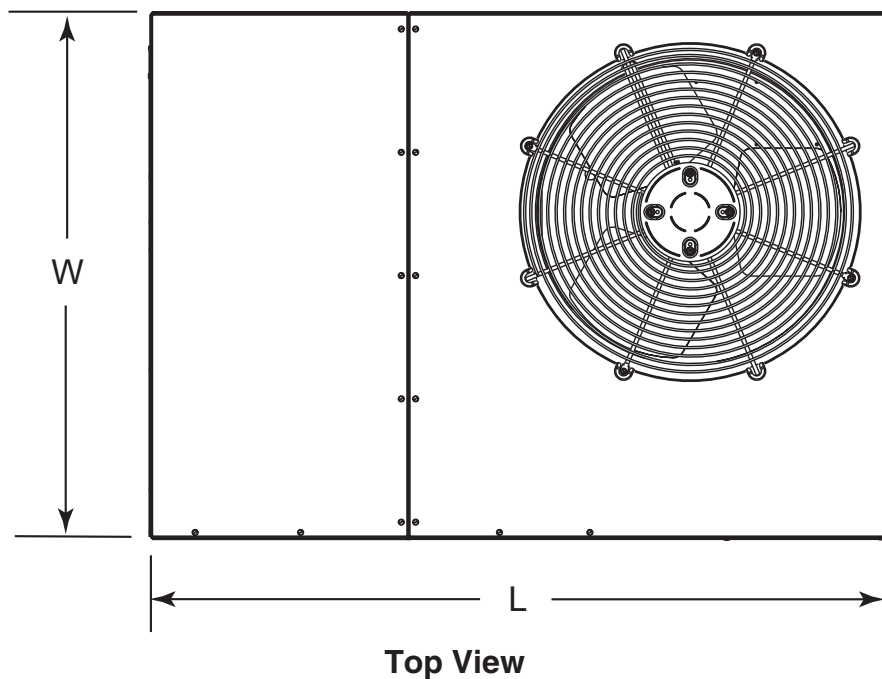
FEATURES and BENEFITS

- **Energy-efficient R-454B Refrigerant**
- **First in Industry Patented Hot Gas Defrost:** Ensures complete, worry-free defrost.
- **Quality Compressor:** State of the art scroll compressor is standard on all models.
- **Hi/Low Pressure Switches:** Ensure long compressor life.
- **All Aluminum Coils:** Provides high corrosion resistance, lower refrigerant volume.
- **Designed Using Galvanized Steel:** With a polyester urethane coat finish. The finish passes 950 hours of salt spray per ASTM Std. B117.
- **Compact Footprint and Profile:** Make the Q95 Series easy to transport and install.
- **0" Clearance:** To combustibles on duct side of the unit allows for installations in tight areas.
- **Wire Guard Powder Coated and Plastic Mesh Hail Guard:** A guard that will never rust and protects the unit's coil from being damaged.
- **Raised Base Pan:** Allows water to drain away from the unit.
- **Easy Compressor and Control Access:** Designed to make servicing easier for the contractor, access panels are provided to all controls and the compressor from the side of the unit.
- **Easy Access:** To the evaporator coil and blower assembly for cleaning and general maintenance.
- **Removable Top Grille Assembly:** Allows ease of service to the fan motor.
- **Five Minute Restart Time Delay:** When the units shuts down, a five minute delay keeps the unit from restarting, eliminating the highest cause of compressor failure.
- **Liquid Line Filter Drier:** Factory installed at a convenient location for service.
- **Accessible Service Valves:** Simplify servicing of the refrigeration system.
- **Suction Accumulator:** Provides protection from liquid flood back and future compressor failures.
- **Permanently Lubricated Condenser Motor:** A heavy duty PSC motor for long lasting reliability and quiet operation.
- **Low Voltage Transformer:** Includes 3 Amp fuse to protect low voltage circuit.
- **Drain Trap Included:** Design optimizes drainage capabilities.
- **Optional Electric Heat:** Field installed 5 – 20 KW.

MODEL IDENTIFICATION CODE



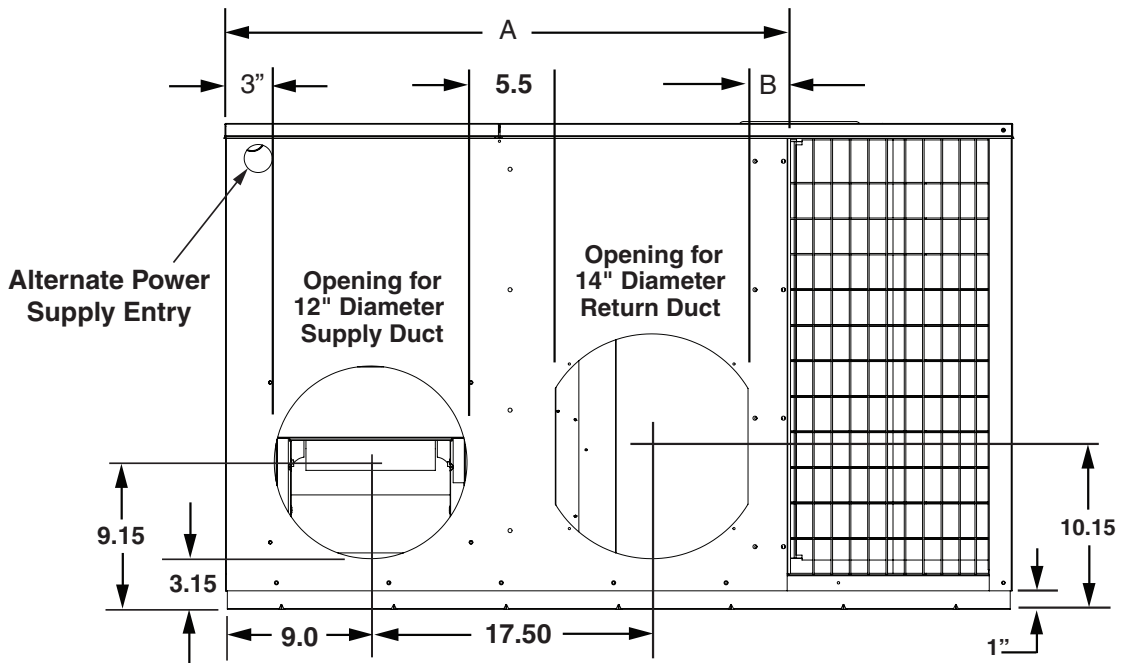
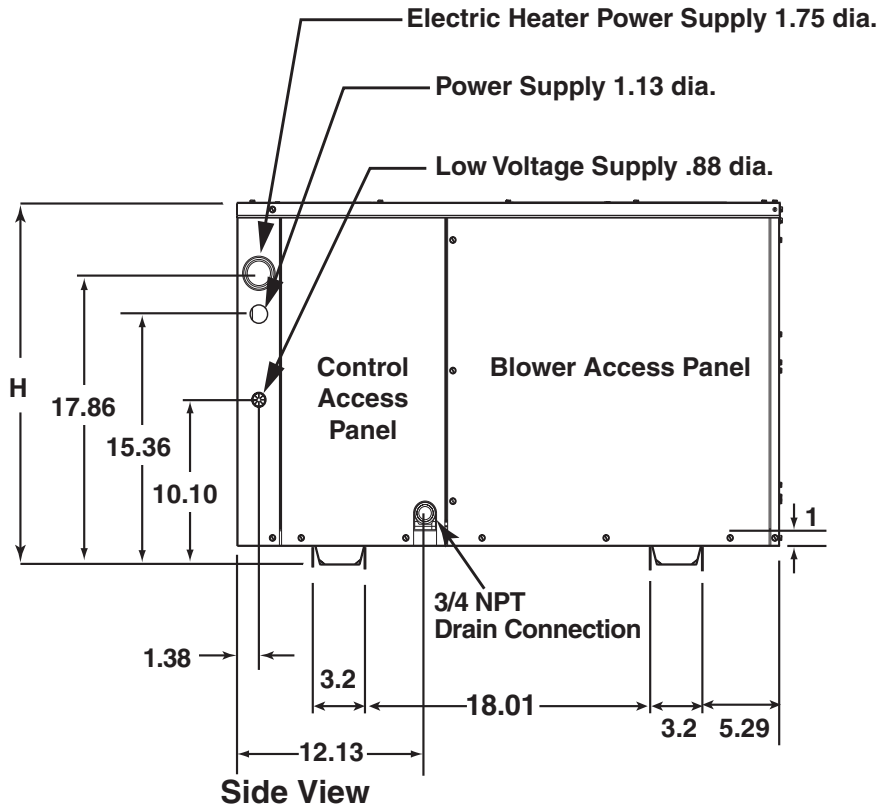
DIMENSIONS (all in lbs. and inches)



| Model Number Q95RD | Shipping Weight | (L) Length | (W) Width | (H) Height |
|-----------------------|-----------------|---------------|--------------|---------------|
| 024K | 280 | 49 | 35 | 30.2 |
| 030K | 281 | 49 | 35 | 30.2 |
| 036K | 300 | 49 | 35 | 30.2 |
| 042K | 348 | 63 | 35 | 38.2 |
| 048K | 370 | 63 | 35 | 38.2 |
| 060K | 382 | 63 | 35 | 38.2 |

DIMENSIONS Continued (all in inches)

| Model Number Q95RD- | Return Diameter | Supply Diameter |
|------------------------|-----------------|-----------------|
| 024K | 14 | 12 |
| 030K | 14 | 12 |
| 036K | 14 | 12 |
| 042K | 14 | 12 |
| 048K | 14 | 12 |
| 060K | 14 | 12 |



Back (Duct) View (2-5 Ton)

PHYSICAL SPECIFICATIONS

Q95RD Models

| Model No. Q95RD | | 024K | 030K | 036K | 042K | 048K | 060K |
|----------------------------------|--------------------------|-----------|--------|--------|--------|--------|--------|
| Performance Data | Cooling Btu/h | 23,600 | 28,600 | 34,200 | 41,000 | 46,000 | 55,500 |
| | SEER2 | 13.4 | 13.4 | 13.4 | 13.4 | 13.4 | 13.4 |
| | EER2-A | 10.6 | 10.6 | 10.6 | 10.6 | 10.6 | 10.6 |
| | Heating Btu/h | 23,800 | 29,400 | 32,800 | 40,000 | 46,000 | 58,500 |
| | HSPF2 | 6.7 | 6.7 | 6.7 | 6.7 | 6.7 | 6.7 |
| | Sound Ratings Cooling | 75.6 | 74.2 | 76.7 | 76.9 | 75.3 | 75.4 |
| | Sound Ratings Heating | 76.5 | 75.5 | 77.3 | 79.1 | 76.2 | 76.5 |
| Electrical Data | Volts-Cycles-Phase (1) | 60 Hz | | | | | |
| | Operating Voltage Range | 187 - 253 | | | | | |
| | Delay Fuse - Maximum (2) | 25 | 30 | 35 | 45 | 50 | 60 |
| | Minimum Circuit Ampacity | 16.1 | 20.5 | 23.7 | 29.4 | 31.0 | 39.0 |
| Compressor Data | LRA | 63.0 | 67.0 | 82.5 | 95.0 | 102.0 | 148.0 |
| Fan Motor | HP | 1/8 | 1/8 | 1/4 | 1/4 | 1/4 | 1/2 |
| Blower Motor | HP | 1/2 | 1/2 | 3/4 | 3/4 | 3/4 | 1 |
| R454B Refrigerant Charge | Oz. | 61.8 | 64.0 | 62.4 | 67.2 | 92.0 | 92.0 |
| Approximate Weight (lbs.) | Shipping | 280 | 281 | 300 | 348 | 370 | 382 |

(1) Operating Voltage Range: 187v min. - 253v max. Amperage and wire size based on refrigeration system only. See electrical data tables for supplemental electric heaters.

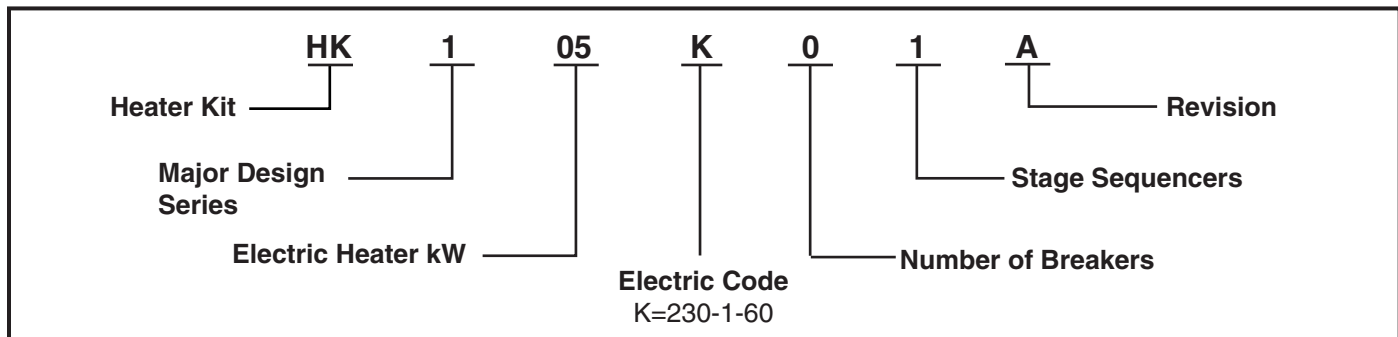
Rated for 10,000 ft maximum elevation.

ELECTRICAL DATA

| Model (*)Q95RD, Single Phase, 208/230V~ | | | | | | | | | |
|---|-----------|----------------|---------|---|-------|-----------------------|-------|-----------------------|-------|
| Model | Heater kW | Single Circuit | | Multiple Circuit | | | | | |
| | | MCA | MOP | Circuit A (Compressor, Blower & Fan) | | Circuit B (Heater) | | Circuit C (Heater) | |
| | | | | MCA | MOP | MCA | MOP | MCA | MOP |
| (*)Q95RD-024K | 0 | 16.1 | 25 | | | | | | |
| | 5 | 37.8/40.1 | 40/45 | | | | | | |
| | 8 | 50.4/54 | 60/60 | | | | | | |
| | 10 | 59.4/64 | 60/70 | 16.1/16.1 | 25/25 | 43.3/47.9 | 45/50 | | |
| | 15 | 81.1/88 | 90/90 | 37.8/40.1 | 40/45 | 43.3/47.9 | 45/50 | | |
| (*)Q95RD-030K | 0 | 20.5 | 30 | | | | | | |
| | 5 | 42.2/44.5 | 50/50 | | | | | | |
| | 8 | 54.8/58.4 | 60/60 | | | | | | |
| | 10 | 63.8/68.4 | 70/70 | 20.5/20.5 | 30/30 | 43.3/47.9 | 45/50 | | |
| | 15 | 85.5/92.4 | 90/100 | 42.2/44.5 | 50/50 | 43.3/47.9 | 45/50 | | |
| (*)Q95RD-036K | 0 | 23.7 | 35 | | | | | | |
| | 5 | 45.3/47.6 | 50/50 | | | | | | |
| | 8 | 58/61.6 | 60/70 | 23.7/23.7 | 35/35 | 34.3/37.9 | 35/40 | | |
| | 10 | 67/71.6 | 70/80 | 23.7/23.7 | 35/35 | 43.3/47.9 | 45/50 | | |
| | 15 | 88.7/95.5 | 90/100 | 45.3/47.6 | 50/50 | 43.3/47.9 | 45/50 | | |
| (*)Q95RD-042K | 0 | 29.4 | 45 | | | | | | |
| | 5 | 51.1/53.4 | 60/60 | | | | | | |
| | 8 | 63.7/67.4 | 70/70 | 29.4/29.4 | 45/45 | 34.3/37.9 | 35/40 | | |
| | 10 | 72.8/77.3 | 80/80 | 29.4/29.4 | 45/45 | 43.3/47.9 | 45/50 | | |
| | 15 | 94.4/101.3 | 100/110 | 51.1/53.4 | 60/60 | 43.3/47.9 | 45/50 | | |
| | 20 | 116.1/125.3 | 125/150 | 29.4/29.4 | 45/45 | 43.3/47.9 | 45/50 | 43.3/47.9 | 45/50 |
| (*)Q95RD-048K | 0 | 31.0 | 50 | | | | | | |
| | 5 | 52.7/55 | 60/60 | 31.0/31.0 | 50/50 | 21.7/24 | 25/25 | | |
| | 8 | 65.3/69 | 70/80 | 31.0/31.0 | 50/50 | 34.3/37.9 | 35/40 | | |
| | 10 | 74.4/78.9 | 80/80 | 31.0/31.0 | 50/50 | 43.3/47.9 | 45/50 | | |
| | 15 | 96/102.9 | 100/110 | 31.0/31.0 | 50/50 | 43.3/47.9 | 45/50 | 21.7/24 | 25/25 |
| | 20 | 117.7/126.9 | 125/150 | 31.0/31.0 | 50/50 | 43.3/47.9 | 45/50 | 43.3/47.9 | 45/50 |
| (*)Q95RD-060K | 0 | 39.0 | 60 | | | | | | |
| | 5 | 60.6/62.9 | 70/80 | 39.0/39.0 | 60/60 | 21.7/24 | 25/25 | | |
| | 8 | 73.3/76.9 | 80/90 | 39.0/39.0 | 60/60 | 34.3/37.9 | 35/40 | | |
| | 10 | 82.3/86.9 | 90/90 | 39.0/39.0 | 60/60 | 43.3/47.9 | 45/50 | | |
| | 15 | 104/110.8 | 110/125 | 39.0/39.0 | 60/60 | 43.3/47.9 | 45/50 | 21.7/24 | 25/25 |
| | 20 | 125.6/134.8 | 150/150 | 39.0/39.0 | 60/60 | 43.3/47.9 | 45/50 | 43.3/47.9 | 45/50 |

Table 4. (*)Q95RD, Single Phase

HEATER KIT MODEL IDENTIFICATION CODE



| Heater Kit Cross Reference for Model (*)Q94RD and (*)Q95RD | | | | |
|--|-------------------------|------------|------------------|------------------------|
| Models | Tonnage and Phase | Nominal KW | Heater Kit Model | Heater Kit Part Number |
| (*)Q94RD-024K (*)Q95RD-024K | 2 Ton Single Phase | 5 | HK1-05K-01A | 1049196A |
| | | 8 | HK1-08K-01A | 1049197A |
| | | 10 | HK1-10K-01A | 1049198A |
| | | 15 | HK1-15K-01A | 1049199A |
| (*)Q94RD-030K (*)Q95RD-030K | 2.5 Ton Single Phase | 5 | HK1-05K-01A | 1049196A |
| | | 8 | HK1-08K-01A | 1049197A |
| | | 10 | HK1-10K-01A | 1049198A |
| | | 15 | HK1-15K-01A | 1049199A |
| (*)Q94RD-036K (*)Q95RD-036K | 3 Ton Single Phase | 5 | HK1-05K-01A | 1049196A |
| | | 8 | HK1-08K-01A | 1049197A |
| | | 10 | HK1-10K-01A | 1049198A |
| | | 15 | HK1-15K-01A | 1049199A |
| (*)Q94RD-042K (*)Q95RD-042K | 3.5 Ton Single Phase | 5 | HK1-05K-01A | 1049196A |
| | | 8 | HK1-08K-01A | 1049197A |
| | | 10 | HK1-10K-01A | 1049198A |
| | | 15 | HK1-15K-01A | 1049199A |
| | | 20 | HK1-20K-21A | 1049201A |
| (*)Q94RD-048K (*)Q95RD-048K | 4 Ton Single Phase | 5 | HK1-05K-01A | 1049196A |
| | | 8 | HK1-08K-01A | 1049197A |
| | | 10 | HK1-10K-01A | 1049198A |
| | | 15 | HK1-15K-21A | 1049200A |
| | | 20 | HK1-20K-21A | 1049201A |
| (*)Q94RD-060K (*)Q95RD-060K | 5 Ton Single Phase | 5 | HK1-05K-01A | 1049196A |
| | | 8 | HK1-08K-01A | 1049197A |
| | | 10 | HK1-10K-01A | 1049198A |
| | | 15 | HK1-15K-21A | 1049200A |
| | | 20 | HK1-20K-21A | 1049201A |

Table 5. (*)Q94RD and (*)Q95RD Single Phase

ACCESSORIES

| Description | Part Number |
|---------------------------------------|-------------|
| 4-Pole single circuit adaptor | 913350 |
| Circuit Breaker Single Phase (2-pole) | 913554 |
| Duct collars - 12" | 250101R |
| Duct collars - 14" | 250102R |
| High Wind Kit | 1013934 |

AIR FLOW DATA

| HEAT RISE DATA (Based on Nominal 10kw Electric Heat Kit) | | | | | | | | | | | | | | | | | |
|--|----------------|-------|-----------|-------|-----------|-------|-----------|-------|-----------|-------|-----------|-------|-----------|-------|-----------|-------|-----------|
| Q95 RD Unit | BLOWER SETTING | 0.1 | | 0.2 | | 0.3 | | 0.4 | | 0.5 | | 0.6 | | 0.7 | | 0.8 | |
| | | CFM | HEAT RISE | CFM | HEAT RISE | CFM | HEAT RISE | CFM | HEAT RISE | CFM | HEAT RISE | CFM | HEAT RISE | CFM | HEAT RISE | CFM | HEAT RISE |
| | | 24K | Tap T1 | 1,009 | 31 | 951 | 33 | 910 | 35 | 856 | 37 | 797 | 40 | 725 | 44 | 660 | 48 |
| Tap T2* | 1,063 | | 30 | 1,009 | 31 | 966 | 33 | 914 | 35 | 858 | 37 | 792 | 40 | 727 | 43 | 668 | 47 |
| Tap T3** | 1,198 | | 26 | 1,154 | 27 | 1,107 | 29 | 1,059 | 30 | 1,010 | 31 | 959 | 33 | 895 | 35 | 827 | 38 |
| Tap T4 | 1,290 | | 24 | 1,242 | 25 | 1,197 | 26 | 1,150 | 27 | 1,102 | 29 | 1,049 | 30 | 1,003 | 31 | 939 | 34 |
| Tap T5 | 1,425 | | 22 | 1,383 | 23 | 1,334 | 24 | 1,287 | 25 | 1,246 | 25 | 1,194 | 26 | 1,149 | 27 | 1,092 | 29 |
| 30K | Tap T1 | 1,009 | 31 | 951 | 33 | 910 | 35 | 856 | 37 | 797 | 40 | 725 | 44 | 660 | 48 | 605 | 52 |
| | Tap T2** | 1,146 | 28 | 1,102 | 29 | 1,049 | 30 | 1,004 | 31 | 955 | 33 | 898 | 35 | 829 | 38 | 761 | 42 |
| | Tap T3* | 1,290 | 24 | 1,242 | 25 | 1,197 | 26 | 1,150 | 27 | 1,102 | 29 | 1,049 | 30 | 1,003 | 31 | 939 | 34 |
| | Tap T4 | 1,397 | 23 | 1,353 | 23 | 1,306 | 24 | 1,262 | 25 | 1,213 | 26 | 1,168 | 27 | 1,120 | 28 | 1,060 | 30 |
| | Tap T5 | 1,546 | 20 | 1,505 | 21 | 1,467 | 22 | 1,417 | 22 | 1,366 | 23 | 1,320 | 24 | 1,272 | 25 | 1,223 | 26 |
| 36K | Tap T1 | 1,146 | 28 | 1,107 | 29 | 1,056 | 30 | 1,004 | 31 | 960 | 33 | 910 | 35 | 842 | 38 | 782 | 40 |
| | Tap T2** | 1,269 | 25 | 1,232 | 26 | 1,197 | 26 | 1,146 | 28 | 1,098 | 29 | 1,056 | 30 | 993 | 32 | 932 | 34 |
| | Tap T3 | 1,400 | 23 | 1,363 | 23 | 1,316 | 24 | 1,276 | 25 | 1,229 | 26 | 1,191 | 27 | 1,142 | 28 | 1,087 | 29 |
| | Tap T3* | 1,464 | 22 | 1,425 | 22 | 1,380 | 23 | 1,341 | 24 | 1,296 | 24 | 1,256 | 25 | 1,209 | 26 | 1,158 | 27 |
| | Tap T5 | 1,612 | 20 | 1,571 | 20 | 1,530 | 21 | 1,492 | 21 | 1,453 | 22 | 1,409 | 22 | 1,364 | 23 | 1,322 | 24 |
| 42K | Tap T1 | 1,384 | 23 | 1,343 | 24 | 1,308 | 24 | 1,268 | 25 | 1,216 | 26 | 1,183 | 27 | 1,137 | 28 | 1,091 | 29 |
| | Tap T2* | 1,568 | 20 | 1,528 | 21 | 1,499 | 21 | 1,449 | 22 | 1,415 | 22 | 1,379 | 23 | 1,340 | 24 | 1,292 | 24 |
| | Tap T3** | 1,730 | 18 | 1,698 | 19 | 1,663 | 19 | 1,620 | 20 | 1,575 | 20 | 1,541 | 21 | 1,502 | 21 | 1,458 | 22 |
| | Tap T4 | 1,897 | 17 | 1,861 | 17 | 1,837 | 17 | 1,796 | 18 | 1,756 | 18 | 1,718 | 18 | 1,673 | 19 | 1,631 | 19 |
| | Tap T5 | 2,094 | 15 | 2,059 | 15 | 2,029 | 16 | 1,993 | 16 | 1,961 | 16 | 1,922 | 16 | 1,878 | 17 | 1,829 | 17 |
| 48K | Tap T1 | 1,474 | 21 | 1,417 | 22 | 1,379 | 23 | 1,344 | 24 | 1,304 | 24 | 1,266 | 25 | 1,230 | 26 | 1,184 | 27 |
| | Tap T2** | 1,590 | 20 | 1,559 | 20 | 1,519 | 21 | 1,467 | 22 | 1,439 | 22 | 1,396 | 23 | 1,360 | 23 | 1,320 | 24 |
| | Tap T3 | 1,749 | 18 | 1,711 | 18 | 1,665 | 19 | 1,633 | 19 | 1,589 | 20 | 1,551 | 20 | 1,514 | 21 | 1,476 | 21 |
| | Tap T2* | 1,913 | 17 | 1,873 | 17 | 1,835 | 17 | 1,802 | 18 | 1,760 | 18 | 1,718 | 18 | 1,688 | 19 | 1,643 | 19 |
| | Tap T5 | 2,097 | 15 | 2,052 | 15 | 2,016 | 16 | 1,980 | 16 | 1,939 | 16 | 1,894 | 17 | 1,856 | 17 | 1,814 | 17 |
| 60K | Tap T1 | 1,455 | 22 | 1,412 | 22 | 1,362 | 23 | 1,323 | 24 | 1,277 | 25 | 1,238 | 26 | 1,188 | 27 | 1,160 | 27 |
| | Tap T2** | 1,668 | 19 | 1,627 | 19 | 1,599 | 20 | 1,558 | 20 | 1,521 | 21 | 1,478 | 21 | 1,444 | 22 | 1,405 | 22 |
| | Tap T3 | 1,854 | 17 | 1,809 | 17 | 1,783 | 18 | 1,745 | 18 | 1,707 | 19 | 1,667 | 19 | 1,629 | 19 | 1,593 | 20 |
| | Tap T2* | 2,008 | 16 | 1,976 | 16 | 1,939 | 16 | 1,904 | 17 | 1,875 | 17 | 1,833 | 17 | 1,801 | 18 | 1,760 | 18 |
| | Tap T5 | 2,174 | 15 | 2,133 | 15 | 2,101 | 15 | 2,066 | 15 | 2,038 | 16 | 2,002 | 16 | 1,969 | 16 | 1,932 | 16 |

* Denotes factory set COOL speed

** Denotes factory set electric HEAT speed

Temperature rises shaded gray are for reference only. These conditions are not recommended.

Heat rise

$$\text{Btu/h} = \text{CFM} \times \Delta T \times 1.08$$

$$\Delta T = (\text{Btu/h}) / (\text{CFM} \times 1.08)$$

| Conversion | |
|---------------|--------|
| KW/h to Btu/h | 3412.1 |
| KW/h | Btu/h |
| 5 | 17061 |
| 8 | 27297 |
| 10 | 34121 |
| 15 | 51182 |
| 20 | 68243 |

HEAT PUMP HEATING EXPANDED RATINGS (CONTINUED)

Q95RD-048K

| | | OUTDOOR TEMPERATURE (Deg. F) | | | | | | | | | | | | | | | | | | | | | | | | | | |
|------|-----------|------------------------------|------|------|------|------|------|------|------|------|------|------|------|------|------|------|------|------|------|------|------|------|------|------|------|------|------|------|
| | Indoor T. | 5 | | | 10 | | | 17 | | | 20 | | | 30 | | | 40 | | | 47 | | | 50 | | | 60 | | |
| CFM | Deg.F | MBH | COP | K.W. | MBH | COP | K.W. | MBH | COP | K.W. | MBH | COP | K.W. | MBH | COP | K.W. | MBH | COP | K.W. | MBH | COP | K.W. | MBH | COP | K.W. | MBH | COP | K.W. |
| 1470 | 60 | 22.1 | 2.19 | 2.96 | 24.7 | 2.52 | 2.87 | 28.2 | 2.92 | 2.84 | 30.0 | 3.07 | 2.86 | 36.1 | 3.54 | 2.99 | 42.9 | 3.99 | 3.15 | 48.5 | 4.31 | 3.29 | 50.7 | 4.42 | 3.36 | 59.0 | 4.82 | 3.59 |
| | 70 | 20.7 | 1.91 | 3.17 | 23.3 | 2.18 | 3.13 | 27.1 | 2.52 | 3.15 | 28.9 | 2.66 | 3.18 | 35.0 | 3.06 | 3.36 | 41.7 | 3.37 | 3.63 | 47.2 | 3.58 | 3.87 | 49.3 | 3.63 | 3.98 | 57.6 | 3.97 | 4.25 |
| | 80 | 20.7 | 1.91 | 3.17 | 23.3 | 2.18 | 3.13 | 27.1 | 2.52 | 3.15 | 28.9 | 2.66 | 3.18 | 33.3 | 2.70 | 3.62 | 39.8 | 2.96 | 3.94 | 45.3 | 3.18 | 4.17 | 47.2 | 3.22 | 4.30 | 55.7 | 3.49 | 4.67 |
| 1620 | 60 | 22.3 | 2.16 | 3.02 | 24.9 | 2.50 | 2.92 | 28.5 | 2.92 | 2.86 | 30.3 | 3.09 | 2.88 | 36.4 | 3.57 | 2.99 | 43.2 | 4.03 | 3.14 | 48.9 | 4.37 | 3.29 | 51.1 | 4.48 | 3.34 | 59.4 | 4.85 | 3.59 |
| | 70 | 20.8 | 1.89 | 3.22 | 23.5 | 2.16 | 3.19 | 27.1 | 2.48 | 3.20 | 29.0 | 2.63 | 3.23 | 35.2 | 3.03 | 3.40 | 41.9 | 3.34 | 3.68 | 47.4 | 3.55 | 3.91 | 49.4 | 3.60 | 4.02 | 57.8 | 3.95 | 4.29 |
| | 80 | 20.8 | 1.89 | 3.22 | 23.5 | 2.16 | 3.19 | 25.5 | 2.18 | 3.43 | 27.3 | 2.31 | 3.47 | 33.3 | 2.65 | 3.68 | 39.9 | 2.94 | 3.99 | 45.4 | 3.16 | 4.22 | 47.4 | 3.20 | 4.35 | 55.9 | 3.50 | 4.68 |
| 1770 | 60 | 22.4 | 2.14 | 3.08 | 25.0 | 2.47 | 2.97 | 28.7 | 2.89 | 2.91 | 30.5 | 3.07 | 2.91 | 36.7 | 3.58 | 3.00 | 43.6 | 4.04 | 3.16 | 49.1 | 4.35 | 3.31 | 51.3 | 4.45 | 3.37 | 59.6 | 4.82 | 3.62 |
| | 70 | 21.0 | 1.87 | 3.28 | 23.6 | 2.13 | 3.25 | 27.4 | 2.46 | 3.26 | 29.2 | 2.60 | 3.29 | 35.3 | 2.99 | 3.46 | 42.0 | 3.30 | 3.73 | 47.6 | 3.51 | 3.97 | 49.6 | 3.57 | 4.08 | 57.9 | 3.92 | 4.34 |
| | 80 | 21.0 | 1.87 | 3.28 | 22.0 | 1.87 | 3.44 | 25.7 | 2.16 | 3.49 | 27.4 | 2.28 | 3.53 | 33.5 | 2.63 | 3.73 | 40.1 | 2.91 | 4.05 | 45.6 | 3.12 | 4.28 | 47.6 | 3.17 | 4.40 | 56.1 | 3.48 | 4.73 |

Q95RD-060K

| | | OUTDOOR TEMPERATURE (Deg. F) | | | | | | | | | | | | | | | | | | | | | | | | | | |
|------|-----------|------------------------------|------|------|------|------|------|------|------|------|------|------|------|------|------|------|------|------|------|------|------|------|------|------|------|------|------|------|
| | Indoor T. | 5 | | | 10 | | | 17 | | | 20 | | | 30 | | | 40 | | | 47 | | | 50 | | | 60 | | |
| CFM | Deg.F | MBH | COP | K.W. | MBH | COP | K.W. | MBH | COP | K.W. | MBH | COP | K.W. | MBH | COP | K.W. | MBH | COP | K.W. | MBH | COP | K.W. | MBH | COP | K.W. | MBH | COP | K.W. |
| 1500 | 60 | 29.8 | 2.48 | 3.51 | 32.2 | 2.67 | 3.54 | 35.8 | 2.90 | 3.62 | 37.7 | 3.01 | 3.67 | 44.6 | 3.37 | 3.87 | 52.2 | 3.71 | 4.13 | 58.9 | 4.06 | 4.25 | 61.7 | 4.15 | 4.36 | 71.6 | 4.43 | 4.74 |
| | 70 | 28.7 | 2.18 | 3.86 | 31.2 | 2.34 | 3.91 | 35.1 | 2.56 | 4.01 | 37.1 | 2.67 | 4.07 | 44.0 | 2.99 | 4.32 | 52.2 | 3.29 | 4.65 | 58.6 | 3.52 | 4.89 | 61.1 | 3.61 | 4.97 | 71.4 | 3.79 | 5.52 |
| | 80 | 27.5 | 1.92 | 4.20 | 30.1 | 2.07 | 4.26 | 34.0 | 2.28 | 4.38 | 35.8 | 2.36 | 4.45 | 42.4 | 2.64 | 4.71 | 50.2 | 2.90 | 5.08 | 56.5 | 3.05 | 5.43 | 59.1 | 3.10 | 5.59 | 68.5 | 3.33 | 6.03 |
| 1700 | 60 | 29.9 | 2.47 | 3.54 | 32.6 | 2.71 | 3.53 | 36.1 | 2.95 | 3.59 | 38.1 | 3.07 | 3.64 | 45.1 | 3.46 | 3.82 | 52.8 | 3.82 | 4.06 | 59.6 | 4.19 | 4.17 | 62.0 | 4.28 | 4.24 | 72.6 | 4.63 | 4.60 |
| | 70 | 29.0 | 2.20 | 3.87 | 31.7 | 2.38 | 3.91 | 35.5 | 2.60 | 3.99 | 37.4 | 2.71 | 4.05 | 44.6 | 3.06 | 4.27 | 52.6 | 3.38 | 4.57 | 59.4 | 3.64 | 4.78 | 61.7 | 3.70 | 4.88 | 72.0 | 3.92 | 5.39 |
| | 80 | 27.7 | 1.93 | 4.20 | 30.4 | 2.10 | 4.25 | 34.2 | 2.30 | 4.35 | 36.1 | 2.40 | 4.41 | 43.2 | 2.71 | 4.67 | 50.8 | 2.98 | 5.00 | 57.0 | 3.15 | 5.30 | 59.8 | 3.26 | 5.37 | 69.2 | 3.49 | 5.82 |
| 1900 | 60 | 30.3 | 2.48 | 3.59 | 32.8 | 2.72 | 3.54 | 36.6 | 2.98 | 3.60 | 38.6 | 3.11 | 3.64 | 45.4 | 3.50 | 3.80 | 53.7 | 3.90 | 4.03 | 60.3 | 4.28 | 4.12 | 62.6 | 4.37 | 4.19 | 73.1 | 4.75 | 4.51 |
| | 70 | 29.3 | 2.19 | 3.92 | 31.8 | 2.38 | 3.93 | 35.8 | 2.62 | 4.00 | 37.8 | 2.73 | 4.05 | 45.1 | 3.10 | 4.26 | 53.1 | 3.41 | 4.56 | 59.9 | 3.68 | 4.77 | 62.7 | 3.76 | 4.89 | 72.9 | 3.98 | 5.37 |
| | 80 | 28.2 | 1.95 | 4.23 | 30.7 | 2.10 | 4.27 | 34.6 | 2.32 | 4.37 | 36.6 | 2.42 | 4.42 | 43.4 | 2.74 | 4.64 | 51.2 | 3.03 | 4.96 | 57.7 | 3.20 | 5.28 | 60.5 | 3.33 | 5.32 | 70.2 | 3.56 | 5.78 |



GENERAL TERMS OF LIMITED WARRANTY

Nordyne, LLC will furnish a replacement for any part of this product which fails in normal use and service within the terms and conditions of the warranty.

For complete details of the Limited Warranty, including applicable terms and conditions, see your local installer or contact the Nordyne, LLC warranty department for a copy.

Before purchasing this appliance, read important energy cost and efficiency information available from your retailer. Specifications and illustrations subject to change without notice and without incurring obligations. Printed in U.S.A. (10/24)