

TECHNICAL SPECIFICATIONS

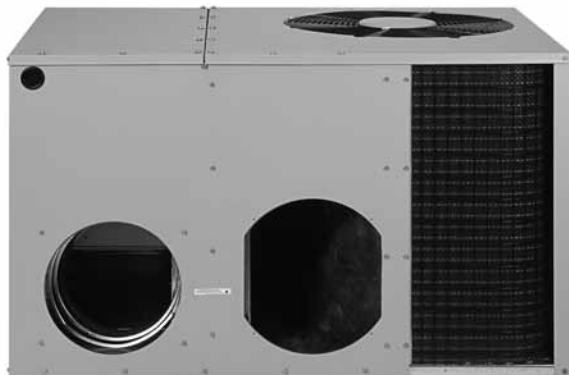
P5RF Series Rev "A"

Single Packaged Air Conditioner Single Phase

15 SEER, 12 EER, R-410A
2 thru 5 Ton Units

Cooling: 24,000 to 57,500 Btuh

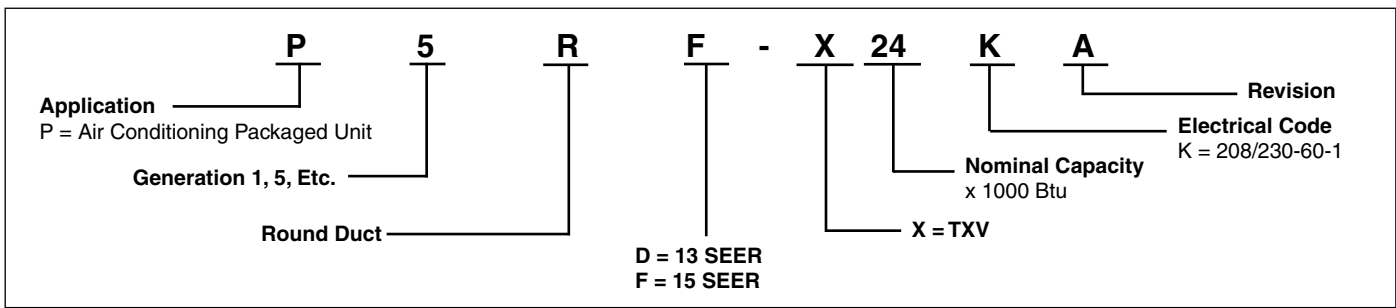
The P5 Series single packaged air conditioners are high efficiency self contained cooling and heating units that can be installed on a slab. Units are ETL and ETLc listed.



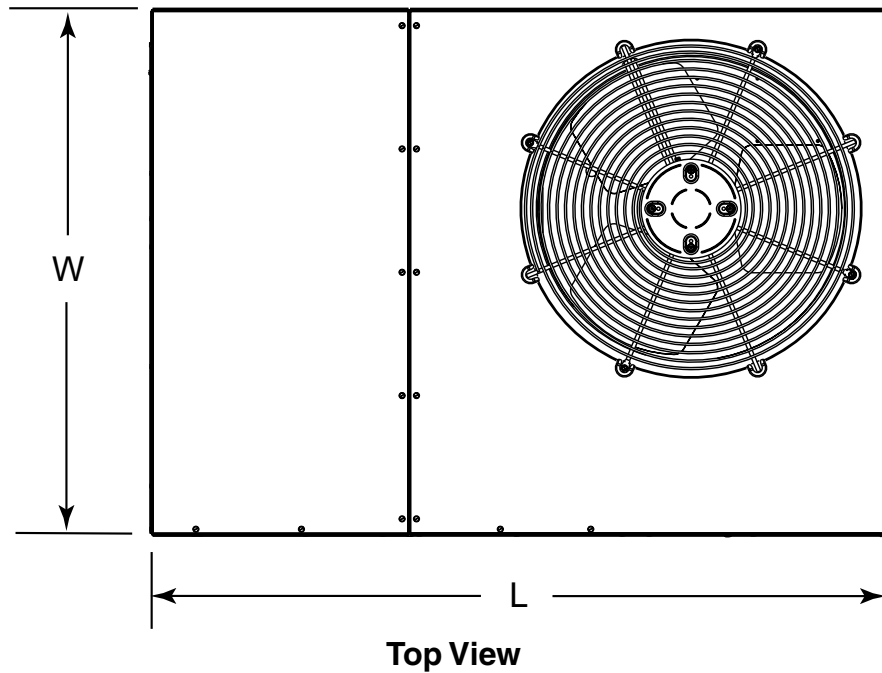
FEATURES and BENEFITS

- **State-of-the-art Copeland Ultra-Tech II Scroll compressor:** Provides two stage heat/cool.
- **R-410A Refrigerant:** Environmentally friendly.
- **Designed using galvanized steel:** With a polyester urethane coat finish. The 950 hours salt spray finish resists corrosion 50% better than comparable units.
- **Both indoor and outdoor coils:** Are designed to optimize heat transfer, minimize size and cost, and increase durability and reliability.
- **The service valves are easily accessible:** And simplify servicing of the refrigeration system.
- **Wire guard coated with Earth Friendly Epoxy and mesh hail guard that will never rust:** Protects the coil from being damaged by balls, lawnmowers, hail, etc.
- **Designed to make servicing easier:** For the contractor, access panels are provided to all major components.
- **0" clearance:** To combustibles on duct side of the unit allows for installations in tight areas.
- **Easy access:** To evaporator for cleaning and general maintenance.
- **Drain trap:** Design optimizes drain-age capabilities.
- **Easy to install:** Electric heat strip provides up to 20 kw of heat output.
- **Compact footprint and profile:** Make the P5 Series easy to install and transport.
- **High and Low Pressure Switches:** Added compressor protection.
- **Compressor sound blanket:** Is standard.
- **Energy efficient:** Brushless DC (ECM) blower motor.
- **Quiet operation and low vibration** swept-wing for blade combined with custom V enturi condenser fan.
- **Protected distributor tubes** Both indoor and outdoor coils include very high abrasive resistant fiberglass sleeves to prevent leaks from the tubing rubbing together.

MODEL IDENTIFICATION CODE



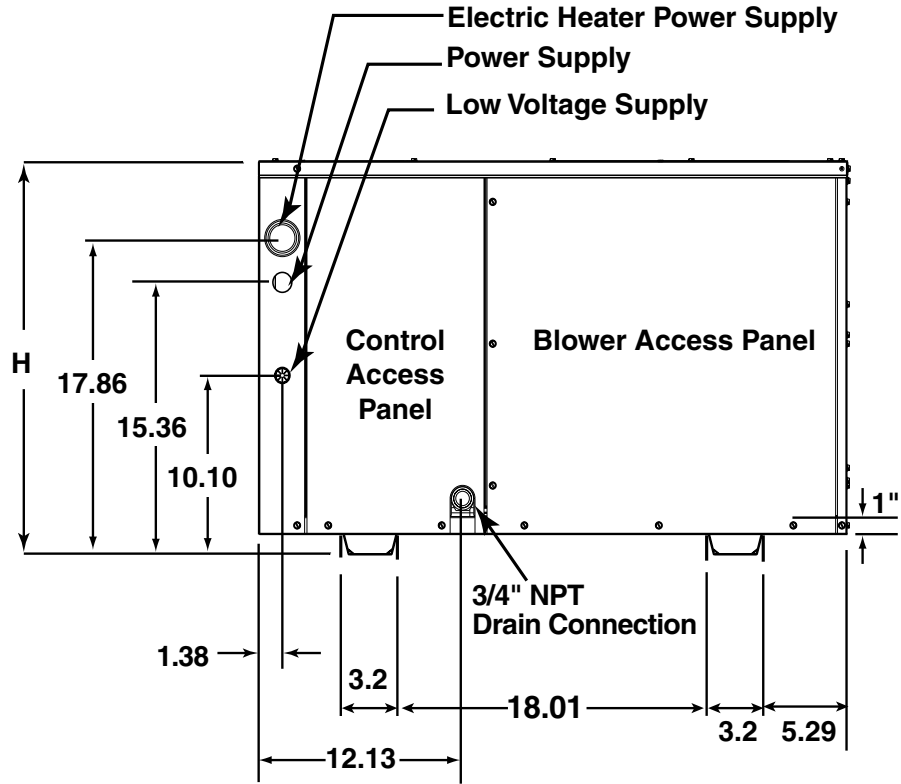
DIMENSIONS



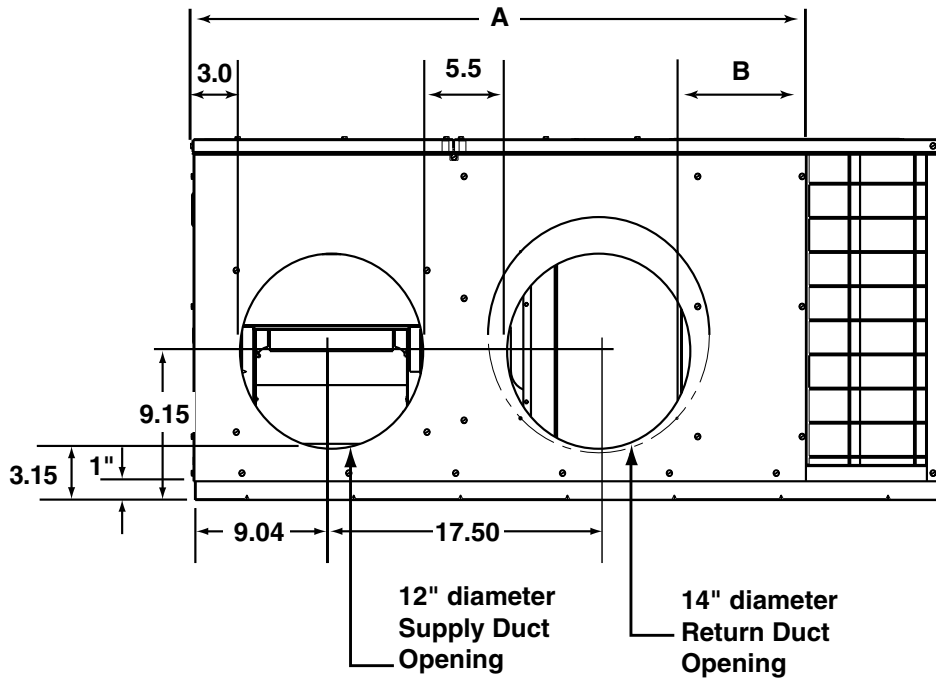
Model No. P5RF-	(L) Length	(W) Width	(H) Height	A	B
X24KA	49	35	30.2	35.02	2.48
X36KA	49	35	30.2	35.02	2.48
X48KA	49	35	38.2	35.02	2.48
X60KA	63	35	38.2	35.02	2.48

Model No. P5RF-	Return Diameter (in)	Supply Diameter (in)
X24KA	14	12
X36KA	14	12
X48KA	14	12
X60KA	14	12

DIMENSIONS Continued

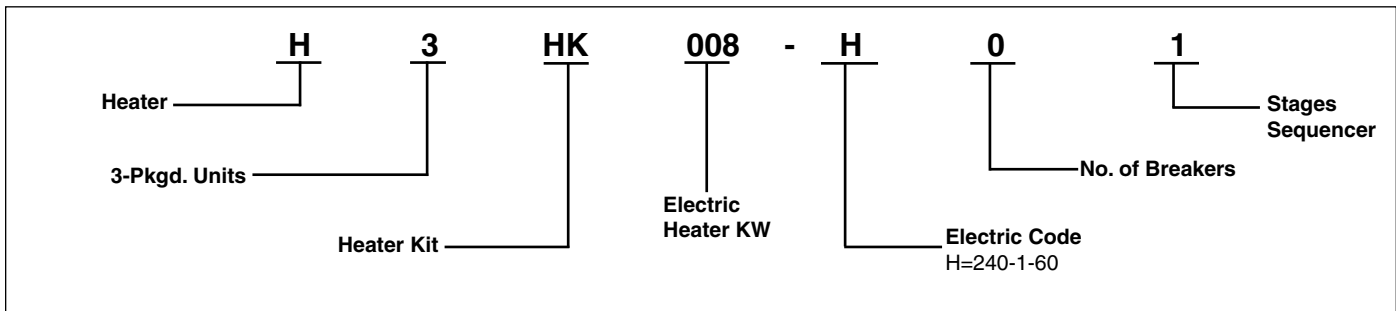


Side View



Back (Duct) View

MODEL IDENTIFICATION CODE



PHYSICAL SPECIFICATIONS

P5RF Models

Model No. P5RF-KA	X24KA	X36KA	X48KA	X60KA
System Cooling Capacities				
Cooling Btuh	24,000	35,400	47,500	57,500
SEER	15	15	15	15
EER	12	12	12	12
Electric Rating - 60Hz (a)				
Operating Voltage Range	187 - 253	187 - 253	187 - 253	187 - 253
Min. Circuit Ampacity (a)	18.1	26.1	37.7	40.1
Field Wire Size - AWG (a)	12	10	8	8
Delay Fuse - Max. (b)	25	40	50	60
Total Unit - Amps FLA	15.5	21.9	32.4	34.3
Compressor Data				
Volts	208 - 230	208 - 230	208 - 230	208 - 230
Rated Load Amps	11.7	15.3	21.2	28.8
Lock Rotor Amps	58	83	106	152
Fan Motor and Condenser				
Fan Motor - HP - RPM	1/5 - 1100	1/4 - 1100	1/2 - 1100	1/2 - 1100
Fan Motor - Amps	1.2	1.2	5.3	5.3
Fan Diameter / CFM	20" - 2800	20" - 2800	20" - 3400	24" - 4000
Motor and Evaporator				
Blower Motor - HP - ECM	1/2	1/2	3/4	3/4
Blower Motor - Amps	3.8	3.8	5.4	5.4
CFM @ E.S.P. - in. W.C.	800 @ .30	1000 @ .30	1500 @ .30	1700 @ .30
Refrigerant Charge R-410A - Oz.				
	128	131	171	240
Shipping weight - lbs.				
	299	303	380	416
Sound Rating				
	73	75	75	77

(a) Amperage and wire size based on refrigeration system only. See Electrical Data tables for supplemental electric heaters. Refer to National Electric Code for additional derating factors for field installed conductors.

(b) Use time delay fuse or "HACR" type circuit breaker.

ELECTRICAL DATA

P5RF-KA SERIES							
MODEL	HEATER KW	SINGLE CIRCUIT		MULTIPLE SUPPLY CIRCUIT OPTION			
		MCA	MOP	CIRCUIT A (COMPRESSOR, BLOWER, & FAN)		CIRCUIT B (HEATER)	
				MCA	MOP	MCA	MOP
P5RF-X24K	0	19.4	30	-	-	-	-
	5	29.8	30	-	-	-	-
	8	44.3	45	-	-	-	-
	10	54.8	60	-	-	-	-
P5RF-X36K	0	24.1	35	-	-	-	-
	5	29.8	35	-	-	-	-
	8	44.3	45	-	-	-	-
	10	54.8	60	-	-	-	-
	15	79.8	80	54.8	60	25	30
P5RF-X48K	0	35.7	50	-	-	-	-
	5	35.7	50	-	-	-	-
	8	46.3	50	-	-	-	-
	10	56.8	60	-	-	-	-
	15	81.8	90	56.8	60	25	30
	20	106.8	110	56.8	60	50	60
P5RF-X60K	0	45.2	60	-	-	-	-
	5	45.2	60	-	-	-	-
	8	46.3	60	-	-	-	-
	10	56.8	60	-	-	-	-
	15	81.8	90	56.8	60	25	30
	20	106.8	110	56.8	60	50	60

ACCESSORIES

Heater Application Matrix

Model Number P5RF-	H3HK-005H-01B 917166B	H3HK-008H-01B 917167B	H3HK-010H-01B 917168B	H3HK-015H-01B 917169B	H3HK-020H-01B 917170B	H3HK-015H-21B 917172B	H3HK-020H-21B 917173B
X24KA	X	X	X	NA	NA	NA	NA
X36KA	X	X	X	X(2)	NA	X	NA
X48KA	X	X	X	X(2)	X(2)	X	X
X60KA	X	X	X	X(2)	X(2)	X	X

NA = Not Approved.

() = Number of internal circuit breaker kits required.

X = Branch circuit protection only.

Accessories

Description	Part Number
4-Pole single circuit adaptor	913350
6-Pole single circuit adaptor	913556
Circuit Breaker Single Phase (2-pole)	913554
Extreme High Wind Kit - Ground Mount	920908
Duct Collar - 12"	917701
Duct Collar - 14"	917702

BLOWER PERFORMANCE

P5RF - KA Series Blower Curves Small Package Units

Model Number P5RF-KA		External Static Pressure Drop - inches water column								
		0.1	0.2	0.3	0.4	0.5	0.6	0.7	0.8	
X24KA	*	Tap T1	625	591	526	445				
		Tap T2	772	735	693	632	562	491		
	**	Tap T3	899	870	844	797	736	670	597	540
	***	Tap T4	1085	1044	1015	984	948	887	841	777
		Tap T5	1227	1179	1146	1114	1086	1058	1011	951
X36KA	*	Tap T1	905	833	785	630	589	560	515	
		Tap T2	1136	1093	1052	1012	967	922	867	825
	**	Tap T3	1170	1133	1085	1050	1014	970	933	890
	***	Tap T4	1485	1450	1405	1378	1340	1300	1264	1230
		Tap T5	1608	1570	1535	1505	1470	1425	1375	1320
X48KA	*	Tap T1	1035	994	965	914	878	838	778	735
		Tap T2	1215	1185	1136	1087	1055	1012	965	915
	***	Tap T3	1568	1536	1501	1465	1428	1390	1352	1316
	**	Tap T4	1862	1820	1791	1751	1722	1681	1648	1610
		Tap T5	1944	1917	1880	1843	1810	1773	1735	1696
X60KA	*	Tap T1	1172	1120	1077	1045	985	933	895	860
		Tap T2	1187	1160	1119	1084	1043	987	935	897
	***	Tap T3	1692	1655	1604	1587	1452	1506	1465	1420
		Tap T4	1785	1744	1705	1667	1635	1584	1546	1505
	**	Tap T5	1875	1833	1800	1762	1734	1698	1658	1625

* Denotes Factory Set Low Cooling Speed

** Denotes Factory Set High Cooling Speed

*** Denotes Factory Set Electric Heating Speed

COPPER WIRE SIZE – AWG (1% Voltage Drop)				
Supply Wire Length-Feet				Supply Circuit Ampacity
200	150	100	50	
6	8	10	14	15
4	6	8	12	20
4	6	8	10	25
4	4	6	10	30
3	4	6	8	35
3	4	6	8	40
2	3	4	6	45
2	3	4	6	50

Wire Size based on N.E.C. for 60° type copper conductors.

COOLING EXPANDED RATINGS

P5RF-X24KA HIGH SPEED - COOLING -

O.D.T			65 °F			75 °F			85 °F			95 °F			105 °F			115 °F		
CFM	E.D.B.	E.W.B.	T.C.	S.C.	K.W.	T.C.	S.C.	K.W.	T.C.	S.C.	K.W.	T.C.	S.C.	K.W.	T.C.	S.C.	K.W.	T.C.	S.C.	K.W.
700	80	62	26.4	20.6	1.3	25.5	20.6	1.43	24.4	20.9	1.57	23.3	20.6	1.73	22	21.5	1.91	20.7	20.3	2.13
	80	67	28.7	19.2	1.31	27.7	18.9	1.44	26.6	18.6	1.58	25.3	18.2	1.73	23.9	17.7	1.91	22.3	16.0	2.13
	80	72	31.3	13.1	1.32	30.2	13.1	1.45	29.0	13.4	1.59	27.6	13.2	1.74	26.0	13.0	1.92	24.3	13.2	2.14
	75	63	26.7	16.8	1.3	25.8	16.7	1.44	24.8	16.9	1.57	23.6	16.6	1.73	22.2	15.2	1.91	20.8	16.4	2.13
800	80	62	27.2	22.5	1.3	26.2	23.2	1.44	25.2	22.8	1.58	24.0	22.4	1.73	22.9	22.0	1.91	21.6	21.4	2.13
	80	67	29.4	20.6	1.31	28.4	20.5	1.44	27.2	20.0	1.58	25.9	19.6	1.74	24.4	19.2	1.91	22.8	18.7	2.13
	80	72	32.0	14.0	1.32	30.9	14.7	1.46	29.6	14.3	1.59	28.1	14.2	1.75	26.5	14.3	1.93	24.7	14.3	2.14
	75	63	27.5	18.1	1.31	26.5	18.6	1.44	25.4	18.2	1.58	24.1	18.0	1.73	22.7	18.0	1.91	21.2	17.9	2.13
900	80	62	27.9	24.6	1.31	27.0	24.8	1.44	26.0	23.9	1.58	24.9	23.4	1.73	23.7	22.8	1.91	22.4	22.2	2.13
	80	67	30.0	22.1	1.32	28.9	21.9	1.45	27.7	21.4	1.59	26.3	21.0	1.74	24.8	20.6	1.92	23.1	20.1	2.13
	80	72	32.5	15.1	1.33	31.4	15.5	1.46	30.1	15.1	1.59	28.6	15.2	1.75	26.8	15.1	1.92	25.0	15.3	2.14
	75	63	28.0	19.6	1.31	27.0	19.9	1.44	25.9	19.5	1.58	24.6	19.4	1.73	23.2	19.2	1.91	21.6	19.3	2.13

P5RF-X24KA LOW SPEED - COOLING -

O.D.T			65 °F			75 °F			85 °F			95 °F			105 °F			115 °F		
CFM	E.D.B.	E.W.B.	T.C.	S.C.	K.W.	T.C.	S.C.	K.W.	T.C.	S.C.	K.W.	T.C.	S.C.	K.W.	T.C.	S.C.	K.W.	T.C.	S.C.	K.W.
550	80	62	19.2	16.0	0.89	18.7	16.0	1.00	18.0	16.0	1.13	17.0	15.8	1.28	16.0	15.8	1.44	15.0	14.8	1.63
	80	67	21.3	15.2	0.87	20.7	15.0	0.89	19.8	14.8	1.11	18.7	14.3	1.26	17.5	13.9	1.42	16.2	12.5	1.61
	80	72	21.8	9.6	0.93	20.9	9.5	1.05	19.9	9.7	1.20	18.8	9.4	1.35	17.5	9.1	1.54	16.2	9.2	1.75
	75	63	19.4	12.6	0.89	18.9	12.6	1.00	18.1	12.7	1.13	17.1	12.4	1.28	16.0	11.2	1.44	14.8	12.1	1.63
650	80	62	20.0	17.8	0.89	19.5	18.2	0.99	18.8	17.5	1.12	17.9	16.9	1.27	16.9	16.3	1.43	15.8	15.7	1.62
	80	67	22.1	17.2	0.87	21.4	17.1	0.97	20.5	16.7	1.10	19.4	16.3	1.25	18.1	15.9	1.42	16.8	15.5	1.61
	80	72	22.1	10.2	0.93	21.4	10.7	1.04	20.4	10.3	1.18	19.2	10.1	1.35	17.9	10.0	1.54	16.5	9.9	1.75
	75	63	20.1	13.8	0.89	19.5	14.2	0.99	18.7	13.9	1.12	17.6	13.7	1.27	16.5	13.6	1.44	15.2	13.5	1.62
750	80	62	20.9	19.0	0.88	20.3	19.0	0.99	19.6	18.3	1.11	18.7	17.7	1.26	17.6	17.0	1.42	16.5	16.4	1.61
	80	67	22.7	19.2	0.86	22.0	19.0	0.97	21.0	18.6	1.09	19.9	18.3	1.25	18.6	17.8	1.41	17.2	17.2	1.60
	80	72	22.6	11.1	0.92	21.8	11.3	1.04	20.8	10.9	1.18	19.6	10.8	1.34	18.2	10.6	1.53	16.8	10.4	1.74
	75	63	20.6	15.2	0.88	20.0	15.5	0.99	19.1	15.1	1.12	18.0	15.0	1.26	16.8	14.8	1.43	15.6	14.7	1.62

P5RF-X36KA HIGH SPEED - COOLING -

O.D.T			65 °F			75 °F			85 °F			95 °F			105 °F			115 °F		
CFM	E.D.B.	E.W.B.	T.C.	S.C.	K.W.	T.C.	S.C.	K.W.	T.C.	S.C.	K.W.	T.C.	S.C.	K.W.	T.C.	S.C.	K.W.	T.C.	S.C.	K.W.
900	80	62	37.1	28.1	2.09	35.7	27.9	2.27	34.2	28.1	2.47	32.6	27.6	2.72	30.7	29.2	3.01	28.7	27.2	3.35
	80	67	40.3	25.7	2.13	38.8	25.2	2.3	37.2	24.9	2.5	35.4	24.2	2.74	33.4	23.5	3.04	31.1	21.2	3.37
	80	72	44.1	17.9	2.17	42.4	17.9	2.33	40.7	18.3	2.54	38.7	17.9	2.78	36.5	17.6	3.06	34	17.9	3.39
	75	63	37.6	22.7	2.1	36.1	22.5	2.27	34.7	22.7	2.48	33	22.2	2.73	31.1	20.3	3.02	29	21.9	3.35
1050	80	62	38.4	30.9	2.1	36.9	31.6	2.28	35.4	30.9	2.48	33.7	30.6	2.73	31.8	30.4	3.02	29.9	29.6	3.36
	80	67	41.5	27.7	2.14	40	27.6	2.31	38.3	26.9	2.51	36.4	26.3	2.75	34.3	25.7	3.04	31.9	25.1	3.37
	80	72	45.3	19.2	2.19	43.6	20.1	2.35	41.8	19.6	2.55	39.7	19.4	2.78	37.3	19.5	3.07	34.7	19.5	3.4
	75	63	38.8	24.6	2.11	37.3	25.2	2.28	35.7	24.6	2.49	34	24.3	2.73	32	24.2	3.03	29.8	24	3.36
1200	80	62	39.5	34.1	2.12	38	34.3	2.29	36.4	33.6	2.49	34.8	33	2.74	33.1	32	3.03	31.1	31	3.37
	80	67	42.6	29.9	2.16	40.9	29.6	2.32	39.2	28.9	2.52	37.2	28.4	2.76	35	27.7	3.05	32.6	27.1	3.38
	80	72	46.2	20.9	2.2	44.4	21.4	2.35	42.5	20.8	2.55	40.3	20.9	2.79	37.8	20.7	3.08	35.2	20.8	3.4
	75	63	39.8	26.8	2.13	38.2	27.1	2.29	36.6	26.4	2.5	34.8	26.3	2.74	32.7	26	3.03	30.4	26	3.37

P5RF-X36KA LOW SPEED - COOLING -

O.D.T			65 °F			75 °F			85 °F			95 °F			105 °F			115 °F		
CFM	E.D.B.	E.W.B.	T.C.	S.C.	K.W.	T.C.	S.C.	K.W.	T.C.	S.C.	K.W.	T.C.	S.C.	K.W.	T.C.	S.C.	K.W.	T.C.	S.C.	K.W.
550	80	62	33.7	24.7	1.63	32.4	24.5	1.88	30.8	24.5	2.15	29.0	23.9	2.45	27.0	25.3	2.79	24.8	23.3	3.16
	80	67	36.9	22.8	1.62	35.6	22.4	1.86	33.9	22.0	2.14	31.9	21.2	2.44	29.8	20.5	2.78	27.4	18.0	3.15
	80	72	40.7	16.1	1.60	39.1	16.1	1.84	37.4	16.4	2.12	35.4	15.9	2.43	33.0	15.5	2.76	30.5	15.7	3.14
	75	63	34.3	20.1	1.63	33.0	19.9	1.88	31.3	20.0	2.15	29.5	19.4	2.45	27.5	17.3	2.79	25.2	18.8	3.16
650	80	62	34.8	26.6	1.64	33.4	27.2	1.87	31.8	26.5	2.14	29.9	26.0	2.45	27.9	25.8	2.78	25.7	25.4	3.16
	80	67	38.0	24.3	1.61	36.6	24.2	1.86	34.8	23.4	2.13	32.8	22.8	2.43	30.6	22.1	2.77	28.1	21.3	3.16
	80	72	41.9	17.0	1.59	40.3	17.9	1.84	38.4	17.3	2.12	36.3	17.0	2.42	33.9	17.0	2.76	31.2	16.9	3.14
	75	63	35.3	21.4	1.63	33.9	22.0	1.87	32.3	21.3	2.14	30.4	20.9	2.44	28.3	20.7	2.78	25.9	20.3	3.16
750	80	62	35.7	28.9	1.62	34.3	29.1	1.87	32.6	28.4	2.14	30.7	28.1	2.44	28.7	27.6	2.78	26.7	26.6	3.16
	80	67	39.0	25.9	1.61	37.4	25.6	1.85	35.7	24.8	2.13	33.6	24.2	2.43	31.3	23.5	2.77	28.7	22.8	3.14
	80	72	42.8	18.3	1.59	41.2	18.8	1.84	39.3	18.2	2.11	37.0	18.1	2.43	34.4	17.9	2.76	31.7	17.9	3.14
	75	63	36.2	23.1	1.62	34.8	23.3	1.87	33.1	22.6	2.14	31.1	22.4	2.44	28.9	22.0	2.78	26.5	21.7	3.16

P5RF-X48KA HIGH SPEED - COOLING -

O.D.T			65 °F			75 °F			85 °F			95 °F			105 °F			115 °F		
CFM	E.D.B.	E.W.B.	T.C.	S.C.	K.W.	T.C.	S.C.	K.W.	T.C.	S.C.	K.W.	T.C.	S.C.	K.W.	T.C.	S.C.	K.W.	T.C.	S.C.	K.W.
1250	80	62	49.4	38.3	2.79	47.4	38.0	3.06	45.2	38.1	3.36	42.7	37.4	3.72	40.05	39.29	4.14	37.37	36.66	4.63
	80	67	53.8	30.9	2.83	51.6	30.7	3.10	49.1	31.0	3.41	46.4	30.3	3.78	43.47	29.69	4.20	40.45	27.68	4.70
	80	72	58.2	24.0	2.87	55.8	23.9	3.15	53.1	24.3	3.46	50.1	23.7	3.83	46.99	23.20	4.26	43.69	23.64	4.75
	75	63	50.0	30.7	2.80	48.0														

COOLING EXPANDED RATINGS (CONTINUED)

P5RF-X48KA LOW SPEED - COOLING -

O.D.T			65°F			75°F			85°F			95°F			105°F			115°F		
CFM	E.D.B.	E.W.B.	T.C.	S.C.	K.W.	T.C.	S.C.	K.W.	T.C.	S.C.	K.W.	T.C.	S.C.	K.W.	T.C.	S.C.	K.W.	T.C.	S.C.	K.W.
900	80	62	35.5	27.8	1.61	34.1	27.6	1.86	32.4	27.7	2.13	30.4	27.1	2.42	28.28	27.80	2.76	26.22	25.78	3.13
	80	67	38.9	22.7	1.60	37.4	22.6	1.84	35.5	22.8	2.11	33.4	22.2	2.41	31.07	21.75	2.74	28.46	20.08	3.12
	80	72	58.2	24.0	2.87	43.5	18.8	1.57	41.8	19.3	1.82	39.8	18.9	2.10	37.43	18.58	2.40	34.83	18.95	2.74
	75	63	36.1	22.2	1.61	34.7	22.0	1.85	32.9	22.1	2.12	30.9	21.5	2.42	28.67	19.18	2.76	26.20	20.92	3.13
1000	80	62	36.4	29.8	1.61	35.0	30.4	1.85	33.2	29.6	2.12	31.2	29.2	2.42	29.27	28.28	2.75	27.22	26.99	3.13
	80	67	39.8	24.1	1.59	38.2	24.9	1.83	36.3	24.2	2.11	34.1	23.9	2.41	31.67	23.71	2.75	28.99	23.48	3.12
	80	72	59.3	25.3	2.88	44.3	20.7	1.57	42.5	20.2	1.82	40.4	20.0	2.09	38.02	20.11	2.40	35.36	20.13	2.73
	75	63	37.0	23.5	1.61	35.5	24.2	1.85	33.6	23.5	2.12	31.6	23.1	2.42	29.24	22.82	2.75	26.70	22.49	3.13
1100	80	62	37.2	32.1	1.61	35.7	32.3	1.85	34.0	31.5	2.12	32.2	30.6	2.42	30.26	29.23	2.75	28.12	28.00	3.12
	80	67	40.5	25.9	1.59	38.9	26.3	1.83	36.9	25.6	2.11	34.7	25.5	2.41	32.20	25.14	2.74	29.48	25.03	3.11
	80	72	42.6	18.0	1.58	41.0	18.4	1.82	39.0	17.8	2.10	36.8	17.7	2.40	34.26	17.46	2.74	31.44	17.46	3.11
	75	63	37.7	25.2	1.60	36.1	25.5	1.85	34.2	24.8	2.12	32.1	24.5	2.42	29.74	24.16	2.75	27.14	23.94	3.13

P5RF-X60KA HIGH SPEED - COOLING -

O.D.T			65 °F			75 °F			85 °F			95 °F			105 °F			115 °F		
CFM	E.D.B.	E.W.B.	T.C.	S.C.	K.W.	T.C.	S.C.	K.W.	T.C.	S.C.	K.W.	T.C.	S.C.	K.W.	T.C.	S.C.	K.W.	T.C.	S.C.	K.W.
1500	80	62	57.2	48.8	3.48	54.9	48.2	3.80	52.5	48.0	4.16	49.8	46.7	4.57	46.8	45.7	5.05	43.5	43.5	5.59
	80	67	62.0	40.8	3.55	59.5	39.8	3.87	56.8	38.7	4.23	53.8	37.5	4.65	50.4	36.2	5.12	46.6	34.8	5.67
	80	72	67.5	32.6	3.63	64.8	31.6	3.95	61.7	30.6	4.32	58.4	29.4	4.74	54.7	28.2	5.22	50.5	26.8	5.76
	75	63	57.9	39.7	3.49	55.6	38.7	3.82	53.1	37.6	4.17	50.3	36.4	4.59	47.1	35.1	5.06	43.6	33.6	5.60
1650	80	62	58.4	51.6	3.50	56.1	51.5	3.82	53.5	50.8	4.18	50.8	49.9	4.59	47.8	47.8	5.08	44.8	44.8	5.62
	80	67	63.1	42.9	3.57	60.5	41.8	3.88	57.7	40.7	4.25	54.6	39.5	4.66	51.2	38.2	5.14	47.3	36.7	5.68
	80	72	68.5	33.9	3.65	65.7	32.9	3.97	62.7	31.8	4.33	59.2	30.7	4.75	55.3	29.4	5.23	51.0	28.0	5.77
	75	63	59.0	41.7	3.51	56.6	40.6	3.83	54.0	39.5	4.19	51.1	38.3	4.60	47.9	37.0	5.09	44.2	35.5	5.62
1800	80	62	59.5	54.9	3.51	57.1	54.3	3.83	54.6	53.9	4.19	51.9	51.9	4.61	49.1	49.1	5.10	45.9	45.9	5.65
	80	67	64.1	44.9	3.58	61.4	43.9	3.90	58.5	42.7	4.26	55.3	41.5	4.68	51.8	40.2	5.15	47.8	38.7	5.70
	80	72	69.4	35.2	3.67	66.5	34.2	3.98	63.3	33.1	4.35	59.8	31.9	4.76	55.9	30.6	5.24	51.5	29.2	5.78
	75	63	60.0	43.6	3.52	57.5	42.5	3.84	54.8	41.4	4.20	51.8	40.2	4.61	48.5	38.8	5.09	44.8	37.3	5.63

P5RF-X60KA LOW SPEED - COOLING -

O.D.T			65°F			75°F			85°F			95°F			105°F			115°F		
CFM	E.D.B.	E.W.B.	T.C.	S.C.	K.W.	T.C.	S.C.	K.W.	T.C.	S.C.	K.W.	T.C.	S.C.	K.W.	T.C.	S.C.	K.W.	T.C.	S.C.	K.W.
1000	80	62	41.1	34.0	2.09	39.3	33.6	2.37	37.2	33.4	2.68	34.8	32.3	3.03	32.2	31.4	3.42	29.6	29.6	3.86
	80	67	44.9	28.5	2.07	43.0	27.8	2.36	40.7	26.9	2.68	38.1	25.9	3.03	35.2	24.8	3.42	32.1	23.7	3.85
	80	72	49.1	23.0	2.06	47.0	22.2	2.34	44.5	21.4	2.67	41.8	20.4	3.02	38.7	19.4	3.41	35.3	18.3	3.85
	75	63	41.7	27.8	2.09	40.0	27.0	2.37	37.8	26.1	2.68	35.4	25.1	3.03	32.6	24.0	3.43	29.7	22.8	3.86
1100	80	62	42.0	36.0	2.09	40.2	36.0	2.37	38.0	35.4	2.68	35.6	34.7	3.03	33.1	33.1	3.42	30.6	30.6	3.85
	80	67	45.8	30.0	2.07	43.8	29.2	2.36	41.5	28.3	2.67	38.8	27.3	3.03	35.8	26.3	3.42	32.7	25.1	3.85
	80	72	50.0	23.9	2.06	47.9	23.1	2.34	45.2	22.3	2.67	42.4	21.3	3.02	39.2	20.3	3.41	35.8	19.2	3.85
	75	63	42.7	29.2	2.08	40.8	28.4	2.37	38.6	27.5	2.68	36.0	26.4	3.03	33.2	25.3	3.42	30.2	24.2	3.86
1200	80	62	42.8	38.4	2.08	41.0	38.0	2.37	38.8	37.8	2.68	36.4	36.4	3.03	34.0	34.0	3.42	31.5	31.5	3.85
	80	67	46.6	31.4	2.07	44.6	30.7	2.36	42.1	29.7	2.67	39.4	28.8	3.02	36.4	27.7	3.42	33.1	26.5	3.85
	80	72	50.8	24.8	2.06	48.6	24.0	2.35	45.9	23.1	2.66	43.0	22.2	3.02	39.7	21.1	3.42	36.2	20.0	3.85
	75	63	43.4	30.5	2.08	41.5	29.7	2.37	39.2	28.8	2.68	36.6	27.8	3.03	33.7	26.7	3.42	30.6	25.5	3.86



GENERAL TERMS OF LIMITED WARRANTY

Nortek Global HVAC LLC will furnish a replacement for any part of this product which fails in normal use and service within the terms and conditions of the warranty.

For complete details of the Limited Warranty, including applicable terms and conditions, see your local installer or contact the Nortek Global HVAC LLC warranty department for a copy.

Before purchasing this appliance, read important energy cost and efficiency information available from your retailer. Specifications and illustrations subject to change without notice and without incurring obligations. Printed in U.S.A (01/2015)