

TECHNICAL SPECIFICATIONS

GP7RD-A Series

Single Packaged Air Conditioner, Single Phase

GP7RD-A 13 SEER, R-410A

2 thru 5 Ton Units

Cooling: 24,000 to 56,000 Btuh

The GP7 Series single packaged air conditioners are high efficiency self contained cooling and heating units that can be installed on a slab. Units are ETL and ETLc listed.



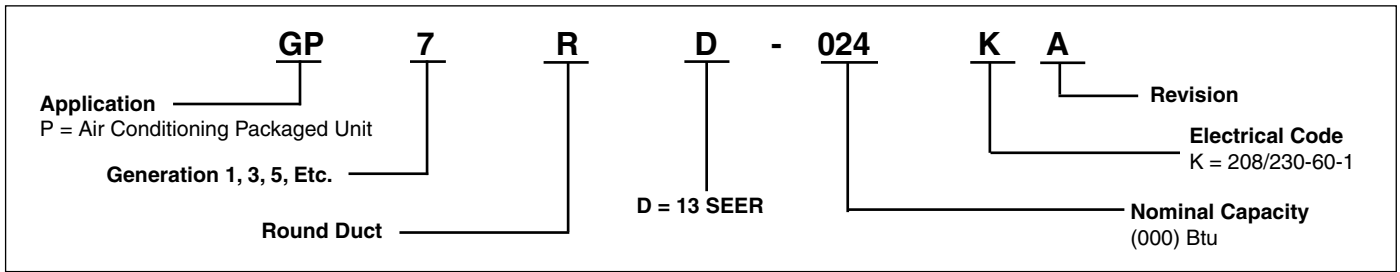
WARRANTY

- This product offers a 10-year all-parts warranty.
- This product offers a 1 Year Quality Pledge to replace the unit if the compressor fails in the first year of operation, to the original owner.
- Consumer product registration required for 10 year All Parts Warranty and Quality Pledge within a limited period of time after the installation. See current warranty document or visit our consumer web site for warranty details.

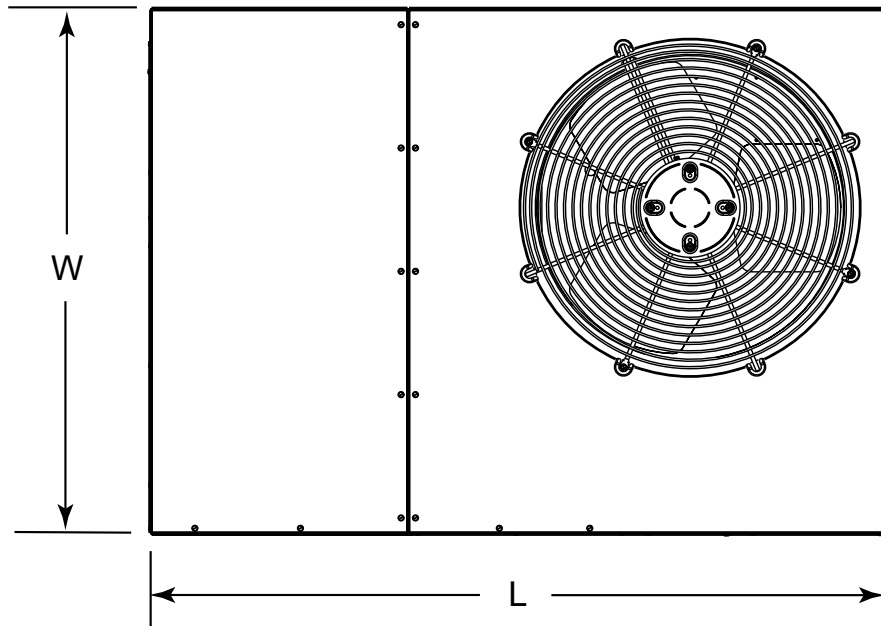
FEATURES and BENEFITS

- **Quality Compressor:** State of the art compressor is standard equipment.
- **R-410A Refrigerant:** Earth friendly non-ozone depleting refrigerant.
- **Hi Pressure Switches:** Ensure long compressor life.
- **Micro-Channel Coils:** Both indoor and outdoor all aluminum coils are designed to optimize heat transfer, minimize size and cost, and increase durability and reliability.
- **ECM Blower Motor:** Fixed torque energy efficient brushless DC ECM motor.
- **Permanently Lubricated Condenser Motor:** A heavy duty PSC motor for long lasting reliability and quiet operation. Requires no maintenance and is completely protected from rain and snow.
- **Low Voltage Transformer:** Includes 3 Amp fuse to protect low voltage circuit.
- **Liquid Line Filter Driers:** Factory installed at a convenient location for service.
- **Designed Using Galvanized Steel:** With a polyester urethane coat finish. The 950 hour salt spray finish is 1.5 mil thick and resists corrosion 50% better than comparable units.
- **Compact Footprint and Profile:** Make the P7 Series easy to install and transport.
- **0" Clearance:** To combustibles on duct side of the unit allows for installations in tight areas.
- **Plastic Mesh Hail Guard:** A guard that will never rust and protects the units coil from being damaged.
- **Raised Base Pan:** Allows water to drain away from the unit.
- **Easy Compressor and Control Access:** Designed to make servicing easier for the contractor, access panels are provided to all controls and the compressor from the side of the unit. Hi/low service ports allow access without disrupting operation.
- **Easy Access:** To the evaporator coil for cleaning and general maintenance.
- **Drain Trap:** Design optimizes drainage capabilities.
- **Removable Top Grille Assembly:** Allows ease of service to the fan motor.
- **Optional Electric Heat:** Field installed 5 – 20 KW.

MODEL IDENTIFICATION CODE



DIMENSIONS

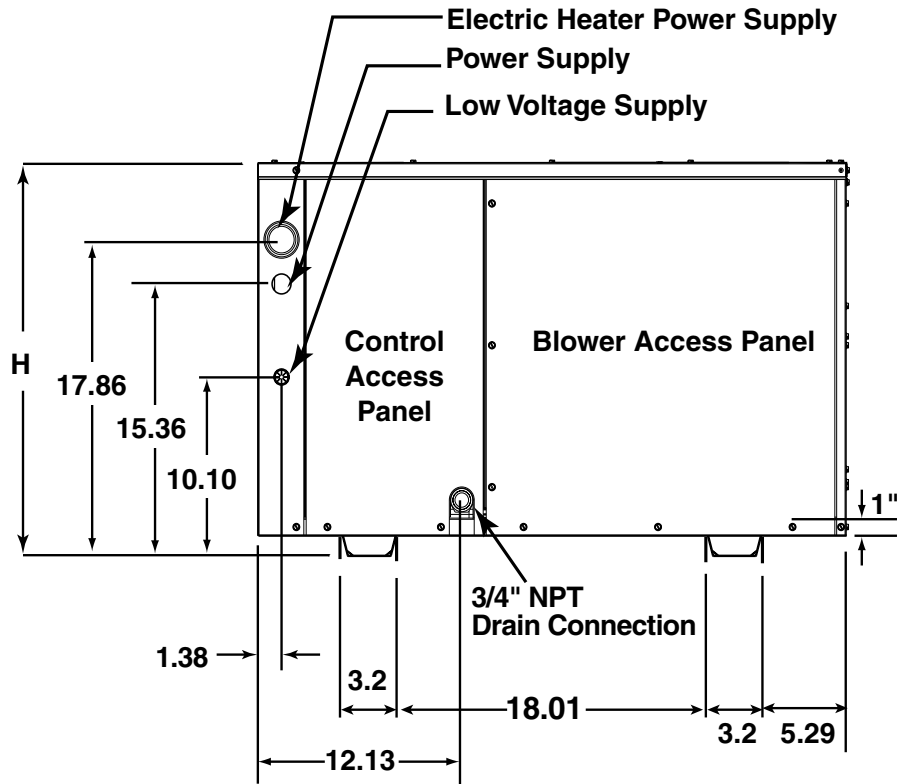


Top View

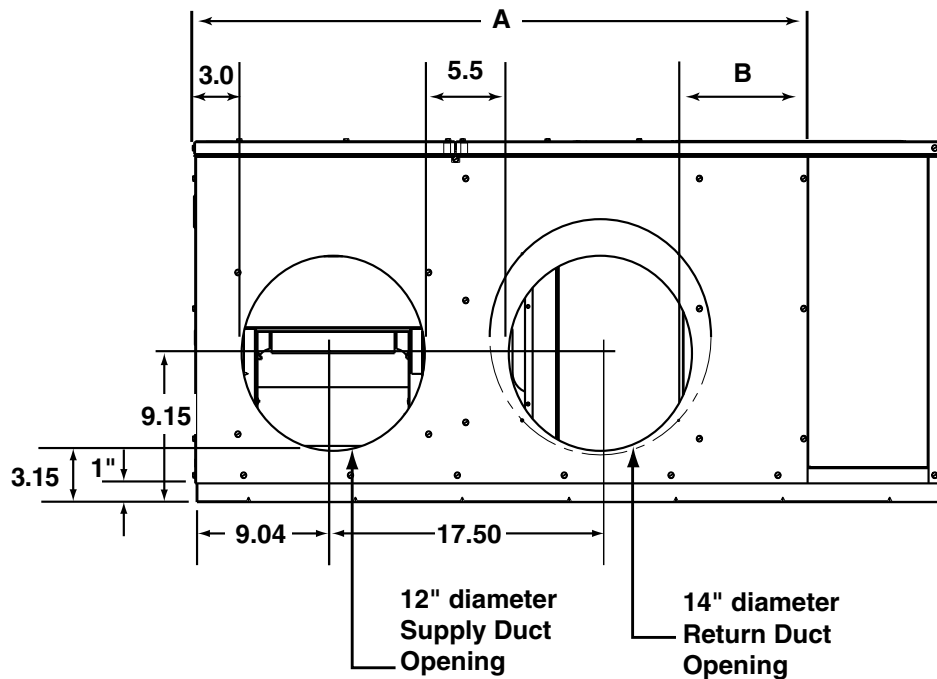
Model No. GP7RD-	(L) Length	(W) Width	(H) Height	A	B
024KA	49	35	22.2	35.02	2.48
030KA	49	35	22.2	35.02	2.48
036KA	49	35	30.2	35.02	2.48
042KA	49	35	30.2	35.02	2.48
048KA	49	35	30.2	35.02	2.48
060KA	49	35	34.2	35.02	2.48

Model Number GP7RD-	Return Diameter (in)	Supply Diameter (in)
024KA	12	12
030KA	12	12
036KA	14	12
042KA	14	12
048KA	14	12
060KA	14	12

DIMENSIONS Continued



Side View



Back (Duct) View

PHYSICAL SPECIFICATIONS

GP7RD-A Models

Model No. GP7RD-		024KA	030KA	036KA	042KA	048KA	060KA	
Performance Data	Cooling Btu/h	23800	28600	36000	40500	47000	56000	
	SEER	13	13	13	13	13	13	
	EER	10.8	10.6	11	11	11	10.8	
	Sound Ratings	73	73	76	76	78	78	
Electrical Data	Volts-Cycles-Phase (1)	208/230-60-1	208/230-60-1	208/230-60-1	208/230-60-1	208/230-60-1	208/230-60-1	
	Operating Voltage Range	187 - 253	187 - 253	187 - 253	187 - 253	187 - 253	187 - 253	
	Total Amps	14.4	14.9	19.9	26.9	31.2	37.9	
	Delay Fuse - Max. (2)	25	25	35	50	60	70	
	Min. Circuit Ampacity	16.8	17.4	23.7	31.9	37.3	45.3	
Condenser Data	Outdoor Coil	Face Area (SQ/FT)	8.95	8.95	12.54	12.54	12.54	14.1
		Type	MC-23	MC-23	MC-23	MC-23	MC-23	MC-21
	PSC Fan Motor	Fan Motor - Amps	1	1	1.1	1.5	1.5	1.5
		RPM	825	825	1100	1100	1100	1100
		HP	1/5	1/5	1/8	1/4	1/4	1/4
	Fan Blade	Dia - # Blades	20-3	20-3	20-3	20-3	20-3	20-3
		SCFM	2800	2800	2800	3000	3000	3000
	Compressor Data	RLA	9.6	10.1	15	20	24.3	29.4
		LRA	60.5	60	88	112	117	134
	Evaporator Data	Indoor Coil	Face Area (SQ/FT)	3.6	3.6	5.1	5.1	5.1
Type			MC-20	MC-20	MC-20	MC-20	MC-20	MC-20
Metering Device			Fixed Orifice	Fixed Orifice	Fixed Orifice	Fixed Orifice	Fixed Orifice	Fixed Orifice
ECM Blower		Amps	3.8	3.8	3.8	5.4	5.4	7
		RPM	1050	1050	1050	1050	1050	1050
		HP	1/2	1/2	1/2	3/4	3/4	1
		CFM @ ESP, WC	755 @ .30	925 @ .30	1190 @ .30	1500 @ .30	1535 @ .30	1820 @ .30
R410A Refrigerant Charge		Oz.	58	57	66	62	57	69
Approximate Weight (lbs.)		Shipping	244	249	280	297	301	317

(1) Operating Voltage Range: 187v min. - 253v max. Amperage and wire size based on refrigeration system only. See electrical data tables for supplemental electric heaters.

(2) HACR Type Circuit Breakers may be used.

(3) Airflow performance is with a dry coil.

ELECTRICAL DATA WITH ELECTRIC HEAT

Model	Heater kw	Single Circuit		Multiple Supply Circuit Option			
		MCA	MOP	Circuit A (Compressor, Blower & Fan)		Circuit B (Heater)	
				MCA	MOP	MCA	MOP
GP7RD-024KA	0	16.8	25	-	-	-	-
	5	29.8	30	-	-	-	-
	8	44.3	45	-	-	-	-
	10	54.8	60	-	-	-	-
GP7RD-030KA	0	17.4	25	-	-	-	-
	5	29.8	30	-	-	-	-
	8	44.3	45	-	-	-	-
	10	54.8	60	-	-	-	-
	15	79.8	80	54.8	60	25	30
GP7RD-036KA	0	23.7	35	-	-	-	-
	5	29.8	35	-	-	-	-
	8	44.3	45	-	-	-	-
	10	54.8	60	-	-	-	-
	15	79.8	80	54.8	60	25	30
GP7RD-042KA	0	31.9	50	-	-	-	-
	5	31.9	50				
	8	46.3	50				
	10	56.8	60				
	15	81.8	90	56.8	60	25	30
	20	106.8	110	56.8	60	50	60
GP7RD-048KA	0	37.3	60				
	5	37.3	60				
	8	46.3	60				
	10	56.8	60				
	15	81.8	90	56.8	60	25	30
	20	106.8	110	56.8	60	50	60
GP7RD-060KA	0	45.3	70				
	5	45.3	70				
	8	48.3	70				
	10	58.8	70				
	15	83.8	90	58.8	70	25	30
	20	108.8	110	58.8	70	50	60

BLOWER PERFORMANCE

Heat Rise Data (based on Nominal 10kw electric heater)

HEAT RISE DATA (Based on Nominal 10kw Electric Heat Kit)																	
UNIT	BLOWER SETTING	EXTERNAL STATIC PRESSURE DROP - INCHES WATER COLUMN															
		0.1		0.2		0.3		0.4		0.5		0.6		0.7		0.8	
		CFM	HEAT RISE	CFM	HEAT RISE	CFM	HEAT RISE	CFM	HEAT RISE	CFM	HEAT RISE	CFM	HEAT RISE	CFM	HEAT RISE	CFM	HEAT RISE
024KA	Tap T1*	840	38	800	39	755	42	710	44	650	49	600	53	550	57	505	63
	Tap T2	1010	31	965	33	925	34	885	36	845	37	790	40	735	43	690	46
	Tap T3**	1115	28	1080	29	1040	30	1000	32	965	33	925	34	875	36	820	39
	Tap T4	1205	26	1170	27	1130	28	1095	29	1055	30	1020	31	985	32	940	34
	Tap T5	1335	24	1300	24	1270	25	1230	26	1195	26	1160	27	1125	28	1090	29
030KA	Tap T1	840	38	800	39	755	42	710	44	650	49	600	53	550	57	505	63
	Tap T2*	1010	31	965	33	925	34	885	36	845	37	790	40	735	43	690	46
	Tap T3**	1115	28	1080	29	1040	30	1000	32	965	33	925	34	875	36	820	39
	Tap T4	1205	26	1170	27	1130	28	1095	29	1055	30	1020	31	985	32	940	34
	Tap T5	1335	24	1300	24	1270	25	1230	26	1195	26	1160	27	1125	28	1090	29
036KA	Tap T1	905	35	865	37	810	39	755	42	695	45	645	49	590	54	555	57
	Tap T2	1130	28	1090	29	1050	30	1000	32	950	33	895	35	835	38	790	40
	Tap T3*	1265	25	1225	26	1190	27	1145	28	1100	29	1045	30	995	32	940	34
	Tap T4**	1380	23	1340	24	1305	24	1270	25	1225	26	1180	27	1130	28	1080	29
	Tap T5	1540	21	1510	21	1475	21	1440	22	1405	22	1360	23	1320	24	1270	25
042KA	Tap T1	1410	22	1375	23	1340	24	1300	24	1265	25	1230	26	1200	26	1155	27
	Tap T2**	1485	21	1445	22	1420	22	1380	23	1340	24	1295	24	1265	25	1225	26
	Tap T3*	1625	19	1585	20	1545	20	1515	21	1475	21	1440	22	1400	23	1365	23
	Tap T4	1785	18	1745	18	1710	18	1685	19	1640	19	1610	20	1570	20	1530	21
	Tap T5	1965	16	1930	16	1895	17	1865	17	1830	17	1800	18	1760	18	1720	18
048KA	Tap T1**	1375	23	1345	23	1310	24	1275	25	1240	25	1205	26	1160	27	1120	28
	Tap T2	1470	21	1435	22	1400	23	1370	23	1335	24	1300	24	1260	25	1215	26
	Tap T3*	1600	20	1570	20	1535	21	1505	21	1470	21	1440	22	1400	23	1355	23
	Tap T4	1715	18	1680	19	1650	19	1620	20	1585	20	1545	20	1505	21	1470	21
	Tap T5	1895	17	1865	17	1830	17	1795	18	1760	18	1730	18	1695	19	1655	19
060KA	Tap T1**	1290	24	1255	25	1220	26	1185	27	1145	28	1110	28	1070	30	1035	31
	Tap T2	1645	19	1615	20	1580	20	1550	20	1520	21	1490	21	1440	22	1405	22
	Tap T3*	1885	17	1855	17	1820	17	1785	18	1755	18	1720	18	1685	19	1650	19
	Tap T4	2020	16	1985	16	1955	16	1920	16	1890	17	1850	17	1820	17	1785	18
	Tap T5	2185	14	2170	15	2160	15	2145	15	2130	15	2090	15	2055	15	2015	16

NOTES:

Temperature rises shaded gray are for reference only. These conditions are not recommended.

* Denotes factory set cooling speed

** Denotes factory set electric heating speed

Conversion	
KW/h to Btu/h	3412.1
KW/h	Btu/h
5	17060.7
8	27297.1
10	34121.4
15	51182.1
20	68242.8

Heat rise

$$\text{Btu/h} = \text{CFM} \times \Delta T \times 1.08$$

$$\Delta T = (\text{Btu/h}) / (\text{CFM} \times 1.08)$$

COPPER WIRE SIZE – AWG (1% Voltage Drop)				
Supply Wire Length-Feet				Supply Circuit Ampacity
200	150	100	50	
6	8	10	14	15
4	6	8	12	20
4	6	8	10	25
4	4	6	10	30
3	4	6	8	35
3	4	6	8	40
2	3	4	6	45
2	3	4	6	50

Wire Size based on N.E.C. for 60° type copper conductors.

ACCESSORIES

Heater Application Matrix

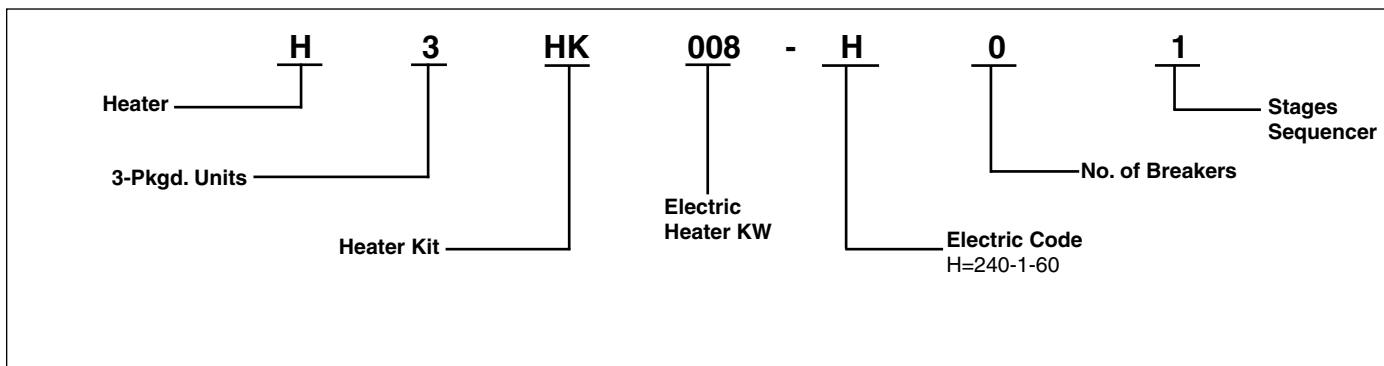
Model Number GP7RD-	H3HK-005H-01B 917166B	H3HK-008H-01B 917167B	H3HK-010H-01B 917168B	H3HK-015H-01B 917169B	H3HK-020H-01B 917170B	H3HK-015H-21B 917172B	H3HK-020H-21B 917173B
024KA	X	X	X	NA	NA	NA	NA
030KA	X	X	X	X(2)	NA	X	NA
036KA	X	X	X	X(2)	NA	X	NA
042KA	X	X	X	X(2)	X(2)	X	X
048KA	X	X	X	X(2)	X(2)	X	X
060KA	X	X	X	X(2)	X(2)	X	X

NA = Not Approved.

() = Number of internal circuit breaker kits required.

X = Branch circuit protection only.

MODEL IDENTIFICATION CODE



Accessories

Description	Part Number
4-Pole single circuit adaptor	913350
6-Pole single circuit adaptor	913556
Circuit Breaker Single Phase (2-pole)	913554
Extreme High Wind Kit - Ground Mount	920908
Duct Collar-12"	917701
Duct Collar-14"	917702

COOLING EXPANDED RATINGS

GP7RD-024KA

CFM	O.D.T.		65°F			75°F			85°F			95°F			105°F			115°F		
	E.D.B.	E.W.B.	T.C.	S.C.	K.W.	T.C.	S.C.	K.W.	T.C.	S.C.	K.W.	T.C.	S.C.	K.W.	T.C.	S.C.	K.W.	T.C.	S.C.	K.W.
750	80	62	26.1	21.2	1.5	24.8	20.7	1.7	23.2	20.0	1.8	21.4	19.1	2.0	19.3	18.0	2.2	17.0	16.8	2.5
	80	67	28.7	18.0	1.5	27.4	17.5	1.7	25.8	16.8	1.8	23.8	15.9	2.1	21.9	14.9	2.2	19.6	13.6	2.5
	80	72	30.3	13.6	1.5	29.0	13.1	1.7	27.4	12.4	1.9	25.6	11.5	2.1	23.6	10.4	2.3	21.3	9.2	2.5
	75	62	25.2	17.9	1.5	23.9	17.3	1.7	22.4	16.6	1.8	20.6	15.8	2.0	18.5	14.7	2.2	16.2	13.5	2.5
900	80	62	27.4	23.2	1.6	26.1	22.7	1.7	24.6	22.0	1.9	22.8	21.1	2.1	20.7	20.0	2.3	18.4	18.4	2.6
	80	67	30.0	20.0	1.6	28.7	19.5	1.7	27.2	18.8	1.9	25.4	17.9	2.1	23.3	16.9	2.3	21.0	15.6	2.6
	80	72	31.6	15.6	1.6	30.3	15.1	1.8	28.8	14.4	2.0	27.0	13.5	2.2	24.9	12.4	2.4	22.6	11.2	2.6
	75	62	26.6	19.9	1.6	25.3	19.3	1.7	23.7	18.6	1.9	21.9	17.8	2.1	19.9	16.7	2.3	17.5	15.5	2.6
1150	80	62	28.0	24.2	1.5	26.7	23.7	1.7	25.2	23.0	1.9	23.4	22.2	2.1	21.3	21.1	2.3	19.0	19.0	2.5
	80	67	30.6	21.1	1.5	29.3	20.6	1.7	27.8	19.9	1.9	26.0	19.0	2.1	23.9	17.9	2.3	21.6	16.7	2.5
	80	72	32.2	16.6	1.6	31.0	16.1	1.7	29.4	15.4	1.9	27.6	14.6	2.1	25.5	13.5	2.3	23.2	12.3	2.6
	75	62	27.2	20.9	1.5	25.9	20.4	1.7	24.3	19.7	1.9	22.5	18.8	2.1	20.5	17.8	2.3	18.1	16.5	2.5

GP7RD-030KA

CFM	O.D.T.		65°F			75°F			85°F			95°F			105°F			115°F		
	E.D.B.	E.W.B.	T.C.	S.C.	K.W.	T.C.	S.C.	K.W.	T.C.	S.C.	K.W.	T.C.	S.C.	K.W.	T.C.	S.C.	K.W.	T.C.	S.C.	K.W.
800	80	62	32.9	26.4	1.7	31.6	25.6	1.9	30.0	24.7	2.1	27.9	23.7	2.3	25.5	22.7	2.6	22.7	21.5	2.8
	80	67	36.7	22.1	1.7	35.4	21.3	1.9	33.8	20.4	2.1	31.7	19.4	2.4	29.3	18.3	2.6	26.4	17.2	2.8
	80	72	38.1	17.4	1.8	36.9	16.6	2.0	35.2	15.7	2.2	33.1	14.7	2.4	30.7	13.6	2.6	27.9	12.5	2.9
	75	62	32.1	22.2	1.7	30.8	21.4	1.9	29.1	20.5	2.1	27.1	19.5	2.3	24.6	18.4	2.6	21.8	17.3	2.8
950	80	62	31.0	27.8	1.8	29.7	26.9	2.0	28.0	26.0	2.2	26.0	25.1	2.4	23.5	23.5	2.7	20.7	20.7	2.9
	80	67	34.8	23.4	1.8	33.5	22.6	2.0	31.8	21.7	2.2	28.6	20.7	2.5	27.3	19.7	2.7	24.5	18.5	2.9
	80	72	36.2	18.7	1.9	34.9	17.9	2.1	33.2	17.0	2.3	31.2	16.0	2.5	28.8	15.0	2.7	25.9	13.8	2.9
	75	62	30.1	23.6	1.8	28.9	22.7	2.0	27.2	21.8	2.2	25.1	20.9	2.4	22.7	19.8	2.6	19.9	18.6	2.9
1100	80	62	31.7	28.7	1.9	30.5	27.9	2.1	28.8	27.0	2.3	26.8	26.0	2.5	24.3	24.3	2.7	21.5	21.5	3.0
	80	67	35.5	24.4	1.9	34.3	23.6	2.1	32.6	22.7	2.3	30.5	21.7	2.5	28.1	20.7	2.7	25.3	19.5	3.0
	80	72	37.0	19.7	1.9	35.7	18.9	2.1	34.0	18.0	2.3	32.0	17.0	2.6	29.5	15.9	2.8	26.7	14.8	3.0
	75	62	30.9	24.5	1.9	29.6	23.7	2.1	28.0	22.8	2.3	25.9	21.8	2.5	23.5	20.8	2.7	20.6	19.6	2.9

GP7RD-036KA

CFM	O.D.T.		65°F			75°F			85°F			95°F			105°F			115°F		
	E.D.B.	E.W.B.	T.C.	S.C.	K.W.	T.C.	S.C.	K.W.	T.C.	S.C.	K.W.	T.C.	S.C.	K.W.	T.C.	S.C.	K.W.	T.C.	S.C.	K.W.
1050	80	62	40.4	32.3	2.1	38.1	31.4	2.4	35.5	30.6	2.6	32.8	29.8	2.9	29.8	28.9	3.3	26.6	26.6	3.6
	80	67	44.2	28.2	2.2	41.9	27.4	2.4	39.3	26.5	2.7	36.6	25.7	3.0	33.6	24.8	3.3	30.4	23.9	3.7
	80	72	47.1	21.9	2.2	44.7	21.1	2.5	42.2	20.3	2.7	39.4	19.4	3.0	36.4	18.5	3.3	33.2	17.7	3.7
	75	62	39.9	26.6	2.2	37.5	25.8	2.4	35.0	24.9	2.6	32.2	24.1	2.9	29.2	23.2	3.3	26.1	22.3	3.6
1200	80	62	40.5	34.6	2.2	38.1	33.8	2.4	35.6	33.0	2.7	32.8	32.1	3.0	29.8	29.8	3.3	26.6	26.6	3.7
	80	67	44.3	30.6	2.3	42.0	29.7	2.5	39.4	28.9	2.8	36.0	28.1	3.0	33.7	27.2	3.4	30.5	26.3	3.7
	80	72	47.1	24.3	2.3	44.8	23.5	2.5	42.2	22.6	2.8	39.5	21.8	3.1	36.5	20.9	3.4	33.3	20.0	3.8
	75	62	39.9	28.9	2.2	37.6	28.1	2.4	35.0	27.3	2.7	32.3	26.4	3.0	29.3	25.6	3.3	26.1	24.7	3.7
1350	80	62	41.5	34.4	2.2	39.1	33.6	2.5	36.6	32.8	2.7	33.8	31.9	3.0	30.8	30.8	3.4	27.6	27.6	3.7
	80	67	45.3	30.3	2.3	43.0	29.5	2.5	40.4	28.7	2.8	37.6	27.8	3.1	34.7	27.0	3.4	31.5	26.1	3.8
	80	72	48.1	24.1	2.3	45.8	23.3	2.5	43.2	22.4	2.8	40.5	21.6	3.1	37.5	20.7	3.4	34.3	19.8	3.8
	75	62	40.9	28.7	2.2	38.6	27.9	2.5	36.0	27.1	2.7	33.3	26.2	3.0	30.3	25.3	3.4	27.1	24.5	3.7

COOLING EXPANDED RATINGS (CONTINUED)

GP7RD-042KA

O.D.T.			65°F			75°F			85°F			95°F			105°F			115°F		
CFM	E.D.B.	E.W.B.	T.C.	S.C.	K.W.	T.C.	S.C.	K.W.	T.C.	S.C.	K.W.	T.C.	S.C.	K.W.	T.C.	S.C.	K.W.	T.C.	S.C.	K.W.
1350	80	62	42.9	34.5	2.5	41.2	33.9	2.8	39.1	33.0	3.1	36.5	31.9	3.4	33.4	30.5	3.8	29.8	29.0	4.3
	80	67	47.7	29.5	2.5	46.0	28.8	2.8	43.8	27.9	3.1	41.2	26.8	3.5	38.1	25.4	3.9	34.5	23.9	4.3
	80	72	50.5	23.4	2.6	48.8	22.7	2.8	46.7	21.8	3.2	44.0	20.7	3.5	40.9	19.4	3.9	37.4	17.8	4.3
	75	62	41.9	29.6	2.5	40.2	28.9	2.8	38.0	28.0	3.1	35.4	26.9	3.4	32.3	25.6	3.8	28.8	24.0	4.3
1500	80	62	42.2	35.3	2.5	40.5	34.6	2.8	38.4	33.7	3.1	35.8	32.6	3.4	32.7	31.3	3.8	29.1	29.1	4.3
	80	67	47.0	30.2	2.5	45.3	29.5	2.8	43.1	28.6	3.1	40.5	27.5	3.5	37.4	26.2	3.9	33.8	24.6	4.3
	80	72	49.8	24.1	2.6	48.1	23.5	2.8	46.0	22.6	3.2	43.3	21.5	3.5	40.2	20.1	3.9	36.7	18.6	4.3
	75	62	41.2	30.3	2.5	39.5	29.7	2.8	37.4	28.8	3.1	34.7	27.7	3.5	31.6	26.3	3.8	28.1	24.7	4.3
1650	80	62	44.0	35.9	2.6	42.3	35.2	2.9	40.1	34.3	3.2	37.5	33.2	3.6	34.4	31.9	4.0	30.8	30.3	4.4
	80	67	48.7	30.8	2.7	47.0	30.1	2.9	44.9	29.3	3.3	42.3	28.1	3.6	39.2	26.8	4.0	35.6	25.2	4.4
	80	72	51.6	24.7	2.7	49.9	24.1	3.0	47.7	23.2	3.3	45.1	22.1	3.6	42.0	20.7	4.0	38.4	19.2	4.5
	75	62	43.0	30.9	2.6	41.3	30.3	2.9	39.1	29.4	3.2	36.5	28.3	3.6	33.4	26.9	4.0	29.8	25.3	4.4

GP7RD-048KA

O.D.T.			65°F			75°F			85°F			95°F			105°F			115°F		
CFM	E.D.B.	E.W.B.	T.C.	S.C.	K.W.	T.C.	S.C.	K.W.	T.C.	S.C.	K.W.	T.C.	S.C.	K.W.	T.C.	S.C.	K.W.	T.C.	S.C.	K.W.
1450	80	62	54.0	41.9	2.6	51.7	40.3	2.8	48.7	38.6	3.2	45.1	36.8	3.6	40.9	35.0	4.1	36.1	33.0	4.7
	80	67	59.1	35.0	2.6	56.8	33.4	2.8	53.9	31.7	3.2	50.3	29.9	3.6	46.1	28.0	4.1	41.2	26.1	4.7
	80	72	63.4	27.7	2.7	61.1	26.0	3.0	58.2	24.3	3.3	54.6	22.5	3.7	50.4	20.7	4.2	45.5	18.7	4.8
	75	62	52.9	35.6	2.6	50.6	34.0	2.9	47.6	32.3	3.2	44.0	30.5	3.6	39.8	28.7	4.1	35.0	26.7	4.7
1600	80	62	52.0	46.2	3.1	49.7	44.5	3.3	46.8	42.8	3.7	43.2	41.1	4.1	39.0	39.0	4.6	34.1	34.1	5.2
	80	67	57.2	39.2	3.1	54.9	37.6	3.3	51.9	35.9	3.6	47.0	34.1	4.1	44.1	32.3	4.6	39.3	30.3	5.2
	80	72	61.5	31.9	3.2	59.2	30.3	3.4	56.2	28.5	3.8	52.6	26.8	4.2	48.4	24.9	4.7	43.6	23.0	5.3
	75	62	50.9	39.9	3.1	48.6	38.2	3.3	45.7	36.5	3.7	42.1	34.7	4.1	37.9	32.9	4.6	33.1	30.9	5.2
1750	80	62	52.0	46.8	3.2	49.7	45.2	3.4	46.7	43.5	3.7	43.2	41.7	4.2	39.0	39.0	4.7	34.1	34.1	5.3
	80	67	57.1	39.9	3.2	54.8	38.2	3.4	51.9	36.5	3.7	48.3	34.8	4.2	44.1	32.9	4.7	39.3	30.9	5.3
	80	72	61.4	32.5	3.3	59.1	30.9	3.5	56.2	29.2	3.9	52.6	27.4	4.3	48.4	25.5	4.8	43.5	23.6	5.4
	75	62	50.9	40.5	3.2	48.6	38.9	3.4	45.6	37.2	3.8	42.1	35.4	4.2	37.9	33.5	4.7	33.0	31.6	5.3

GP7RD-060KA

O.D.T.			65°F			75°F			85°F			95°F			105°F			115°F		
CFM	E.D.B.	E.W.B.	T.C.	S.C.	K.W.	T.C.	S.C.	K.W.	T.C.	S.C.	K.W.	T.C.	S.C.	K.W.	T.C.	S.C.	K.W.	T.C.	S.C.	K.W.
1650	80	62	57.8	47.1	3.4	55.3	45.8	3.8	52.2	44.1	4.2	48.3	42.0	4.7	43.7	39.5	5.3	38.3	36.6	5.9
	80	67	66.5	39.7	3.5	64.1	38.4	3.9	60.9	36.7	4.3	57.0	34.6	4.8	52.4	32.1	5.4	47.0	29.2	6.0
	80	72	67.4	32.1	3.6	64.9	30.8	3.9	61.8	29.1	4.4	57.9	27.0	4.9	53.3	24.5	5.4	47.9	21.6	6.1
	75	62	55.5	41.9	3.4	53.1	40.6	3.7	50.0	38.9	4.2	46.1	36.8	4.7	41.4	34.3	5.2	36.0	31.4	5.9
1800	80	62	55.0	49.4	3.6	52.6	48.1	3.9	49.5	46.4	4.3	45.6	44.3	4.9	40.9	40.9	5.4	35.5	35.5	6.1
	80	67	63.7	42.0	3.7	61.3	40.7	4.0	58.2	39.0	4.4	56.0	36.9	4.9	49.6	34.4	5.5	44.3	31.5	6.2
	80	72	64.6	34.4	3.7	62.2	33.1	4.1	59.1	31.4	4.5	55.2	29.3	5.0	50.5	26.8	5.6	45.1	23.9	6.2
	75	62	52.8	44.1	3.6	50.4	42.8	3.9	47.2	41.1	4.3	43.3	39.0	4.8	38.7	36.5	5.4	33.3	33.3	6.1
1950	80	62	57.7	48.9	3.7	55.3	47.6	4.0	52.1	45.9	4.5	48.2	43.8	5.0	43.6	41.3	5.5	38.2	38.2	6.2
	80	67	66.4	41.5	3.8	64.0	40.2	4.1	60.9	38.5	4.5	57.0	36.4	5.0	52.3	33.9	5.6	46.9	31.0	6.3
	80	72	67.3	33.9	3.9	64.9	32.6	4.2	61.7	30.9	4.6	57.8	28.8	5.1	53.2	26.3	5.7	47.8	23.4	6.4
	75	62	55.5	43.6	3.7	53.0	42.3	4.0	49.9	40.6	4.4	46.0	38.5	4.9	41.4	36.0	5.5	36.0	33.1	6.2



We Encourage Professionalism



GENERAL TERMS OF LIMITED WARRANTY

Nortek Global HVAC LLC will furnish a replacement for any part of this product which fails in normal use and service within the terms and conditions of the warranty.

For complete details of the Limited Warranty, including applicable terms and conditions, see your local installer or contact the Nortek Global HVAC LLC warranty department for a copy.

Before purchasing this appliance, read important energy cost and efficiency information available from your retailer. Specifications and illustrations subject to change without notice and without incurring obligations. Printed in U.S.A (01/2015)